

**BALDOR • RELIANCE**

---

# Customer information packet

## EM2551T-8

75HP, 1780RPM, 3PH, 60HZ, 365T, A36056M, DP, F1

Class - None

Division - Not Applicable

## Specifications

Enclosure	DP
Frame	365T
Frame Material	Iron
Frequency	60.00 Hz
Haz Area Class and Group	None
Haz Area Division	Not Applicable
Motor Letter Type	Three Phase
Output @ Frequency	75.000 HP @ 60 HZ
Phase	3
Synchronous Speed @ Frequency	1800 RPM @ 60 HZ
Voltage @ Frequency	200.0 V @ 60 HZ
Agency Approvals	CCSAUSEEV
Ambient Temperature	40 °C
Auxillary Box	No Auxillary Box
Base Indicator	Rigid
Bearing Grease Type	Polyrex EM (-20F +300F)
Current @ Voltage	198.950 A @ 200.0 V
Design Code	B
Drip Cover	No Drip Cover
Duty Rating	CONT
Efficiency @ 100% Load	95.0 %
Feedback Device	NO FEEDBACK
Heater Indicator	No Heater
High Voltage Full Load Amps	199.0 a
Insulation Class	F
Inverter Code	Inverter Ready
KVA Code	G
Lifting Lugs	No Lifting Lugs
Motor Lead Quantity/Wire Size	6 @ 2 AWG
Motor Standards	Other
Motor Type	A36056M
Mounting Arrangement	F1

## Part detail

Revision	K
Type	AC
Mech. spec.	
Base	
Status	PRD/A
Elec. spec.	A36WG1039
Layout	617428-130
Eff. date	02-07-2023
CD Diagram	416820-015
Poles	04
Leads	6#2
Proprietary	False
Created date	09-23-2011

<b>Number of Poles</b>	4
<b>Overall Length</b>	29.70 IN
<b>Power Factor</b>	86
<b>Product Family</b>	Other
<b>Pulley End Bearing Type</b>	Ball
<b>Pulley Face Code</b>	Standard
<b>Service Factor</b>	1.15
<b>Shaft Diameter</b>	2.374 IN
<b>Shaft Ground Indicator</b>	No Shaft Grounding
<b>Shaft Rotation</b>	Reversible
<b>Shaft Slinger Indicator</b>	Shaft Slinger
<b>Speed</b>	1780 rpm
<b>Speed Code</b>	Single Speed
<b>Starting Method</b>	Part Winding
<b>Thermal Device - Bearing</b>	None
<b>Thermal Device - Winding</b>	None

**Nameplate**

**NP2377L**

<b>CAT.NO.</b>	EM2551T-8	<b>SPEC NO.</b>	P36G3422						
<b>HP</b>	75	<b>AMPS</b>	199	<b>VOLTS</b>	200	<b>DESIGN</b>	B		
<b>FRAME</b>	365T	<b>RPM</b>	1780	<b>HZ</b>	60	<b>AMB</b>	40	<b>SF</b>	1.15
<b>DRIVE END BEARING</b>	65BC03J30X	<b>PHASE</b>	3	<b>DUTY</b>	CONT	<b>INSUL.CLASS</b>	B		
<b>OPP D.E. BEARING</b>	65BC03J30X	<b>TYPE</b>	P	<b>ENCL</b>	DP	<b>CODE</b>	G		
<b>SER.NO.</b>		<b>POWER FACTOR</b>	86	<b>NEMA-NOM-EFFICIENCY</b>	95				
		<b>MAX CORR KVAR</b>	15	<b>GUARANTEED EFFICIENCY</b>	94.5				
		<b>NEMA NOM/CSA QUOTED EFF</b>							
		<b>MOTOR WEIGHT</b>							

---

**NP2496L**

---



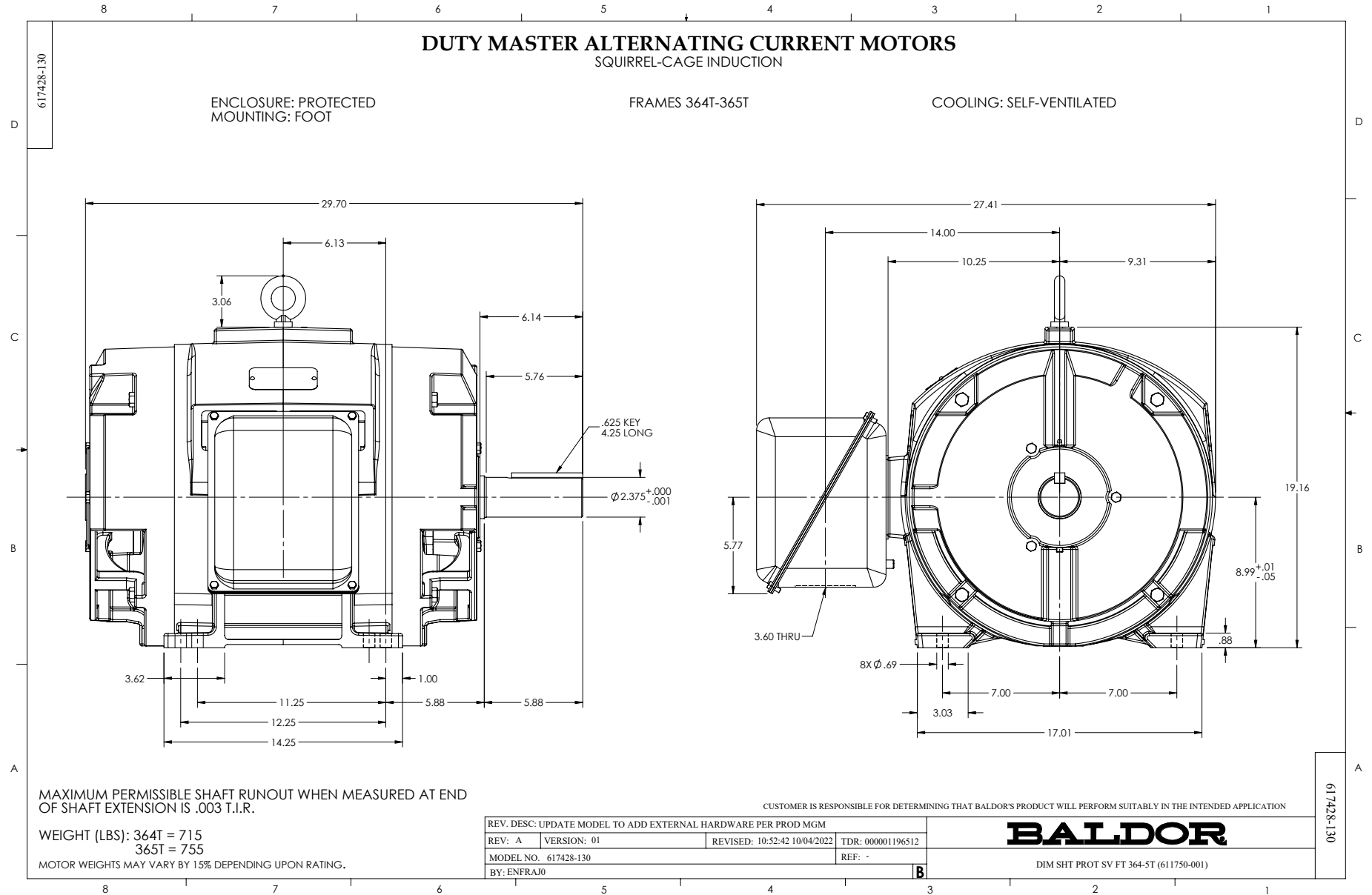
**Accessories**

<b>Part number</b>	<b>Description</b>	<b>Multiplier</b>
14-1401	C FACE KIT	A8
14EP1601A01SP	D-FLANGE KIT	



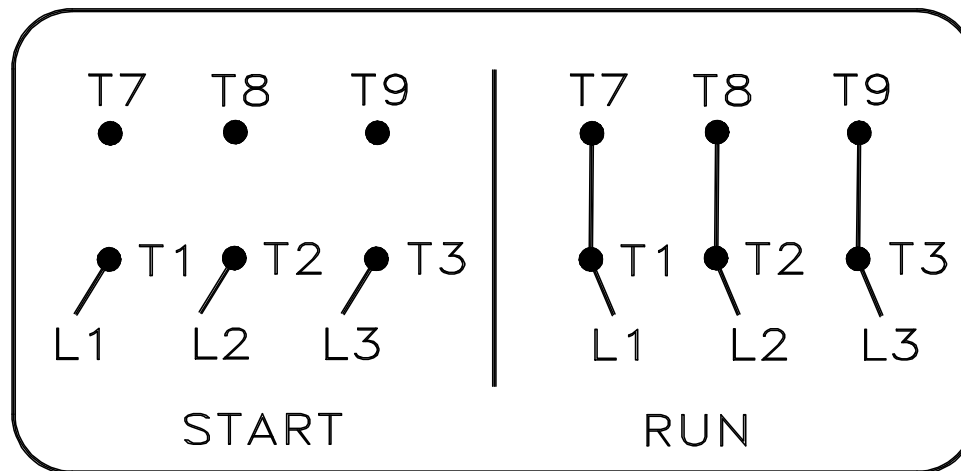






416820-015

# A-C MOTOR CONNECTION DIAGRAM PART WINDING START



(N.P. 1767-1-A)

REV. DESC: -ADDED JUMPERS TO "RUN" CONNECTIONS		
REV. LTR: A	VERSION: 01	TDR: 00000558689
FILE: \MGA\00000\668	REVISED: 09:44:55 09/20/2010	
MTL: -	BY: MGH TLC	

**BALDOR**

CONN DIAG - PART WINDING START  
SH 1 of 1

416820-015