

**BALDOR® • RELIANCE™**

---

# Customer information packet

## EM2550T

100HP, 3540RPM, 3PH, 60HZ, 365TS, 4266M, OPSB

## Specifications

Enclosure	OPSB
Frame	365TS
Frame Material	Steel
Frequency	60.00 Hz
Motor Letter Type	Three Phase
Output @ Frequency	100.000 HP @ 60 HZ
Phase	3
Synchronous Speed @ Frequency	3600 RPM @ 60 HZ
Voltage @ Frequency	460.0 V @ 60 HZ 230.0 V @ 60 HZ
Agency Approvals	CSA EEV NEMA PREMIUM NEMA_PREMIUM UR
Ambient Temperature	40 °C
Auxillary Box	No Auxillary Box
Auxillary Box Lead Termination	None
Base Indicator	Rigid
Bearing Grease Type	Polyrex EM (-20F +300F)
Blower	None
Current @ Voltage	244.000 A @ 208.0 V 220.000 A @ 230.0 V 110.000 A @ 460.0 V
Design Code	A
Drip Cover	No Drip Cover
Duty Rating	CONT
Efficiency @ 100% Load	93.6 %
Electrically Isolated Bearing	Not Electrically Isolated
Feedback Device	NO FEEDBACK
Front Face Code	Standard
Front Shaft Indicator	None
Heater Indicator	No Heater

## Part detail

Revision	R
Type	AC
Mech. spec.	42E212
Base	
Status	PRD/A
Elec. spec.	42WGW937
Layout	42LYE212
Eff. date	11-29-2023
CD Diagram	CD0180
Poles	02
Leads	9#4
Proprietary	False
Created date	05-14-2012

High Voltage Full Load Amps	110.0 a
Insulation Class	F
Inverter Code	Inverter Ready
KVA Code	G
Lifting Lugs	Standard Lifting Lugs
Locked Bearing Indicator	Locked Bearing
Motor Lead Exit	Ko Box
Motor Lead Quantity/Wire Size	9 @ 4 AWG
Motor Lead Termination	Flying Leads
Motor Standards	NEMA
Motor Type	4266M
Mounting Arrangement	F1
Number of Poles	2
Overall Length	27.81 IN
Power Factor	91
Product Family	General Purpose
Pulley End Bearing Type	Ball
Pulley Face Code	Standard
Pulley Shaft Indicator	Standard
Rodent Screen	None
Service Factor	1.15
Shaft Diameter	1.875 IN
Shaft Extension Location	Pulley End
Shaft Ground Indicator	No Shaft Grounding
Shaft Rotation	Reversible
Shaft Slinger Indicator	No Slinger
Speed	3540 rpm
Speed Code	Single Speed
Starting Method	Direct on line
Thermal Device - Bearing	None
Thermal Device - Winding	None
Vibration Sensor Indicator	No Vibration Sensor
Winding Thermal 1	None
Winding Thermal 2	None

**Nameplate**

**NP2138LUA**

<b>CAT.NO.</b>	EM2550T	<b>P/N</b>		<b>ENCLOSURE</b>	OPSB
<b>SPEC.</b>	42E212W937	<b>CC</b>	010A	<b>FRAME</b>	365TS
<b>HP</b>	100	<b>CLASS</b>	F	<b>HZ</b>	60
<b>RPM</b>	3540	<b>PH</b>	3	<b>DES</b>	A
<b>VOLT</b>	230/460	<b>KVA-CODE</b>	G	<b>ODE BRG</b>	6311
<b>AMP</b>	220/110	<b>DE BRG</b>			6313
<b>RATING</b>	40C AMB-CONT	<b>GREASE</b>	POLYREX EM		
<b>NEMA-NOM-EFF</b>	93.6	<b>PF</b>	91	<b>SER.F.</b>	1.15
	50Hz 100Hp 190/380V 270/135A			SF 1.0	
<b>HTR-VOLTS</b>		<b>HTR-AMPS</b>			

**Accessories**

<b>Part number</b>	<b>Description</b>	<b>Multiplier</b>
42-1400	C FACE KIT	A8

**AC Induction Motor Performance Data**

Record # 38382

Typical performance - not guaranteed values

Winding: 42WGW937-R001		Type: 4266M	Enclosure: OPSB
<b>Nameplate Data</b>		<b>460 V, 60 Hz: High Voltage Connection</b>	
Rated Output (HP)	100	Full Load Torque	148 LB-FT
Volts	230/460	Start Configuration	direct on line
Full Load Amps	220/110	Breakdown Torque	483 LB-FT
R.P.M.	3540	Pull-up Torque	172 LB-FT
Hz	60 Phase	Locked-rotor Torque	245 LB-FT
NEMA Design Code	B KVA Code	Starting Current	771 A
Service Factor (S.F.)	1.15	No-load Current	23.5 A
NEMA Nom. Eff.	93.6 Power Factor	Line-line Res. @ 25°C	0.0539 Ω
Rating - Duty	40C AMB-CONT	Temp. Rise @ Rated Load	45°C
S.F. Amps		Temp. Rise @ S.F. Load	55°C
		Locked-rotor Power Factor	21
		Rotor inertia	5.16 LB-FT <sup>2</sup>

**Load Characteristics 460 V, 60 Hz, 100 HP**

% of Rated Load	25	50	75	100	125	150	S.F.
Power Factor	72	87	90	91	91	89	91
Efficiency	91.3	93.9	94	93.6	92.7	91.6	93
Speed	3584	3568	3552	3536	3518	3496	3525
Line amperes	36.1	57.7	82.8	110	138	169	127

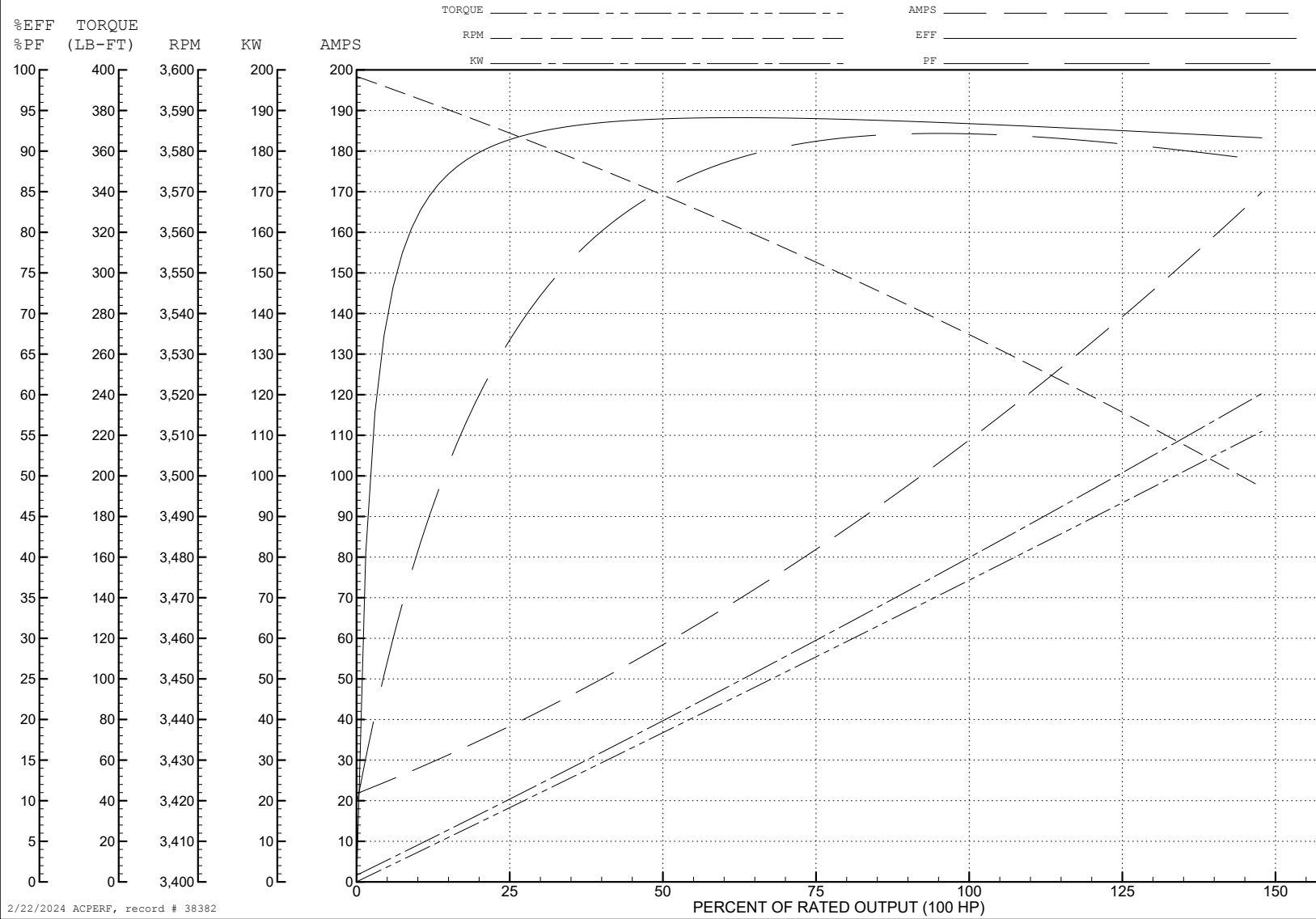
ABB Motors and Mechanical Inc.

WINDING # 42WGW937

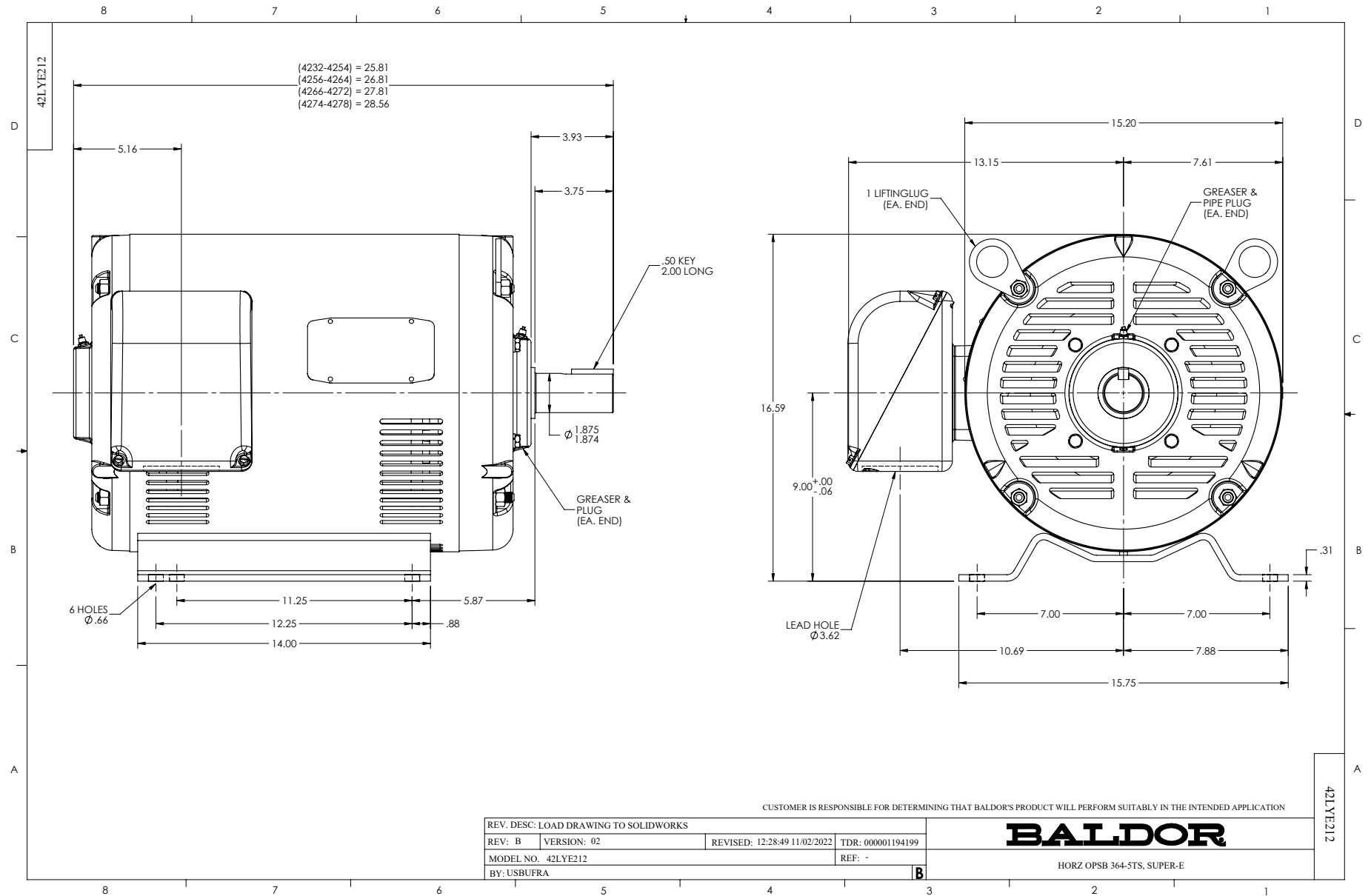
Typical performance - not guaranteed values.

100 HP 3 PH 60 HZ 3540 RPM 460 V 4266M

TORQUES (LB-FT): PO=483 PU=172 LR=245 LRA=771

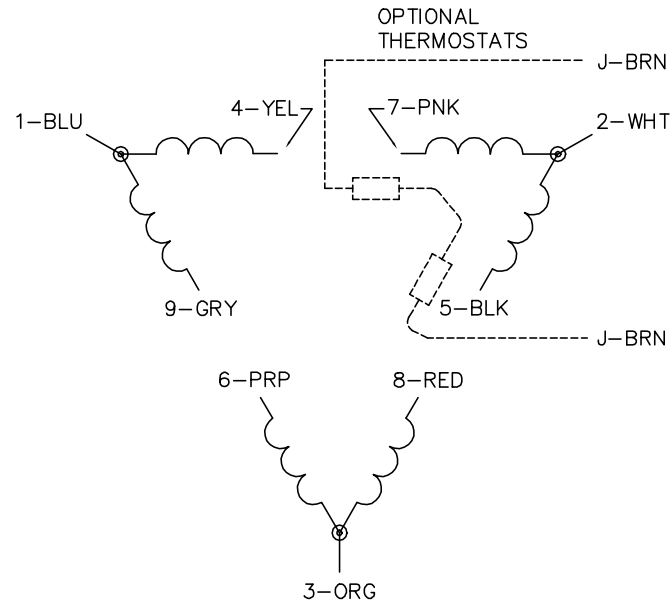


2/22/2024 ACPERF, record # 38382





CD0180



LOW VOLTAGE  
(2D)



HIGH VOLTAGE  
(1D)



**NOTES:**

1. INTERCHANGE ANY TWO LINE LEADS TO REVERSE ROTATION.
2. OPTIONAL THERMOSTATS ARE PROVIDED WHEN SPECIFIED.
3. ACTUAL NUMBER OF INTERNAL PARALLEL CIRCUITS MAY BE A MULTIPLE OF THOSE SHOWN ABOVE.
4. LEAD COLORS ARE OPTIONAL. LEADS MUST ALWAYS BE NUMBERED AS SHOWN.

CD0180

REV. DESC: ADD CLASS CONN00000007		
REV. LTR: D	VERSION: 01	TDR: 000001099922
FILE: \AAA\00005\148	REVISED: 10: 25: 29 02/19/2019	BY: ENBRIRO
MTL: -	© □	

**BALDOR - RELIANCE®**

3PH, DV, 9 LEADS, DELTA CONNECTION

SH 1 of 1