

BALDOR • RELIANCE

Customer information packet

EM2548T

60HP, 1185RPM, 3PH, 60HZ, 404T, 4476M, OPSB, F1

Specifications

Enclosure	OPSB
Frame	404T
Frame Material	Steel
Frequency	60.00 Hz
Motor Letter Type	Three Phase
Output @ Frequency	60.000 HP @ 60 HZ
Phase	3
Synchronous Speed @ Frequency	1200 RPM @ 60 HZ
Voltage @ Frequency	460.0 V @ 60 HZ 230.0 V @ 60 HZ
Agency Approvals	CSA EEV NEMA PREMIUM NEMA_PREMIUM UR
Ambient Temperature	40 °C
Auxillary Box	No Auxillary Box
Auxillary Box Lead Termination	None
Base Indicator	Rigid
Bearing Grease Type	Polyrex EM (-20F +300F)
Blower	None
Current @ Voltage	76.000 A @ 460.0 V 160.000 A @ 208.0 V 152.000 A @ 230.0 V
Design Code	A
Drip Cover	No Drip Cover
Duty Rating	CONT
Efficiency @ 100% Load	94.5 %
Electrically Isolated Bearing	Not Electrically Isolated
Feedback Device	NO FEEDBACK
Front Face Code	Standard
Front Shaft Indicator	None
Heater Indicator	No Heater

Part detail

Revision	T
Type	AC
Mech. spec.	44E057
Base	
Status	PRD/A
Elec. spec.	44WGW300
Layout	44LYE057
Eff. date	10-31-2024
CD Diagram	CD0180
Poles	06
Leads	9#6
Proprietary	False
Created date	05-07-2010

High Voltage Full Load Amps	76.0 a
Insulation Class	F
Inverter Code	Inverter Ready
KVA Code	H
Lifting Lugs	Standard Lifting Lugs
Locked Bearing Indicator	Locked Bearing
Motor Lead Exit	Ko Box
Motor Lead Quantity/Wire Size	9 @ 6 AWG
Motor Lead Termination	Flying Leads
Motor Standards	NEMA
Motor Type	4480M
Mounting Arrangement	F1
Number of Poles	6
Overall Length	34.47 IN
Power Factor	79
Product Family	General Purpose
Pulley End Bearing Type	Ball
Pulley Face Code	Standard
Pulley Shaft Indicator	Standard
Rodent Screen	None
Service Factor	1.15
Shaft Diameter	2.875 IN
Shaft Extension Location	Pulley End
Shaft Ground Indicator	No Shaft Grounding
Shaft Rotation	Reversible
Shaft Slinger Indicator	No Slinger
Speed	1185 rpm
Speed Code	Single Speed
Starting Method	Direct on line
Thermal Device - Bearing	None
Thermal Device - Winding	None
Vibration Sensor Indicator	No Vibration Sensor
Winding Thermal 1	None
Winding Thermal 2	None

Nameplate

NP2138LUA

CAT.NO.	EM2548T	P/N		ENCLOSURE	OPSB
SPEC.	44E057W300G1	CC	010A	FRAME	404T
HP	60	CLASS	F	HZ	60
RPM	1185	PH	3	DES	A
VOLT	230/460	KVA-CODE	H	ODE BRG	6312
AMP	152/76	DE BRG			6316
RATING	40C AMB-CONT	GREASE	POLYREX EM		
NEMA-NOM-EFF	94.5	PF	79	SER.F.	1.15
HTR-VOLTS	50Hz 60Hp 190/380V 178/89A			SF	1.0
HTR-AMPS					

AC Induction Motor Performance Data

Record # 32127

Typical performance - not guaranteed values

Winding: 44WGW300-R001		Type: 4480M		Enclosure: OPSB	
Nameplate Data			460 V, 60 Hz: High Voltage Connection		
Rated Output (HP)	60		Full Load Torque	266 LB-FT	
Volts	230/460		Start Configuration	direct on line	
Full Load Amps	152/76		Breakdown Torque	843 LB-FT	
R.P.M.	1185		Pull-up Torque	384 LB-FT	
Hz	60 Phase	3	Locked-rotor Torque	526 LB-FT	
NEMA Design Code	A KVA Code	H	Starting Current	520 A	
Service Factor (S.F.)	1.15		No-load Current	33.2 A	
NEMA Nom. Eff.	94.5 Power Factor	79	Line-line Res. @ 25°C	0.084913 Ω	
Rating - Duty	40C AMB-CONT		Temp. Rise @ Rated Load	42°C	
S.F. Amps			Temp. Rise @ S.F. Load	50°C	
			Locked-rotor Power Factor	29	
			Rotor inertia	22.8 LB-FT ²	

Load Characteristics 460 V, 60 Hz, 60 HP

% of Rated Load	25	50	75	100	125	150	S.F.
Power Factor	42	63	74	79	81	82	80
Efficiency	91.5	94.3	94.8	94.6	94.2	93.4	94.4
Speed	1195.3	1192.1	1188.9	1184.8	1180.9	1176	1182
Line amperes	37.6	47.6	60.7	75.5	92.2	110	85.5

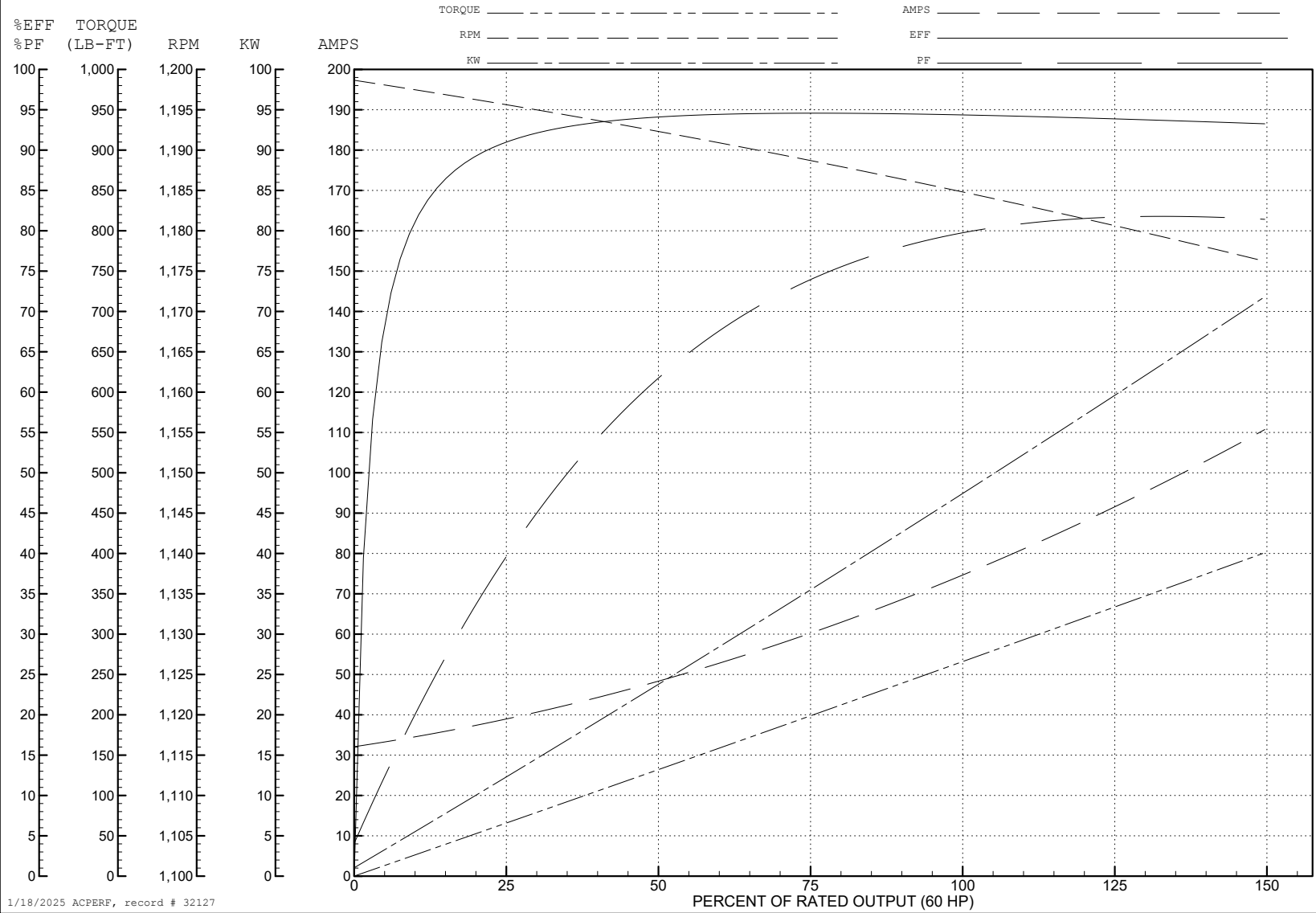
ABB Motors and Mechanical Inc.

WINDING # 44WGW300

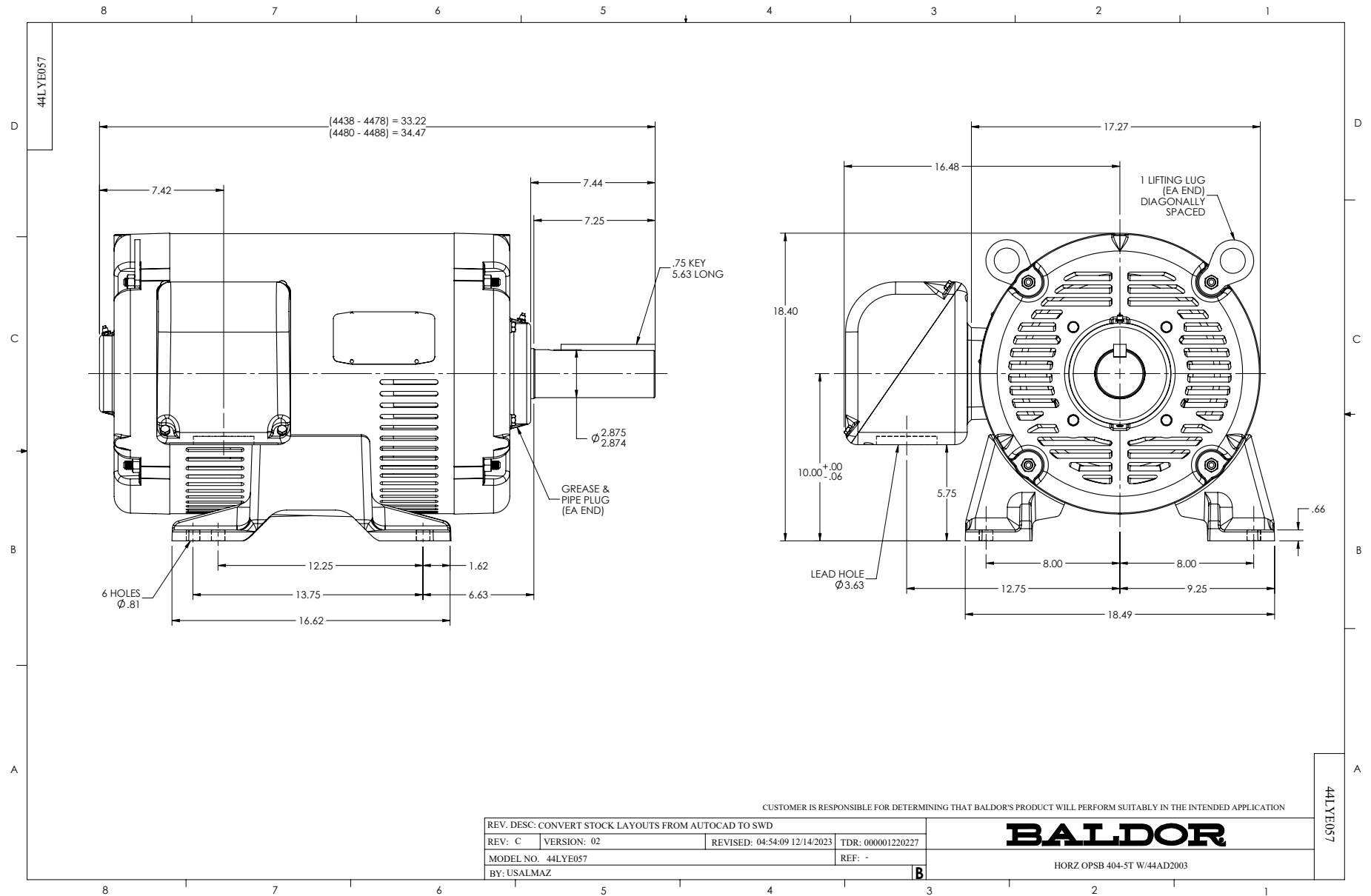
60 HP 3 PH 60 HZ 1185 RPM 460 V 4480M

Typical performance - not guaranteed values.

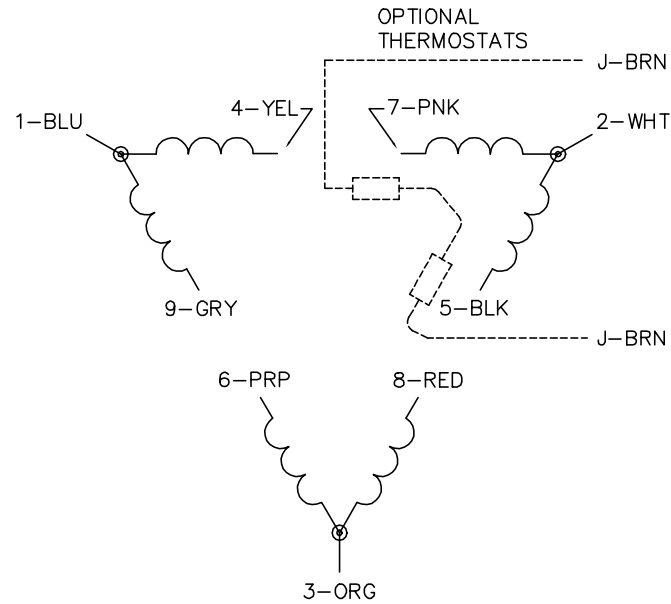
TORQUES (LB-FT): PO=843 PU=384 LR=526 LRA=520



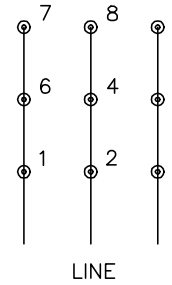
1/18/2025 ACPERF, record # 32127



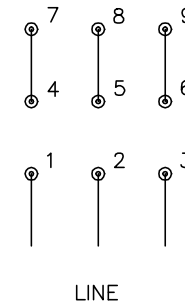
CD0180



LOW VOLTAGE
(2D)



HIGH VOLTAGE
(1D)



NOTES:

1. INTERCHANGE ANY TWO LINE LEADS TO REVERSE ROTATION.
2. OPTIONAL THERMOSTATS ARE PROVIDED WHEN SPECIFIED.
3. ACTUAL NUMBER OF INTERNAL PARALLEL CIRCUITS MAY BE A MULTIPLE OF THOSE SHOWN ABOVE.
4. LEAD COLORS ARE OPTIONAL. LEADS MUST ALWAYS BE NUMBERED AS SHOWN.

CD0180

REV. DESC: ADD CLASS CONN00000007		
REV. LTR: D	VERSION: 01	TDR: 000001099922
FILE: \AAA\00005\148	REVISED: 10: 25: 29 02/19/2019	BY: ENBRIRO
MTL: -	© □	

BALDOR - RELIANCE®

3PH, DV, 9 LEADS, DELTA CONNECTION

SH 1 of 1