



Customer information packet

EM2548T-4CI

60HP, 1185RPM, 3PH, 60HZ, 404T, M400MAG, OPEN,
Class - None
Division - Not Applicable

Specifications

Enclosure	DP
Frame	404T
Frame Material	Iron
Frequency	60.00 Hz
Haz Area Class and Group	None
Haz Area Division	Not Applicable
Motor Letter Type	Three Phase
Output @ Frequency	60.000 HP @ 60 HZ
Phase	3
Synchronous Speed @ Frequency	1200 RPM @ 60 HZ
Voltage @ Frequency	460.0 V @ 60 HZ
Agency Approvals	CCSA US CCSAUSEEV CSA EEV
Ambient Temperature	40 °C
Auxillary Box	No Auxillary Box
Base Indicator	Rigid
Bearing Grease Type	Polyrex EM (-20F +300F)
Current @ Voltage	70.400 A @ 460.0 V
Design Code	B
Drip Cover	No Drip Cover
Duty Rating	CONT
Efficiency @ 100% Load	95.0 %
Feedback Device	NO FEEDBACK
Heater Indicator	No Heater
High Voltage Full Load Amps	70.4 a
Insulation Class	F
Inverter Code	Inverter Ready
KVA Code	G
Lifting Lugs	No Lifting Lugs
Motor Lead Quantity/Wire Size	6 @ 6 AWG
Motor Standards	NEMA

Part detail

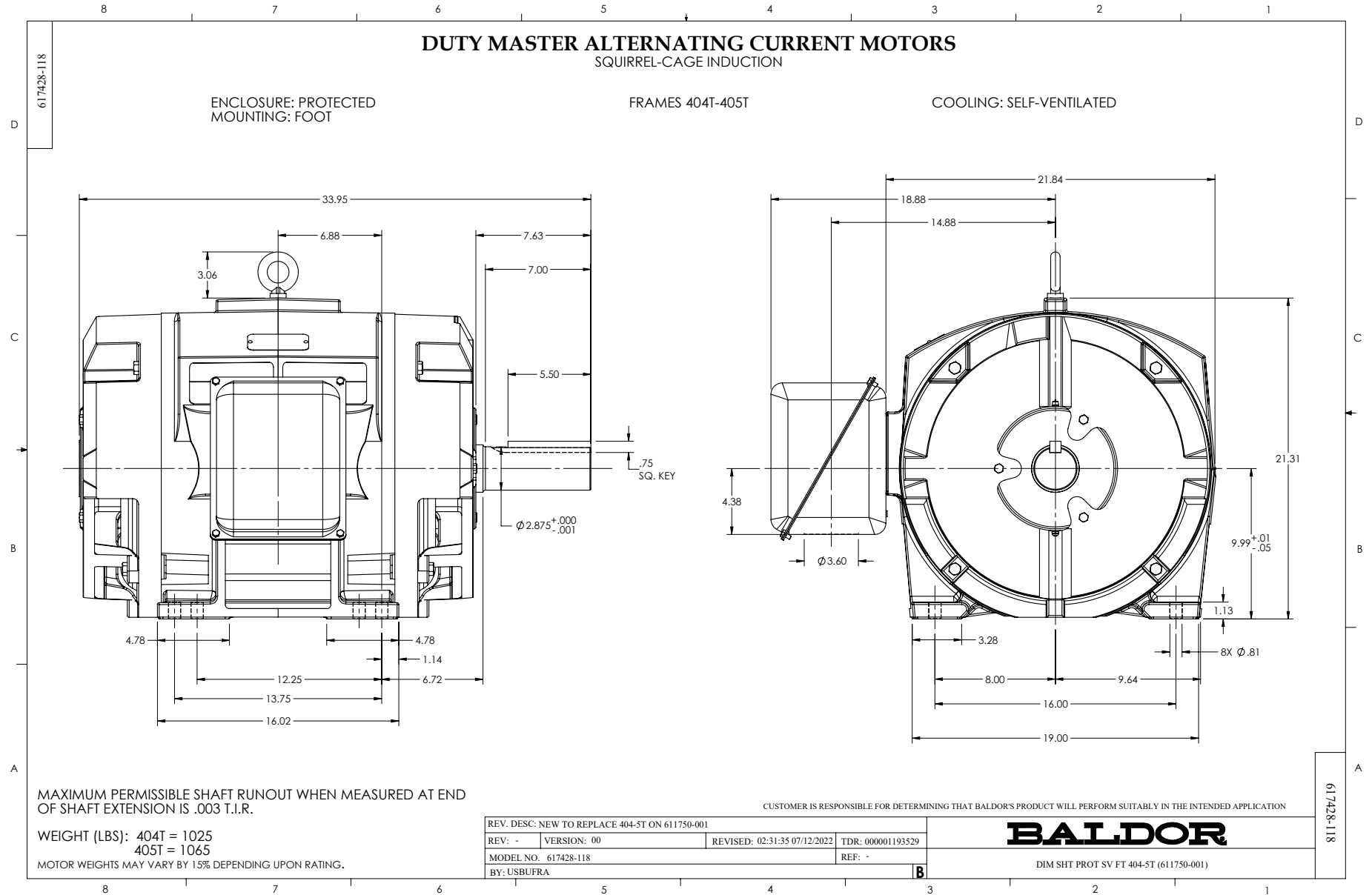
Revision	M
Type	AC
Mech. spec.	
Base	
Status	PRD/A
Elec. spec.	A40WG0475
Layout	617428-118
Eff. date	04-05-2024
CD Diagram	416820-008
Poles	06
Leads	6#6
Proprietary	False
Created date	10-19-2010

Motor Type	A40052M
Mounting Arrangement	F1
Number of Poles	6
Overall Length	33.95 IN
Power Factor	84
Pulley End Bearing Type	Ball
Pulley Face Code	C-Face
Service Factor	1.15
Shaft Diameter	2.875 IN
Shaft Ground Indicator	No Shaft Grounding
Shaft Rotation	Reversible
Shaft Slinger Indicator	No Slinger
Speed	1185 rpm
Speed Code	Single Speed
Starting Method	Wye Start - Delta Run
Thermal Device - Bearing	None
Thermal Device - Winding	None

Nameplate

NP2381L

SPEC NO.	P40G4411	CAT.NO.	EM2548T-4CI	FRAME	404T
HP	60	PHASE	3	DESIGN	B
		TYPE	P		
RPM	1185	HZ	60	AMB	40
		SF	1.15		
VOLTS	460	DUTY	CONT	INSUL.CLASS	F
AMPS	70.4	ENCL	DP	CODE	G
DRIVE END BEARING	80BC03J30X	NEMA-NOM-EFFICIENCY	95		
OPP D.E. BEARING	80BC03J30X				
SER.NO.					
				MOTOR WEIGHT	

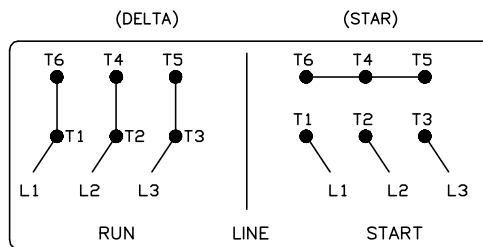
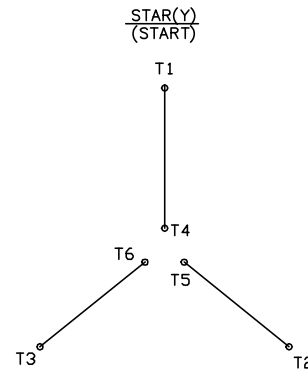
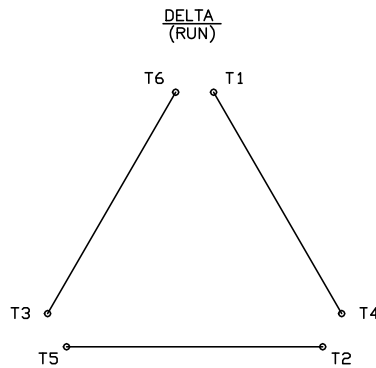


416820-008

A-C MOTOR CONNECTION DIAGRAM

STANDARD 6 LEAD

Y START - DELTA RUN



< N. P. 1767-DC >

REV. DESC: ADDED T4 TO Y CONNECT DIAGRAM		
REV. LTR: D	VERSION: 04	TDR: 00000847713
FILE: \RAG\00001\808	REVISED: 10: 41: 26 04/08/2014	BY: RAGJSS1
MTL: -	© □	



CONNECT DIAGRAM STD 6 LEAD Y START DELTA RUN

SH 1 of 1

416820-008