

BALDOR • RELIANCE

Customer information packet

EM2547T-CI

60HP, 1780RPM, 3PH, 60HZ, 364T, ODP, FOOT,
Class - None
Division - Not Applicable

Specifications

Enclosure	DP
Frame	364T
Frame Material	Iron
Frequency	60.00 Hz
Haz Area Class and Group	None
Haz Area Division	Not Applicable
Motor Letter Type	Three Phase
Output @ Frequency	60.000 HP @ 60 HZ
Phase	3
Synchronous Speed @ Frequency	1800 RPM @ 60 HZ
Voltage @ Frequency	230.0 V @ 60 HZ 460.0 V @ 60 HZ
Agency Approvals	CSA EEV CCSAUSEEV CCSA US
Ambient Temperature	40 °C
Auxillary Box	No Auxillary Box
Base Indicator	Rigid
Bearing Grease Type	Polyrex EM (-20F +300F)
Current @ Voltage	139.000 A @ 230.0 V 69.500 A @ 460.0 V
Design Code	B
Drip Cover	No Drip Cover
Duty Rating	CONT
Efficiency @ 100% Load	95.0 %
Feedback Device	NO FEEDBACK
Heater Indicator	No Heater
High Voltage Full Load Amps	69.5 a
Insulation Class	F
Inverter Code	Inverter Ready
IP Rating	NONE
KVA Code	G

Part detail

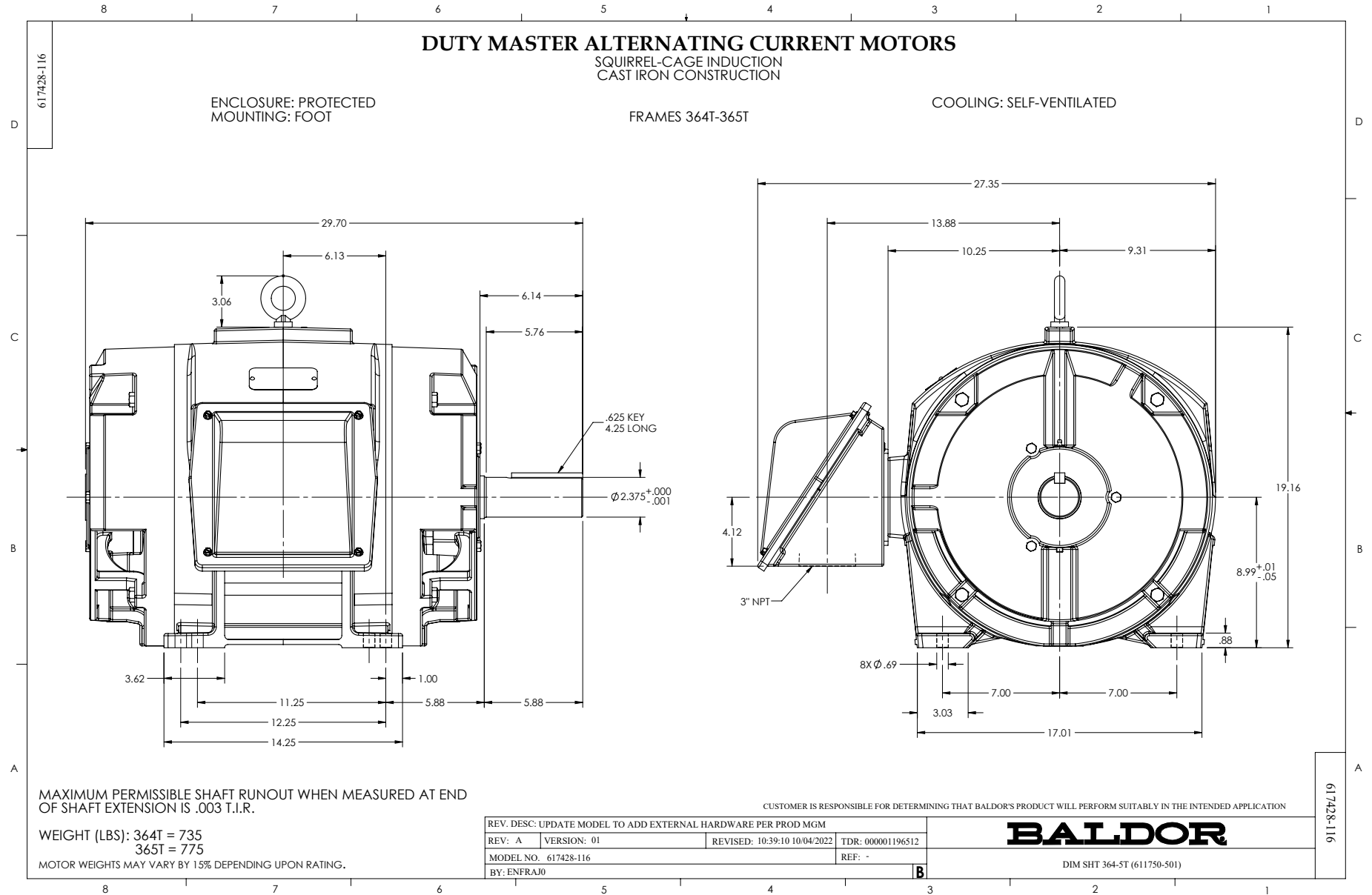
Revision	M
Type	AC
Mech. spec.	
Base	
Status	PRD/A
Elec. spec.	A36WG0188
Layout	617428-116
Eff. date	09-04-2024
CD Diagram	416820-002
Poles	04
Leads	3#4,6#6
Proprietary	False
Created date	11-18-2010

Lifting Lugs	Standard Lifting Lugs
Motor Lead Quantity/Wire Size	3 @ 4 AWG
Motor Standards	NEMA
Motor Type	A36050M
Mounting Arrangement	F1
Number of Poles	4
Overall Length	29.70 IN
Power Factor	86
Pulley End Bearing Type	Ball
Pulley Face Code	Standard
Service Factor	1.15
Shaft Diameter	2.374 IN
Shaft Ground Indicator	No Shaft Grounding
Shaft Rotation	Reversible
Shaft Slinger Indicator	No Slinger
Speed	1780 rpm
Speed Code	Single Speed
Starting Method	Direct on line
Thermal Device - Bearing	None
Thermal Device - Winding	None

Nameplate

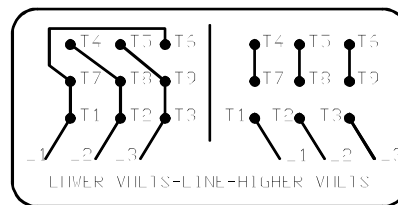
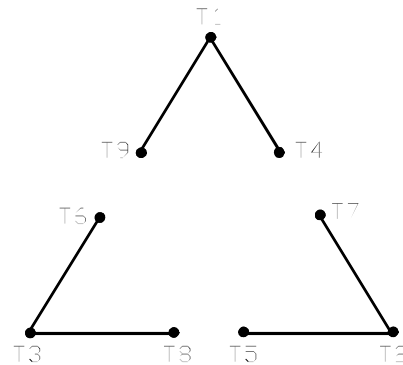
NP2349L

SPEC NO.	P36G51	CAT.NO.	EM2547T-CI	FRAME	364T
HP	60	VOLTS	230/460	PHASE	3
RPM	1780	AMPS	139/69.5	DESIGN	B
DRIVE END BEARING	65BC03J30X	DUTY	CONT	TYPE	P
OPP D.E. BEARING	65BC03J30X	INSUL.CLASS	F	AMB	40
SER.NO.		HZ	60	SF	1.15
		ENCL	DP	CODE	G
		POWER FACTOR	85.5	NEMA-NOM-EFFICIENCY	95
				MAX CORR KVAR	12.5
				GUARANTEED EFFICIENCY	94.5
				NEMA NOM/CSA QUOTED EFF	
				MOTOR WEIGHT	



416820-002

A-C MOTOR
 CONNECTION DIAGRAM
 STANDARD 9 LEAD DELTA-CONNECTED



(N.P. 1575-B)

416820-002

REV. DESC: FONT CHANGE FOR PDF SEARCHABLE		
REV. LTR: A	VERSION: 01	TDR: 000001009382
FILE: \MGA\00000\661	REVISED: 02:46:19 02/13/2020	BY: MGHMTT
MTL: -	© □	

BALDOR - RELIANCE®

CONN DIAG - STANDARD 9 LEAD, DELTA-CONNECTED

SH 1 of 1