

**BALDOR • RELIANCE**

---

# Customer information packet

## EM2547T-5

60HP, 1775RPM, 3PH, 60HZ, 364T, 4278M, OPSB, F1

## Specifications

Enclosure	OPSB
Frame	364T
Frame Material	Steel
Frequency	60.00 Hz
Motor Letter Type	Three Phase
Output @ Frequency	60.000 HP @ 60 HZ
Phase	3
Synchronous Speed @ Frequency	1800 RPM @ 60 HZ
Voltage @ Frequency	575.0 V @ 60 HZ
Agency Approvals	CSA EEV UR NEMA_PREMIUM NEMA PREMIUM
Ambient Temperature	40 °C
Auxillary Box	No Auxillary Box
Auxillary Box Lead Termination	None
Base Indicator	Rigid
Bearing Grease Type	Polyrex EM (-20F +300F)
Blower	None
Current @ Voltage	56.000 A @ 575.0 V
Design Code	A
Drip Cover	No Drip Cover
Duty Rating	CONT
Efficiency @ 100% Load	95.0 %
Electrically Isolated Bearing	Not Electrically Isolated
Feedback Device	NO FEEDBACK
Front Face Code	Standard
Front Shaft Indicator	None
Heater Indicator	No Heater
High Voltage Full Load Amps	56.0 a
Insulation Class	F
Inverter Code	Inverter Ready

## Part detail

Revision	W
Type	AC
Mech. spec.	42E211
Base	
Status	PRD/A
Elec. spec.	42WGW589
Layout	42LYE211
Eff. date	02-12-2024
CD Diagram	CD0006
Poles	04
Leads	3#8
Proprietary	False
Created date	07-27-2009

<b>IP Rating</b>	NONE
<b>KVA Code</b>	G
<b>Lifting Lugs</b>	Standard Lifting Lugs
<b>Locked Bearing Indicator</b>	Locked Bearing
<b>Motor Lead Exit</b>	Ko Box
<b>Motor Lead Quantity/Wire Size</b>	3 @ 8 AWG
<b>Motor Lead Termination</b>	Flying Leads
<b>Motor Standards</b>	NEMA
<b>Motor Type</b>	4278M
<b>Mounting Arrangement</b>	F1
<b>Number of Poles</b>	4
<b>Overall Length</b>	30.69 IN
<b>Power Factor</b>	87
<b>Product Family</b>	General Purpose
<b>Pulley End Bearing Type</b>	Ball
<b>Pulley Face Code</b>	Standard
<b>Pulley Shaft Indicator</b>	Standard
<b>Rodent Screen</b>	None
<b>Service Factor</b>	1.15
<b>Shaft Diameter</b>	2.375 IN
<b>Shaft Extension Location</b>	Pulley End
<b>Shaft Ground Indicator</b>	No Shaft Grounding
<b>Shaft Rotation</b>	Reversible
<b>Shaft Slinger Indicator</b>	No Slinger
<b>Speed</b>	1775 rpm
<b>Speed Code</b>	Single Speed
<b>Starting Method</b>	Direct on line
<b>Thermal Device - Bearing</b>	None
<b>Thermal Device - Winding</b>	None
<b>Vibration Sensor Indicator</b>	No Vibration Sensor
<b>Winding Thermal 1</b>	None
<b>Winding Thermal 2</b>	None

**Nameplate**

**NP2138L**

<b>CAT.NO.</b>	EM2547T-5	<b>P/N</b>		<b>ENCLOSURE</b>	OPSB		
<b>SPEC.</b>	42E211W589	<b>CC</b>	010A	<b>FRAME</b>	364T	<b>S/N</b>	
<b>HP</b>	60	<b>CLASS</b>	F	<b>HZ</b>	60		
<b>RPM</b>	1775	<b>PH</b>	3	<b>DES</b>	A		
<b>VOLT</b>	575	<b>KVA-CODE</b>	G	<b>ODE BRG</b>	6311	<b>DE BRG</b>	6313
<b>AMP</b>	56						
<b>RATING</b>	40C AMB-CONT	<b>GREASE</b>	POLYREX EM				
<b>NEMA-NOM-EFF</b>	95	<b>PF</b>	87	<b>SER.F.</b>	1.15		
<b>HTR-VOLTS</b>		<b>HTR-AMPS</b>					

**Accessories**

<b>Part number</b>	<b>Description</b>	<b>Multiplier</b>
42-1400	C FACE KIT	A8

**AC Induction Motor Performance Data**

Record # 13774

Typical performance - not guaranteed values

<b>Winding:</b> 42WGW589-R001		<b>Type:</b> 4278M		<b>Enclosure:</b> OPSB	
<b>Nameplate Data</b>			<b>575 V, 60 Hz: Single Voltage Motor</b>		
<b>Rated Output (HP)</b>	60	<b>Full Load Torque</b>	177 LB-FT		
<b>Volts</b>	575	<b>Start Configuration</b>	direct on line		
<b>Full Load Amps</b>	56	<b>Breakdown Torque</b>	624 LB-FT		
<b>R.P.M.</b>	1775	<b>Pull-up Torque</b>	245 LB-FT		
<b>Hz</b>	60	<b>Phase</b>	3	<b>Locked-rotor Torque</b>	314 LB-FT
<b>NEMA Design Code</b>	A	<b>KVA Code</b>	G	<b>Starting Current</b>	376 A
<b>Service Factor (S.F.)</b>	1.15	<b>No-load Current</b>	17.8 A		
<b>NEMA Nom. Eff.</b>	95	<b>Power Factor</b>	87	<b>Line-line Res. @ 25°C</b>	0.131 Ω
<b>Rating - Duty</b>	40C AMB-CONT		<b>Temp. Rise @ Rated Load</b>	30°C	
<b>S.F. Amps</b>			<b>Temp. Rise @ S.F. Load</b>	40°C	
			<b>Locked-rotor Power Factor</b>	26.2	
			<b>Rotor inertia</b>	10.4 LB-FT <sup>2</sup>	

**Load Characteristics 575 V, 60 Hz, 60 HP**

<b>% of Rated Load</b>	<b>25</b>	<b>50</b>	<b>75</b>	<b>100</b>	<b>125</b>	<b>150</b>	<b>S.F.</b>
<b>Power Factor</b>	56	77	85	87	89	89	88
<b>Efficiency</b>	92.6	94.9	95.3	95	94.6	93.7	94.8
<b>Speed</b>	1793	1787	1781	1775	1769	1762	1771
<b>Line amperes</b>	21.8	31	41.7	54.1	66.9	81	61.8

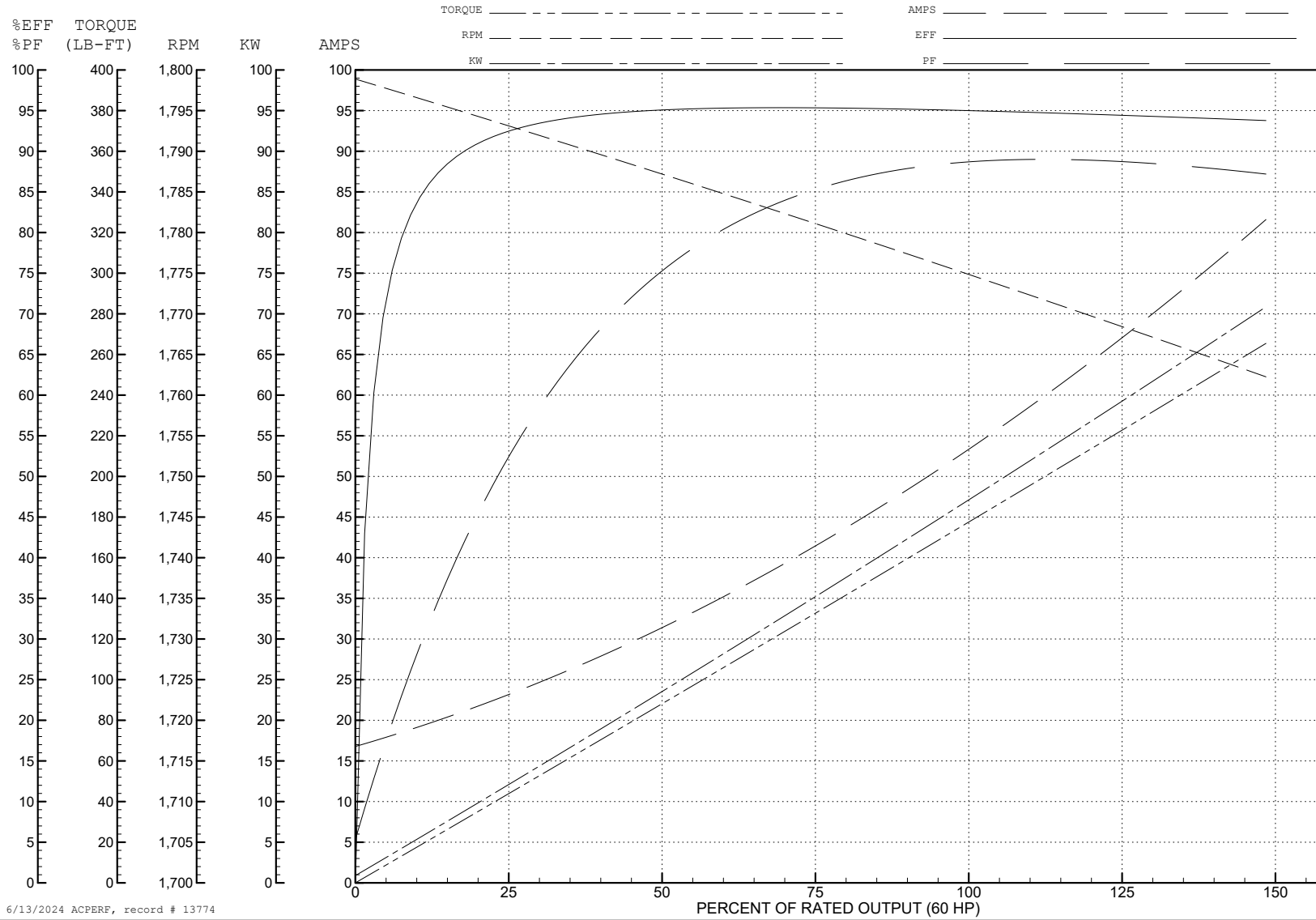
ABB Motors and Mechanical Inc.

WINDING # 42WGW589

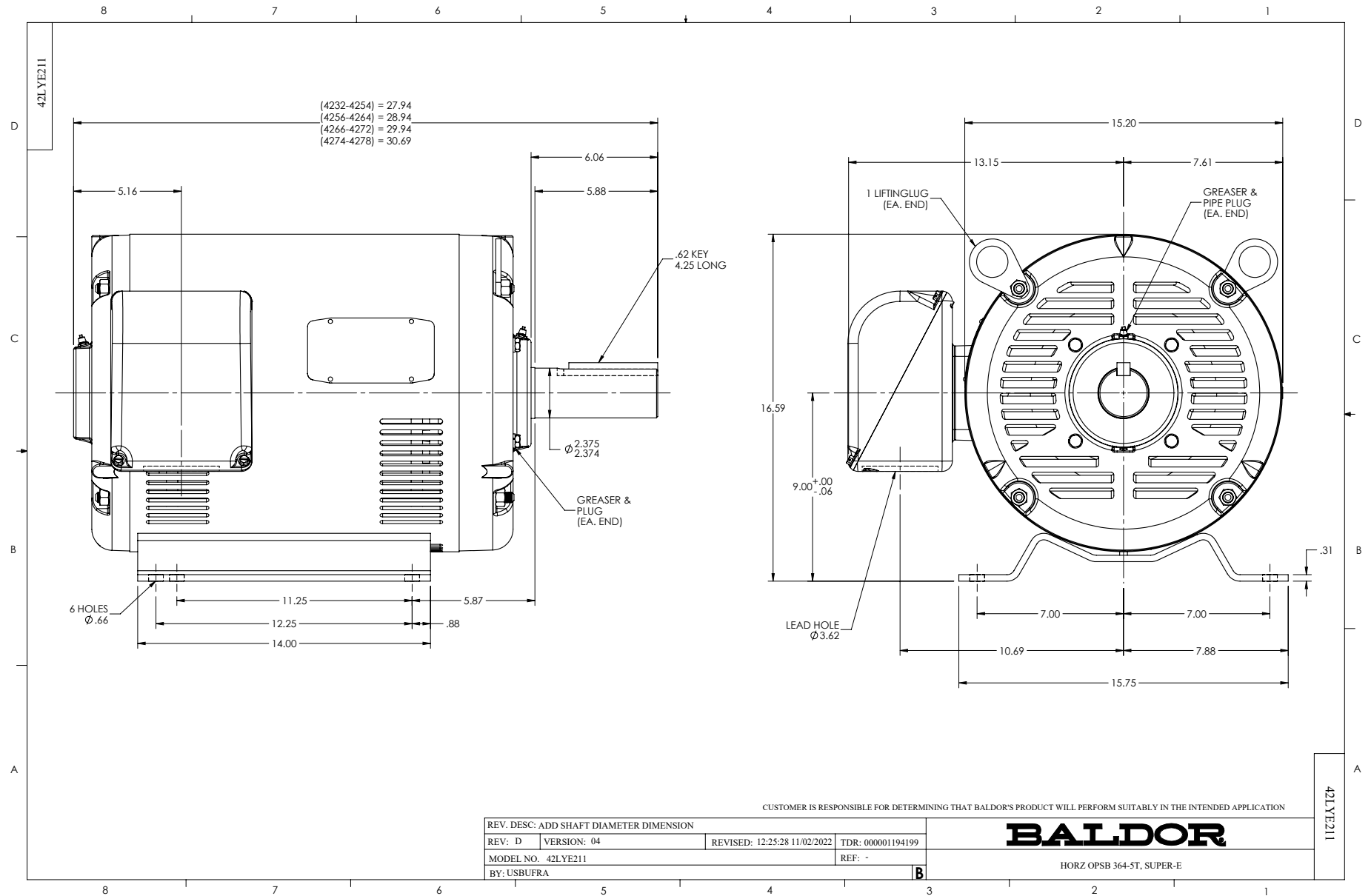
Typical performance - not guaranteed values.

60 HP 3 PH 60 HZ 1775 RPM 575 V 4278M

TORQUES (LB-FT): PO=624 PU=245 LR=314 LRA=376

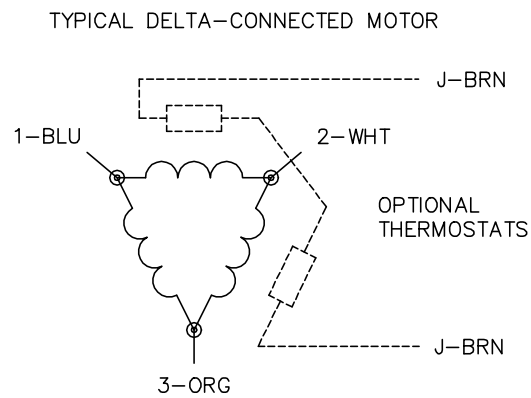


6/13/2024 ACPERF, record # 13774





CD0006



NOTES:

1. THREE LEAD MOTOR MAY BE EITHER WYE CONNECTED OR DELTA CONNECTED.
2. INTERCHANGE ANY TWO LINE LEADS TO REVERSE ROTATION.
3. OPTIONAL THERMOSTATS ARE PROVIDED WHEN SPECIFIED.
4. ACTUAL NUMBER OF INTERNAL PARALLEL CIRCUITS MAY VARY.
5. LEAD COLORS ARE OPTIONAL. LEADS MUST BE NUMBERED AS SHOWN.

CD0006

REV. DESC: ADD CLASS CONN00000007		
REV. LTR: E	VERSION: 01	TDR: 000001099922
FILE: \AAA\00005\141	REVISED: 10:24:49 02/19/2019	BY: ENBRIRO
MTL: -	© □	

**BALDOR - RELIANCE®**

3PH, SV, 3 LEADS, WYE OR DELTA CONNECTED

SH 1 of 1