

ABB BALDOR RELIANCE III

Customer information packet

EM25452T-4

450HP, 3570RPM, 3PH, 60HZ, 449TS, DP, F1

Class - None

Division - Not Applicable

Specifications

Enclosure	DP
Frame	449TS
Frame Material	Iron
Frequency	60.00 Hz
Haz Area Class and Group	None
Haz Area Division	Not Applicable
Motor Letter Type	Three Phase
Output @ Frequency	450.000 HP @ 60 HZ
Phase	3
Synchronous Speed @ Frequency	3600 RPM @ 60 HZ
Voltage @ Frequency	460.0 V @ 60 HZ
Agency Approvals	CURUSEEV
Ambient Temperature	40 °C
Auxiliary Box	NO AUXILLARY BOX
Base Indicator	Rigid
Bearing Grease Type	Polyrex EM (-20F +300F)
Current @ Voltage	494.000 A @ 460.0 V
Design Code	B
Drip Cover	No Drip Cover
Duty Rating	CONT
Efficiency @ 100% Load	96.2 %
Feedback Device	NO FEEDBACK
Heater Indicator	No Heater
High Voltage Full Load Amps	494.0 a
Insulation Class	F
Inverter Code	Inverter Ready
IP Rating	NONE
KVA Code	F
Lifting Lugs	Standard Lifting Lugs
Motor Lead Quantity/Wire Size	12 @ 1 AWG
Motor Standards	NEMA
Motor Type	A44112M

Part Detail

Revision	B
Type	AC
Mech. spec.	
Base	
Status	PRD/A
Elec. spec.	A44WG2693
Layout	604989-595
Eff. date	07-18-2022
CD Diagram	416820-008
Poles	02
Leads	6#1 (02 per group)
Proprietary	False
Created date	11-23-2015

Mounting Arrangement	F1
Number of Poles	2
Overall Length	44.31 IN
Power Factor	88
Product Family	General Industrial
Pulley End Bearing Type	Ball
Pulley Face Code	Standard
Service Factor	1.15
Shaft Diameter	2.375 IN
Shaft Ground Indicator	No Shaft Grounding
Shaft Rotation	Reversible
Shaft Slinger Indicator	No Slinger
Speed	3570 rpm
Speed Code	Single Speed
Starting Method	Wye Start - Delta Run
Thermal Device - Bearing	None
Thermal Device - Winding	None

Nameplate

NP2496L
MOBIL POLYREX EM

NP2349L

SPEC NO.	A44-8054-2693	CAT.NO.	EM25452T-4	FRAME	449TS
HP	450	VOLTS	460	PHASE	3
		DESIGN	B	TYPE	P
RPM	3570	AMPS	494	HZ	60
		AMB	40	SF	1.15
DRIVE END BEARING	65BC03J30X	DUTY	CONT	INSUL.CLASS	F
OPP D.E. BEARING	65BC03J30X	ENCL	DP	CODE	F
SER.NO.		POWER FACTOR	88	NEMA-NOM-EFFICIENCY	96.2
		MAX CORR KVAR	75	GUARANTEED EFFICIENCY	95.4
		NEMA NOM/CSA QUOTED EFF			
		MOTOR WEIGHT			

REL. S.O.	FRAME	HP	TYPE	PHASE/ HERTZ	RPM	VOLTS
	449T	450	P	3/60	3570	460
AMPS	DUTY	AMB °C/ INSUL.	S.F.	NEMA DESIGN	CODE LETTER	ENCL.
494	CONT	40/F	1.15	B	F	PRXE
E/S	ROTOR	TEST S.O.	TEST DATE	STATOR RES. @25 °C OHMS (BETWEEN LINES)		
433499	418143013KE	---	---	.00760		

PERFORMANCE

LOAD	HP	AMPERES	RPM	% POWER FACTOR	% EFFICIENCY
NO LOAD	0	124	3600	4.41	0
1/4	113	170	3593	65.6	94.5
2/4	225	263	3586	83.2	96.3
3/4	337	374	3578	87.4	96.5
4/4	450	494	3570	88.4	96.3
5/4	562	618	3561	88.8	95.9

SPEED TORQUE

	RPM	TORQUE % FULL LOAD	TORQUE LB.-FT.	AMPERES
LOCKED ROTOR	0	198	1310	2870
PULL UP	2550	161	1064	2300
BREAKDOWN	3472	213	1409	1539
FULL LOAD	3570	100	661	494

AMPERES SHOWN FOR 460. VOLT CONNECTION. IF OTHER VOLTAGE CONNECTIONS ARE AVAILABLE, THE AMPERES WILL VARY INVERSELY WITH THE RATED VOLTAGE

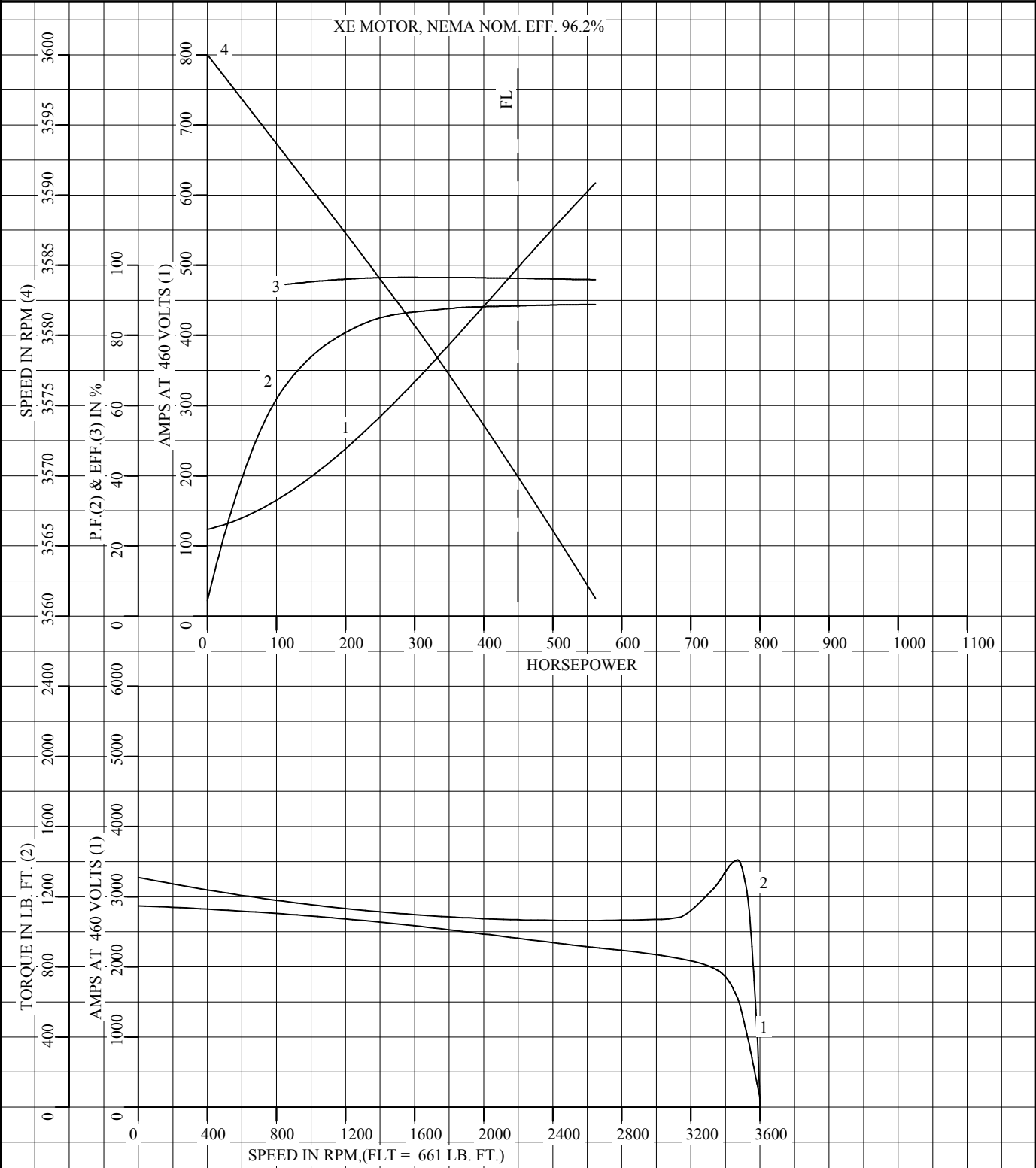
REMARKS: CALCULATED DATA
XE MOTOR, NEMA NOM. EFF. 96.2%



DR. BY J. J. HARRISON
CK. BY W. L. SMITH
APP. BY W. L. SMITH
DATE 01/21/2010

**A-C MOTOR
PERFORMANCE DATA** A44WG2693-R001
ISSUE DATE 01/21/20

REL S.O.	RPM 3570	S.F. 1.15	ROTOR 418143013KE
FRAME 449T	VOLTS 460	NEMA DESIGN B	TEST S.O. CALCULATED DATA
HP 450	AMPS 494	CODE LETTER F	TEST DATE ---
TYPE P	DUTY CONT	ENCLOSURE PRXE	STATOR RES. @ 25 °C .00760
PHASE/HERTZ 3/60	AMB °C/INSUL 40/F	E/S 433499	OHMS (BETWEEN LINES)



AMPERES SHOWN FOR 460 VOLT CONNECTION, IF OTHER VOLTAGE CONNECTIONS ARE AVAILABLE, THE AMPERES WILL VARY INVERSELY WITH THE RATED VOLTAGE.



DR. BY J.J.HARRISON
 CK. BY W.L.SMITH
 APP. BY W.L.SMITH
 DATE 01/21/2010

**A-C MOTOR
PERFORMANCE
CURVES** **A44WG2693-R001**
 ISSUE DATE 01/21/2010

DUTY MASTER ALTERNATING CURRENT MOTORS
SQUIRREL-CAGE INDUCTION

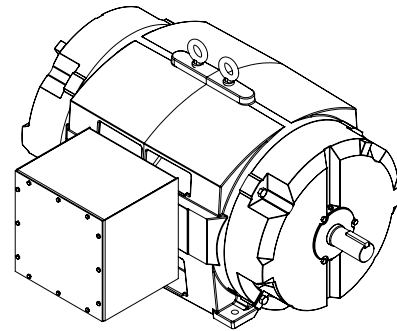
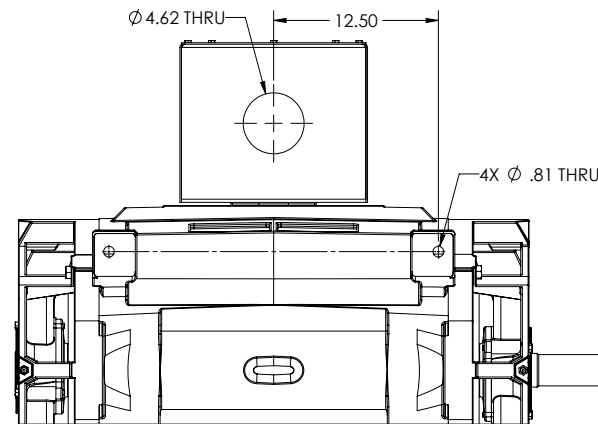
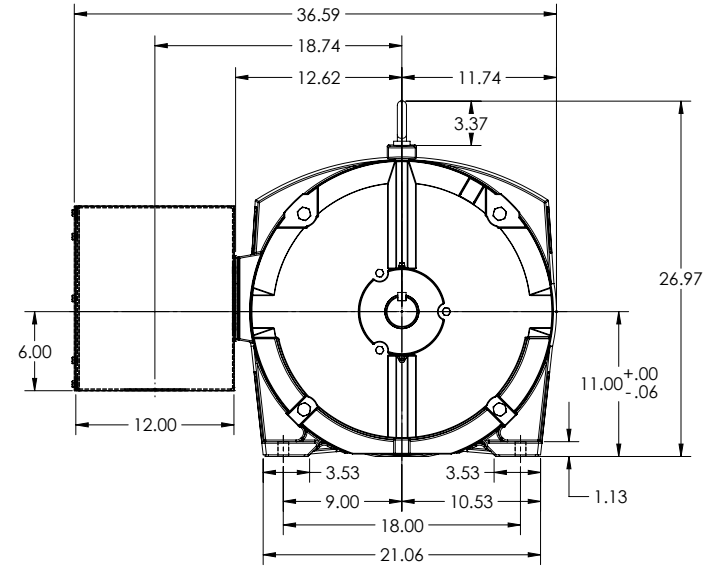
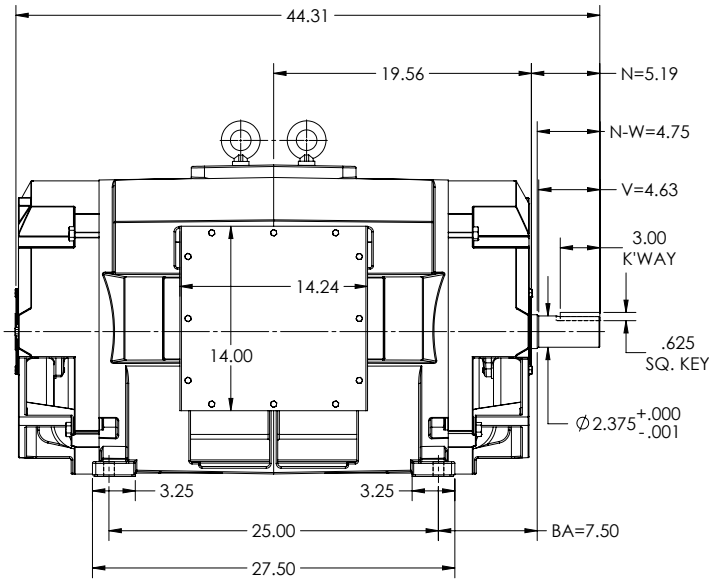
ENCLOSURE: OPEN DRIP-PROOF

MOUNTING: FOOT, F-1

E449TS FRAME MOUNTING

COOLING: NON-VENTILATED

14X14X12 STEEL C/BOX



DIMENSIONS ARE IN INCHES.
WEIGHT (LBS) 2100, MAY VARY 15% DEPENDING ON RATING.
CUSTOMER IS RESPONSIBLE FOR DETERMINING THAT MOTOR PERFORMANCE IS SUITABLE IN THE APPLICATION.

SHEET NUMBER
1 OF 1

IF MOUNTING CLEARANCE DETAILS ARE REQUIRED, CONSULT FACTORY.

565-686F09

MAX PERMISSIBLE SHAFT RUNOUT WHEN MEASURED AT END OF STANDARD SHAFT EXTENSION IS .003 T.I.R.

REV. DESC: UPDATE MODEL TO ADD EXTERNAL HARDWARE PER PROD MGM			
REV: A	VERSION: 01	REVISED: 06-25-35 07/14/2022	TDR: 000001193529
MODEL NO. 604989-595			
BY: USBUFA			

BALDOR

E449TS TEAO/ODP F1 FOOT FABRICATED 14X14X12 STEEL BOX

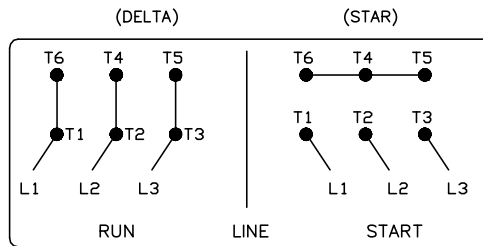
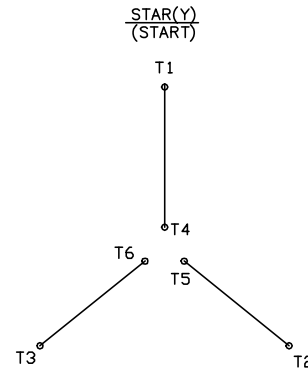
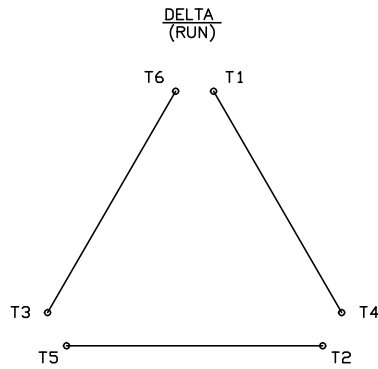
565-686F09

416820-008

A-C MOTOR CONNECTION DIAGRAM

STANDARD 6 LEAD

Y START - DELTA RUN



< N. P. 1767-DC >

REV. DESC: ADDED T4 TO Y CONNECT DIAGRAM

REV. LTR: D

VERSION: 04

TDR: 00000847713

FILE: \RAG\00001\808

REVISED: 10: 41: 26 04/08/2014

BY: RAGJSS1

MTL: -



BALDOR

CONNECT DIAGRAM STD 6 LEAD Y START DELTA RUN

SH 1 of 1

416820-008