

ABB BALDOR RELIANCE III

Customer information packet EM2544T-CI

50HP, 1185RPM, 3PH, 60HZ, 365T, 1466M, OPEN, F1

Class - None

Division - Not Applicable

Specifications

Enclosure	DP
Frame	365T
Frame Material	Iron
Frequency	60.00 Hz
Haz Area Class and Group	None
Haz Area Division	Not Applicable
Motor Letter Type	Three Phase
Output @ Frequency	50.000 HP @ 60 HZ
Phase	3
Synchronous Speed @ Frequency	1200 RPM @ 60 HZ
Voltage @ Frequency	230.0 V @ 60 HZ 460.0 V @ 60 HZ
Agency Approvals	CCSA US CCSAUSEEV CSA EEV CURUSEEV
Ambient Temperature	40 °C
Auxiliary Box	NO AUXILLARY BOX
Base Indicator	Rigid
Bearing Grease Type	Polyrex EM (-20F +300F)
Current @ Voltage	60.300 A @ 460.0 V 120.000 A @ 230.0 V
Design Code	B
Drip Cover	No Drip Cover
Duty Rating	CONT
Efficiency @ 100% Load	94.1 %
Feedback Device	NO FEEDBACK
Heater Indicator	No Heater
High Voltage Full Load Amps	60.3 a
Insulation Class	F
Inverter Code	Inverter Ready
KVA Code	G

Part Detail


Revision	Q
Type	AC
Mech. spec.	
Base	
Status	PRD/A
Elec. spec.	A36WG0753
Layout	617428-130
Eff. date	09-04-2024
CD Diagram	416820-002
Poles	06
Leads	3#6,6#8
Proprietary	False
Created date	10-19-2010

Lifting Lugs	Standard Lifting Lugs
Motor Lead Quantity/Wire Size	3 @ 6 AWG
Motor Standards	NEMA
Motor Type	A36052M
Mounting Arrangement	F1
Number of Poles	6
Overall Length	29.70 IN
Power Factor	83
Pulley End Bearing Type	Ball
Pulley Face Code	Standard
Service Factor	1.15
Shaft Diameter	2.374 IN
Shaft Ground Indicator	No Shaft Grounding
Shaft Rotation	Reversible
Shaft Slinger Indicator	No Slinger
Speed	1185 rpm
Speed Code	Single Speed
Starting Method	Direct on line
Thermal Device - Bearing	None
Thermal Device - Winding	None

Nameplate

NP2349L

SPEC NO.	P36G3403	CAT.NO.	EM2544T-CI	FRAME	365T				
HP	50	VOLTS	230/460	PHASE	3	DESIGN	B	TYPE	P
RPM	1185	AMPS	120/60.3	HZ	60	AMB	40	SF	1.15
DRIVE END BEARING	65BC03J30X	DUTY	CONT	INSUL.CLASS	F				
OPP D.E. BEARING	65BC03J30X	ENCL	DP	CODE	G				
SER.NO.		POWER FACTOR	83	NEMA-NOM-EFFICIENCY	94.1				
		MAX CORR KVAR	15.0	GUARANTEED EFFICIENCY	93.6				
		NEMA NOM/CSA QUOTED EFF							
		MOTOR WEIGHT							

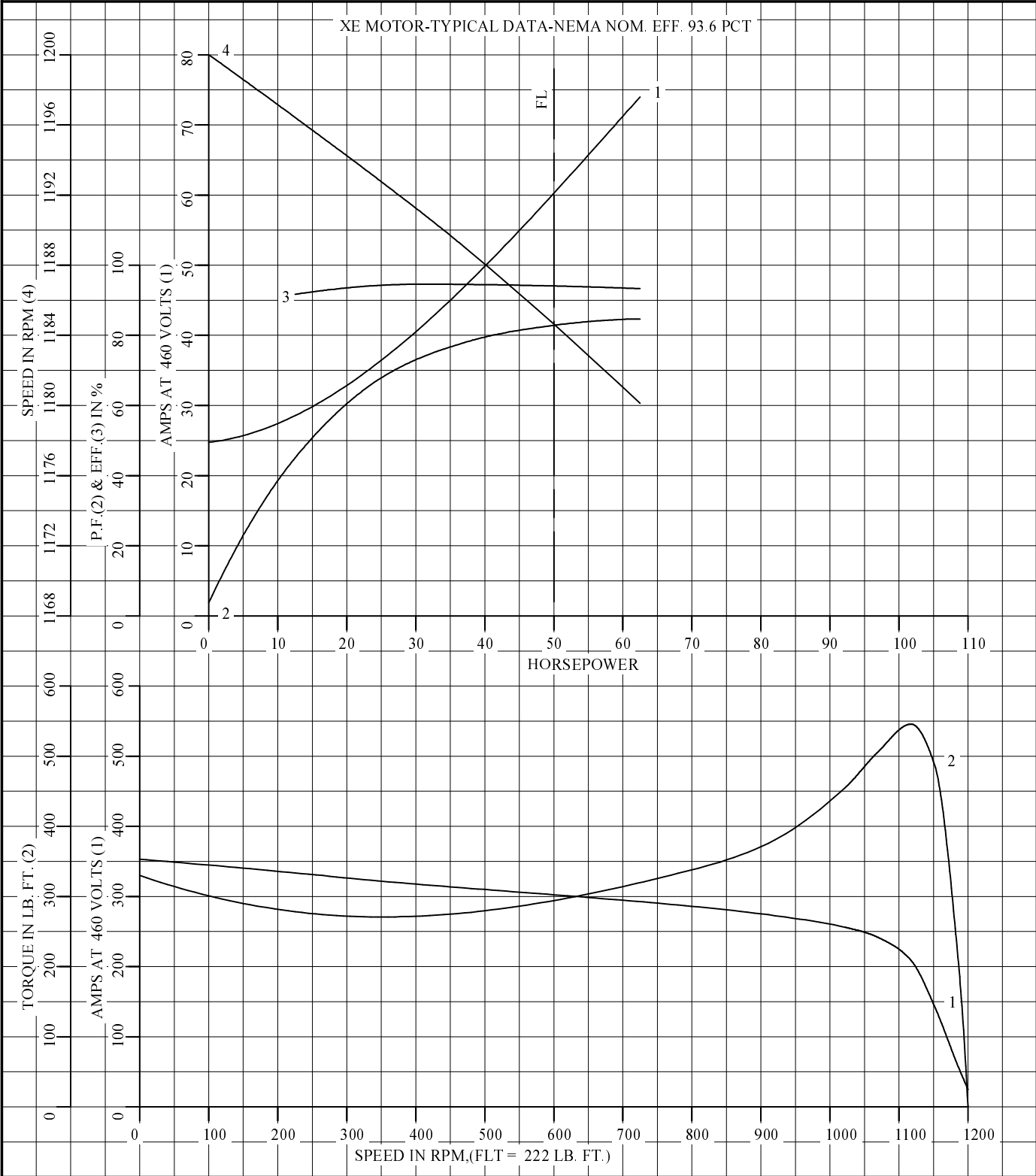
REL. S.O.	FRAME	HP	TYPE	PHASE/ HERTZ	RPM	VOLTS
	365T	50	P	3/60	1185	230/460
AMPS	DUTY	AMB °C/ INSUL.	S.F.	NEMA DESIGN	CODE LETTER	ENCL.
120/60.3	CONT	40/F	1.15	B	G	PROT
E/S	ROTOR	TEST S.O.	TEST DATE	STATOR RES. @25 °C OHMS (BETWEEN LINES)		
892140	418141-70-NE	---	---	.0393/.157		
PERFORMANCE						
LOAD	HP	AMPERES	RPM	% POWER FACTOR	% EFFICIENCY	
NO LOAD	0	24.8	1200	3.81	0	
1/4	12.5	28.4	1196	45.1	91.7	
2/4	25.0	36.6	1193	67.9	94.3	
3/4	37.5	47.5	1189	78.2	94.5	
4/4	50.0	60.1	1185	82.8	94.1	
5/4	62.5	74.0	1180	84.7	93.3	
SPEED TORQUE						
		RPM	TORQUE % FULL LOAD	TORQUE LB.-FT.	AMPERES	
LOCKED ROTOR		0	149	330	353	
PULL UP		350	122	271	322	
BREAKDOWN		1118	246	546	209	
FULL LOAD		1185	100	222	60.1	
<p>AMPERES SHOWN FOR 460. VOLT CONNECTION. IF OTHER VOLTAGE CONNECTIONS ARE AVAILABLE, THE AMPERES WILL VARY INVERSELY WITH THE RATED VOLTAGE</p> <p>REMARKS: TYPICAL DATA XE MOTOR-TYPICAL DATA-NEMA NOM. EFF. 93.6 PCT</p>						
		DR. BY <u>W. L. SMITH</u> CK. BY <u>J. J. HARRISON</u> APP. BY <u>W. L. SMITH</u> DATE <u>03/03/06</u>		A-C MOTOR PERFORMANCE DATA		
				A36WG0753-R001 ISSUE DATE 12/15/10		

FRAME 365T
HP 50
TYPE P
PHASE/HERTZ 3/60

VOLTS 230/460
AMPS 120/60.3
DUTY CONT
AMB °C/INSUL 40/F

NEMA DESIGN B
CODE LETTER G
ENCLOSURE PROT
E/S 892140

TEST S.O. TYPICAL DATA
TEST DATE ---
STATOR RES. @ 25 °C .0393/.157
OHMS (BETWEEN LINES)



AMPERES SHOWN FOR 460 VOLT CONNECTION, IF OTHER VOLTAGE CONNECTIONS ARE AVAILABLE, THE AMPERES WILL VARY INVERSELY WITH THE RATED VOLTAGE.



DR. BY W. L. SMITH
CK. BY J. J. HARRISON
APP. BY W. L. SMITH
DATE 03/03/06

**A-C MOTOR
PERFORMANCE CURVES** A36WG0753-R001
ISSUE DATE 12/15/10

REL. S.O.

RPM 1185

S.F. 1.15

ROTOR 418141-70-NE

FRAME 365T

VOLTS 230/460

NEMA DESIGN B

TEST S.O. TYPICAL DATA

HP 50

AMPS 120/60.3

CODE LETTER G

TEST DATE ---

TYPE P

DUTY CONT

ENCLOSURE PROT

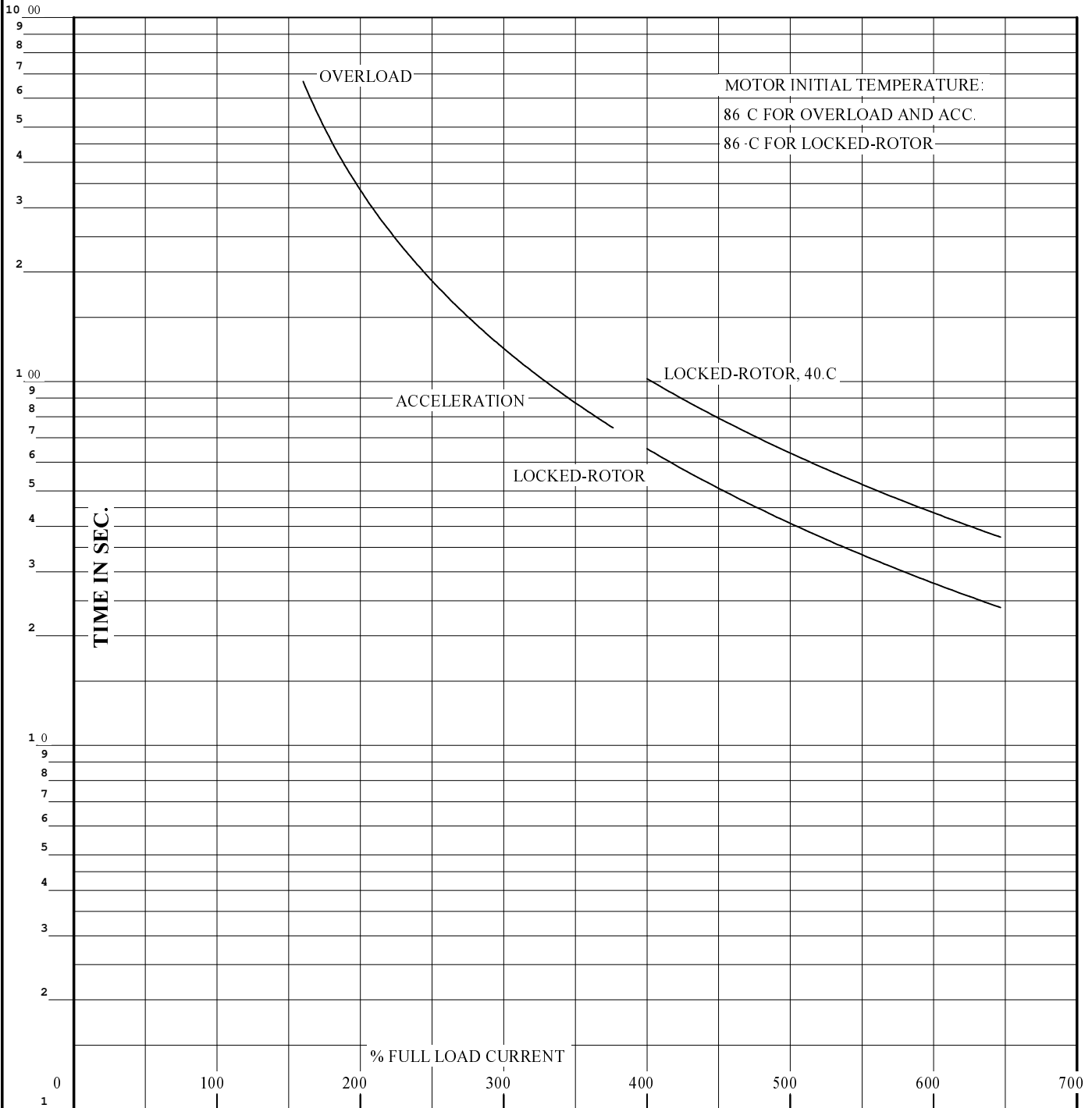
STATOR RES. @ 25 °C .0393/.157

PHASE/HERTZ 3/60

AMB °C/INSUL 40/F

E/S 892140

OHMS (BETWEEN LINES)



THERMAL LIMIT CURVE

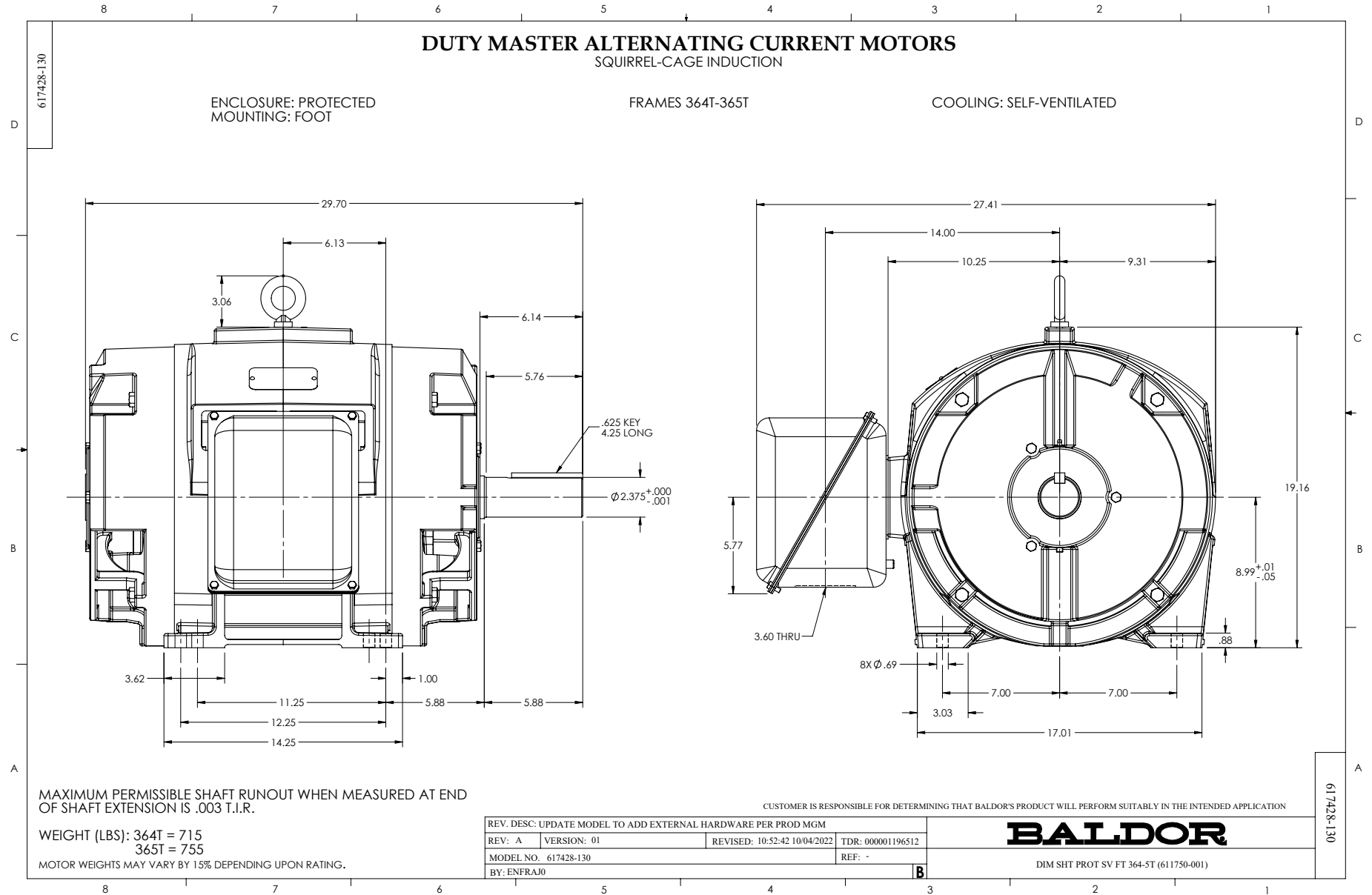
REMARKS: XE MOTOR-TYPICAL DATA-NEMA NOM. EFF. 93.6 PCT

AMPERES SHOWN FOR 460 VOLT CONNECTION, IF OTHER VOLTAGE CONNECTIONS ARE AVAILABLE, THE AMPERES WILL VARY INVERSELY WITH THE RATED VOLTAGE.



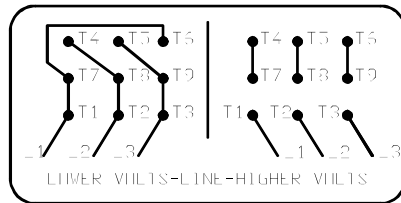
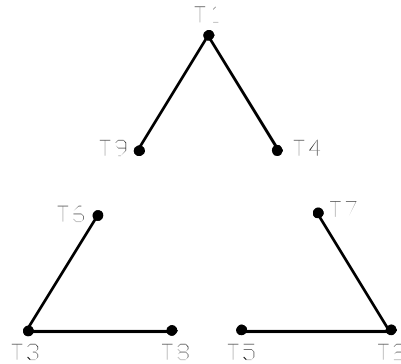
DR. BY W. L. SMITH
CK. BY J. J. HARRISON
APP. BY W. L. SMITH
DATE 03/03/06

**A-C MOTOR
PERFORMANCE CURVES** A36WG0753-R001
ISSUE DATE 12/15/10



416820-002

A-C MOTOR
CONNECTION DIAGRAM
STANDARD 9 LEAD DELTA-CONNECTED



(N.P. 1575-B)

416820-002

REV. DESC: FONT CHANGE FOR PDF SEARCHABLE		
REV. LTR: A	VERSION: 01	TDR: 000001009382
FILE: \MGA\00000\661	REVISED: 02:46:19 02/13/2020	BY: MGHMTT
MTL: -		©

BALDOR - RELIANCE®

CONN DIAG - STANDARD 9 LEAD, DELTA-CONNECTED

SH 1 of 1