

BALDOR® • RELIANCE™

Customer information packet

EM2542T-G

50HP, 3525RPM, 3PH, 60HZ, 324TS, 4058M, OPSB, F

Specifications

Enclosure	OPSB
Frame	324TS
Frame Material	Steel
Frequency	60.00 Hz
Motor Letter Type	Three Phase
Output @ Frequency	50.000 HP @ 60 HZ
Phase	3
Synchronous Speed @ Frequency	3600 RPM @ 60 HZ
Voltage @ Frequency	230.0 V @ 60 HZ 460.0 V @ 60 HZ
Agency Approvals	CSA CSA EEV UR
Ambient Temperature	40 °C
Auxillary Box	No Auxillary Box
Auxillary Box Lead Termination	None
Base Indicator	Rigid
Bearing Grease Type	Polyrex EM (-20F +300F)
Blower	None
Current @ Voltage	124.000 A @ 208.0 V 56.000 A @ 460.0 V 112.000 A @ 230.0 V
Design Code	B
Drip Cover	No Drip Cover
Duty Rating	CONT
Efficiency @ 100% Load	93.0 %
Electrically Isolated Bearing	Not Electrically Isolated
Feedback Device	NO FEEDBACK
Front Face Code	Standard
Front Shaft Indicator	None
Heater Indicator	No Heater
High Voltage Full Load Amps	56.0 a

Part detail

Revision	U
Type	AC
Mech. spec.	40E295
Base	
Status	PRD/A
Elec. spec.	40WGW803
Layout	40LYE295
Eff. date	06-27-2024
CD Diagram	CD0180
Poles	02
Leads	9#8
Proprietary	False
Created date	12-09-2011

Insulation Class	H
Inverter Code	Inverter Ready
KVA Code	G
Lifting Lugs	Standard Lifting Lugs
Locked Bearing Indicator	No Locked Bearing
Motor Lead Exit	Ko Box
Motor Lead Quantity/Wire Size	9 @ 8 AWG
Motor Lead Termination	Flying Leads
Motor Standards	NEMA
Motor Type	4058M
Mounting Arrangement	F1
Number of Poles	2
Overall Length	25.69 IN
Power Factor	90
Product Family	General Purpose
Pulley End Bearing Type	Ball
Pulley Face Code	Standard
Pulley Shaft Indicator	Standard
Rodent Screen	None
Service Factor	1.15
Shaft Diameter	1.875 IN
Shaft Extension Location	Pulley End
Shaft Ground Indicator	Shaft Grounding
Shaft Rotation	Reversible
Shaft Slinger Indicator	No Slinger
Speed	3525 rpm
Speed Code	Single Speed
Starting Method	Direct on line
Thermal Device - Bearing	None
Thermal Device - Winding	None
Vibration Sensor Indicator	No Vibration Sensor
Winding Thermal 1	None
Winding Thermal 2	None

Nameplate

NP3554LUA

CAT.NO.	EM2542T-G	P/N		ENCL	OPSB
SPEC.	40E295W803G1	CC	010A	FRAME	324TS
HP	50	CLASS	H	HZ	60
RPM	3525	PH	3	DES	A
VOLTS	230/460	CODE	G	ODE BRG	6309
AMPS	112/56	DE BRG			6312
RATING	40C AMB-CONT	NEMA-NOM-EFF	93	GREASE	POLYREX EM
PF	90	SER.F.	1.15	CT30-60(2:1) VT3-60(20:1)	
USABLE AT	50HZ 50HP 190/380V 138/69A		SF1.0		
HTR-VOLTS	HTR-AMPS	MAX. SPACE HEATER TEMP.			

AC Induction Motor Performance Data

Record # 53039

Typical performance - not guaranteed values

Winding: 40WGW803-R006		Type: 4058M		Enclosure: OPSB	
Nameplate Data			460 V, 60 Hz: High Voltage Connection		
Rated Output (HP)	50	Full Load Torque	74.7 LB-FT		
Volts	230/460	Start Configuration	direct on line		
Full Load Amps	112/56	Breakdown Torque	168 LB-FT		
R.P.M.	3525	Pull-up Torque	115 LB-FT		
Hz	60	Phase	3	Locked-rotor Torque	135 LB-FT
NEMA Design Code	A	KVA Code	G	Starting Current	376 A
Service Factor (S.F.)	1.15	No-load Current	14.2 A		
NEMA Nom. Eff.	93	Power Factor	90	Line-line Res. @ 25°C	0.1415 Ω
Rating - Duty	40C AMB-CONT		Temp. Rise @ Rated Load	47°C	
S.F. Amps			Temp. Rise @ S.F. Load	60°C	
			Locked-rotor Power Factor	23.2	
			Rotor inertia	2.49 LB-FT ²	

Load Characteristics 460 V, 60 Hz, 50 HP

% of Rated Load	25	50	75	100	125	150	S.F.
Power Factor	66	83	88	90	90	90	90
Efficiency	92.9	94.4	94.1	93.3	92.2	90.5	92.6
Speed	3581.7	3565.2	3545.9	3526.6	3505.2	3475.1	3514
Line amperes	20	30.4	42.8	56.3	70.7	89.9	64.9

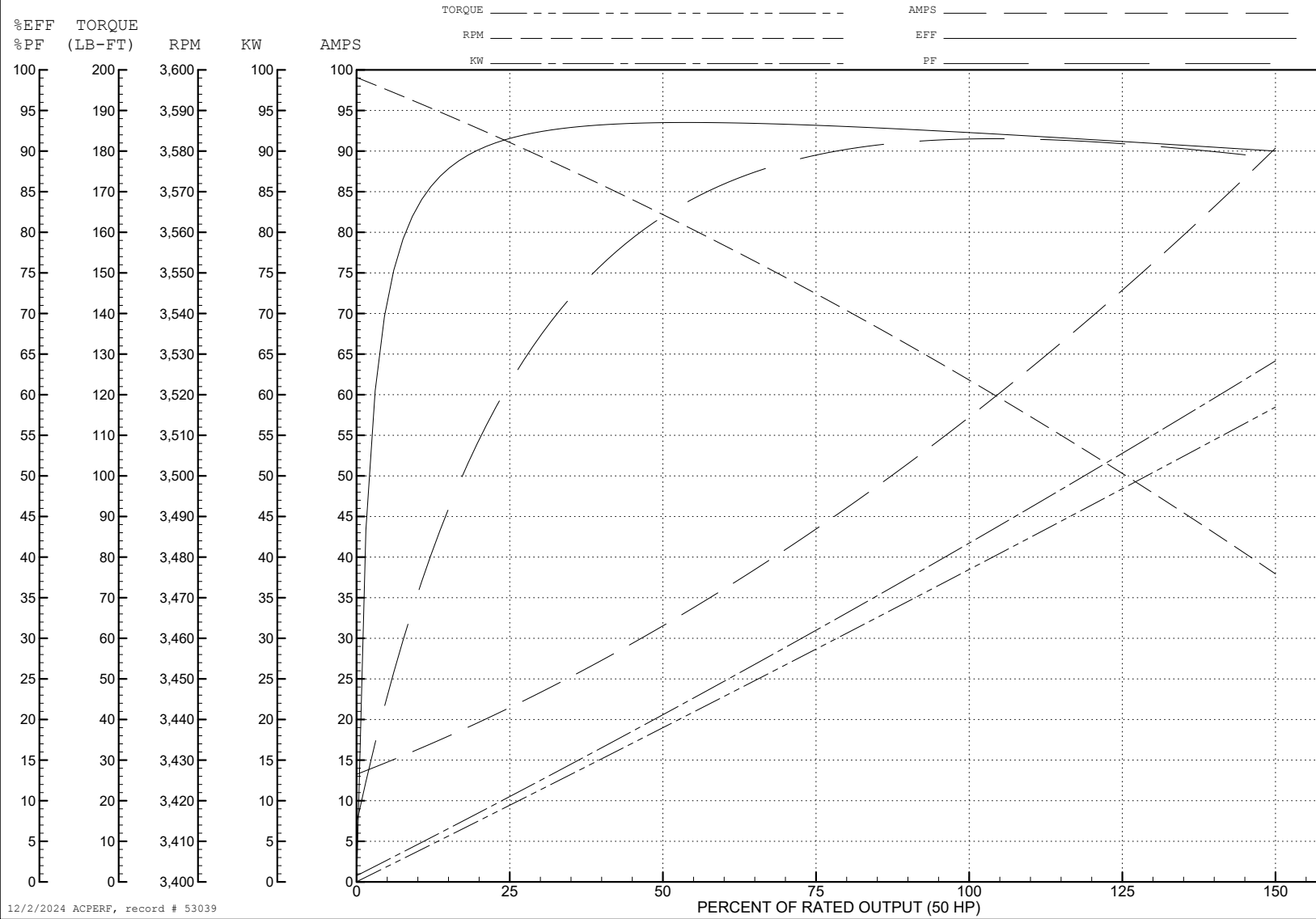
ABB Motors and Mechanical Inc.

WINDING # 40WG803

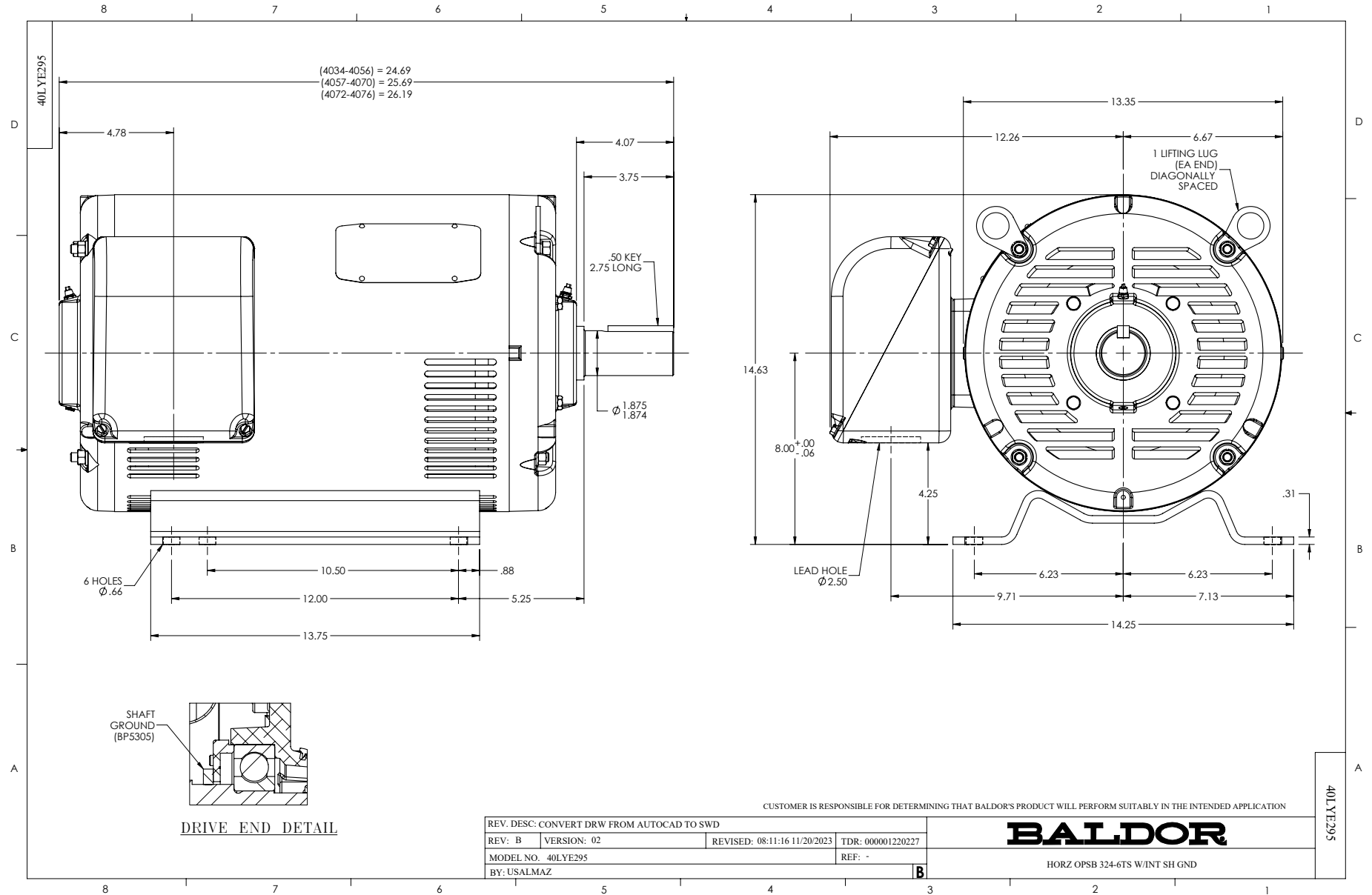
Typical performance - not guaranteed values.

50 HP 3 PH 60 HZ 3525 RPM 460 V 4058M

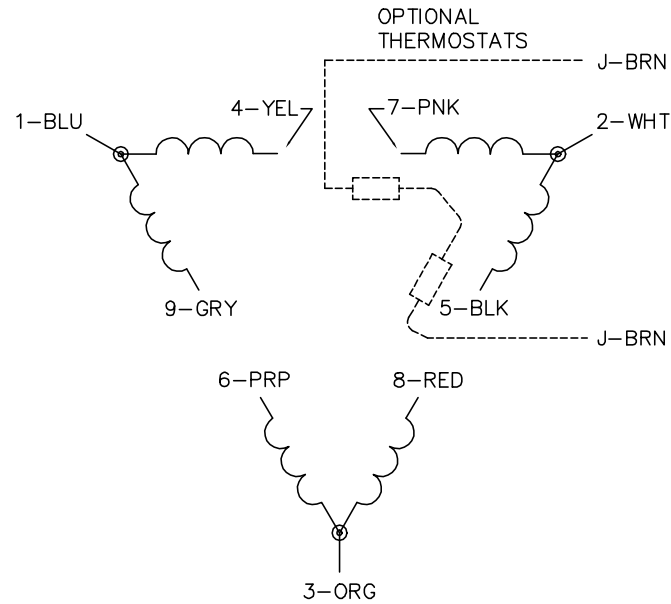
TORQUES (LB-FT): PO=168 PU=115 LR=135 LRA=376



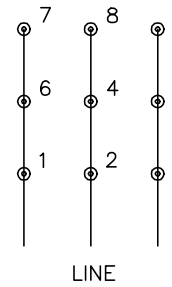
12/2/2024 ACPERF, record # 53039



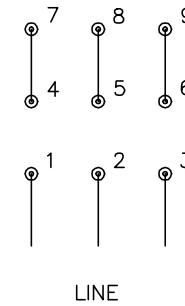
CD0180



LOW VOLTAGE
(2D)



HIGH VOLTAGE
(1D)



NOTES:

1. INTERCHANGE ANY TWO LINE LEADS TO REVERSE ROTATION.
2. OPTIONAL THERMOSTATS ARE PROVIDED WHEN SPECIFIED.
3. ACTUAL NUMBER OF INTERNAL PARALLEL CIRCUITS MAY BE A MULTIPLE OF THOSE SHOWN ABOVE.
4. LEAD COLORS ARE OPTIONAL. LEADS MUST ALWAYS BE NUMBERED AS SHOWN.

CD0180

REV. DESC: ADD CLASS CONN00000007		
REV. LTR: D	VERSION: 01	TDR: 000001099922
FILE: \AAA\00005\148	REVISED: 10:25:29 02/19/2019	BY: ENBRIRO
MTL: -	© □	

BALDOR - RELIANCE®

3PH, DV, 9 LEADS, DELTA CONNECTION

SH 1 of 1