

39LYE366

D

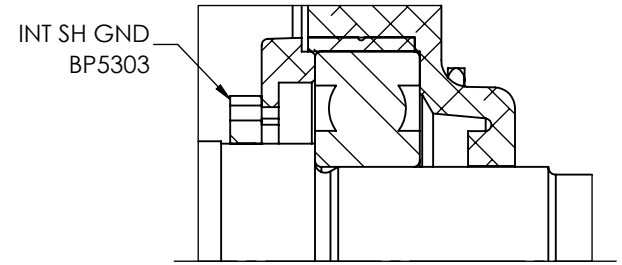
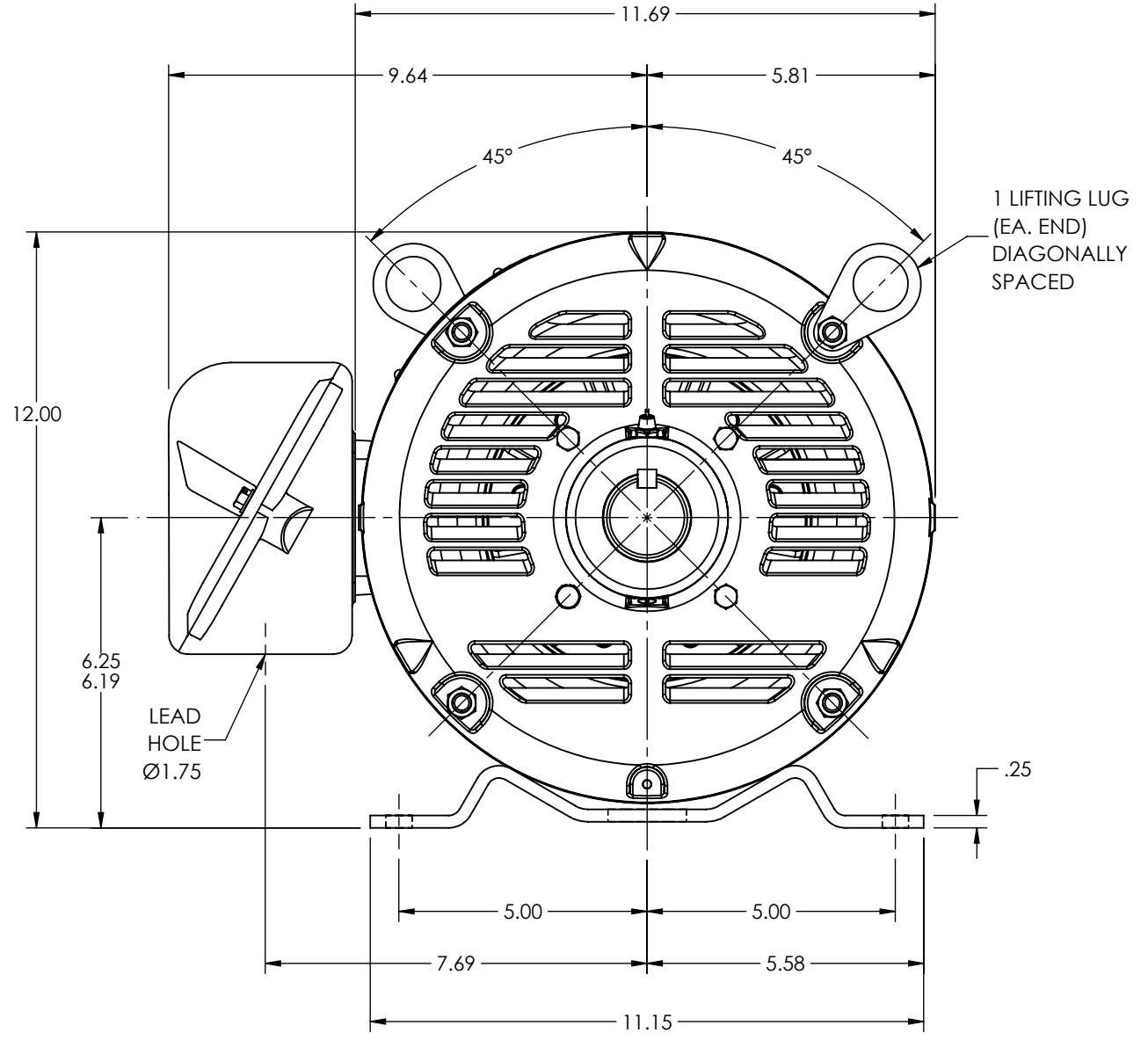
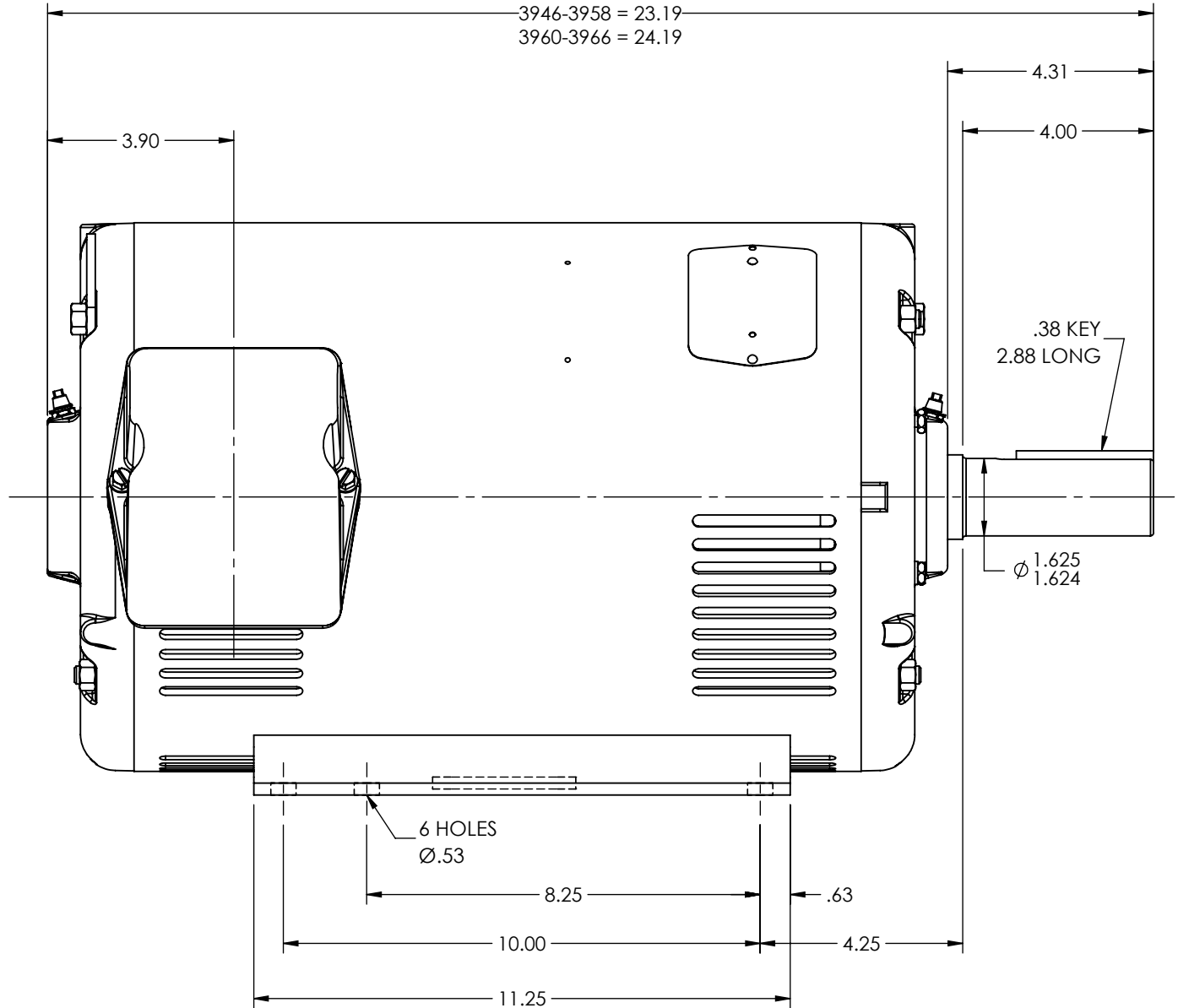
C

B

A

8 7 6 5 4 3 2 1

3920-3944 = 21.69
3946-3958 = 23.19
3960-3966 = 24.19



PU. BRG. RETAINER DETAIL

D

C

B

A

39LYE366

CUSTOMER IS RESPONSIBLE FOR DETERMINING THAT THE PRODUCT WILL PERFORM SUITABLY IN THE INTENDED APPLICATION

REV. DESC: UPDATE NP GRAPHICS TO MATCH NP USED ON CAT SPECS			
REV: E	VERSION: 05	REVISED: 08:38:51 07/20/2022	TDR: 000001193922
MODEL NO. 39LYE366			REF: -
BY: USBUFRA			B

BALDOR - RELIANCE®

HORZ OPSB 254-6T W/INT SH GND

8 7 6 5 4 3 2 1