

BALDOR • RELIANCE

Customer information packet

EM251452T-4

450HP, 3570RPM, 3PH, 60HZ, 449TS, A44112M, DP

Class - None

Division - Not Applicable

Specifications

Enclosure	DP
Frame	449TS
Frame Material	Iron
Frequency	60.00 Hz
Haz Area Class and Group	None
Haz Area Division	Not Applicable
Motor Letter Type	Three Phase
Output @ Frequency	450.000 HP @ 60 HZ
Phase	3
Synchronous Speed @ Frequency	3600 RPM @ 60 HZ
Voltage @ Frequency	460.0 V @ 60 HZ
Agency Approvals	CCSAUSEEV
Ambient Temperature	40 °C
Auxillary Box	No Auxillary Box
Base Indicator	Rigid
Bearing Grease Type	Polyrex EM (-20F +300F)
Current @ Voltage	494.000 A @ 460.0 V
Design Code	B
Drip Cover	No Drip Cover
Duty Rating	CONT
Efficiency @ 100% Load	96.2 %
Feedback Device	NO FEEDBACK
Heater Indicator	No Heater
High Voltage Full Load Amps	494.0 a
Insulation Class	F
Inverter Code	Inverter Ready
IP Rating	NONE
KVA Code	F
Lifting Lugs	Standard Lifting Lugs
Motor Lead Quantity/Wire Size	12 @ 1 AWG
Motor Standards	NEMA
Motor Type	A44112M

Part detail

Revision	D
Type	AC
Mech. spec.	
Base	
Status	PRD/A
Elec. spec.	A44WG2693
Layout	604989-664
Eff. date	07-01-2022
CD Diagram	416820-008
Poles	02
Leads	6#1 (02 per group)
Proprietary	False
Created date	02-09-2015

Mounting Arrangement	F1
Number of Poles	2
Overall Length	44.31 IN
Power Factor	88
Product Family	General Industrial
Pulley End Bearing Type	Ball
Pulley Face Code	Standard
Service Factor	1.15
Shaft Diameter	2.375 IN
Shaft Ground Indicator	No Shaft Grounding
Shaft Rotation	Reversible
Shaft Slinger Indicator	No Slinger
Speed	3570 rpm
Speed Code	Single Speed
Starting Method	Wye Start - Delta Run
Thermal Device - Bearing	None
Thermal Device - Winding	None

Nameplate

NP2496L	
MOBIL POLYREX EM	

NP2349L

SPEC NO.	A44-6799-2693	CAT.NO.	EM251452T-4	FRAME	449TS
HP	450	VOLTS	460	PHASE	3
		DESIGN	B	TYPE	P
RPM	3570	AMPS	494	HZ	60
		AMB	40	SF	1.15
DRIVE END BEARING	65BC03J30X	DUTY	CONT	INSUL.CLASS	F
OPP D.E. BEARING	65BC03J30X	ENCL	DP	CODE	F
SER.NO.		POWER FACTOR	88	NEMA-NOM-EFFICIENCY	96.2
		MAX CORR KVAR	75	GUARANTEED EFFICIENCY	95.4
		NEMA NOM/CSA QUOTED EFF			
		MOTOR WEIGHT	2080		

604989-664

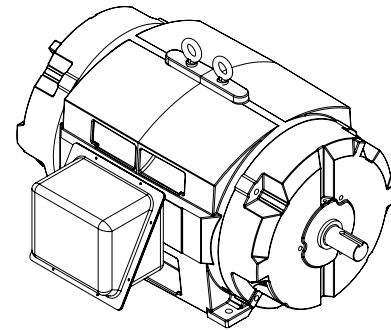
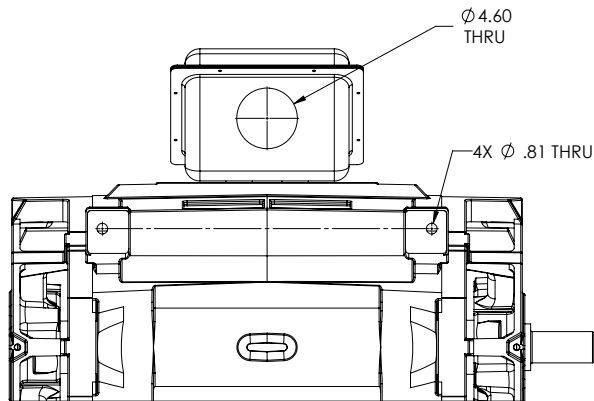
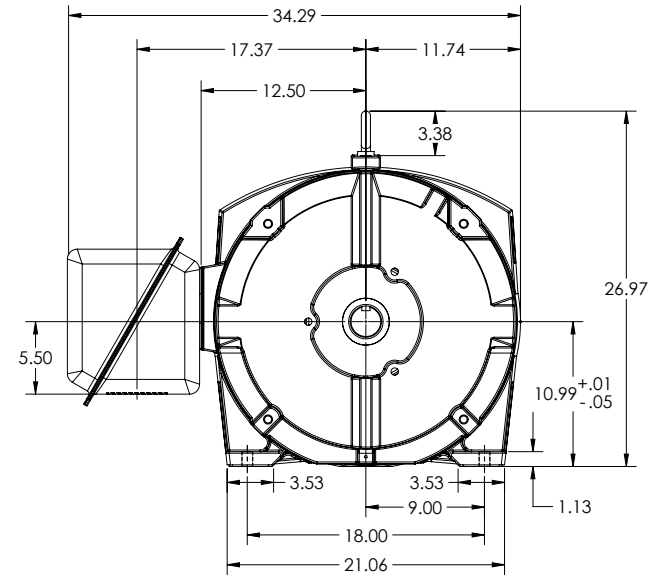
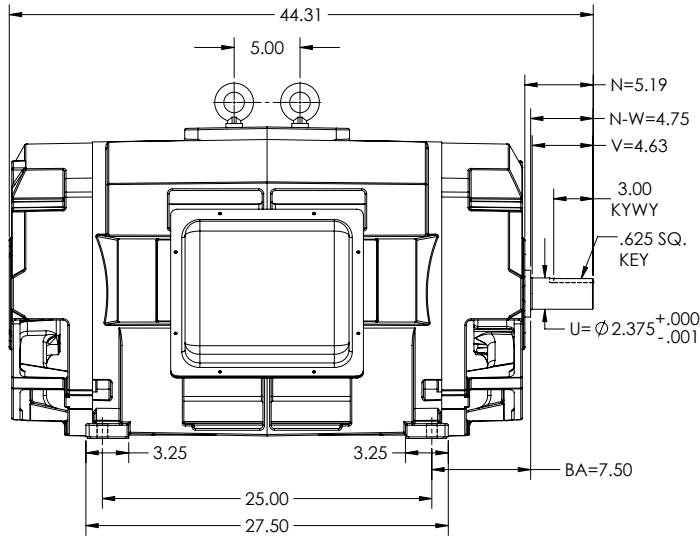
ENCLOSURE: OPEN DRIP-PROOF

DUTY MASTER ALTERNATING CURRENT MOTORS
SQUIRREL-CAGE INDUCTION

MOUNTING: FOOT, F-1

E449TS FRAME MOUNTING

COOLING: NON-VENTILATED



DIMENSIONS ARE IN INCHES.
WEIGHT (LBS) 2100, MAY VARY 15% DEPENDING ON RATING.
CUSTOMER IS RESPONSIBLE FOR DETERMINING THAT MOTOR PERFORMANCE IS SUITABLE IN THE APPLICATION.

SHEET NUMBER
1 OF 1

IF MOUNTING CLEARANCE DETAILS ARE REQUIRED, CONSULT FACTORY.

F99-686F09

MAX PERMISSIBLE SHAFT RUNOUT WHEN MEASURED AT END OF STANDARD SHAFT EXTENSION IS .003 T.I.R.

REV. DESC: NEW	VERSION: 00	REVISED: 10/26/10 10/22/2020	TDR: 000001151313
MODEL NO. 604989-664	BY: USRSUL		

BALDOR

449TS ODP F1 FT S

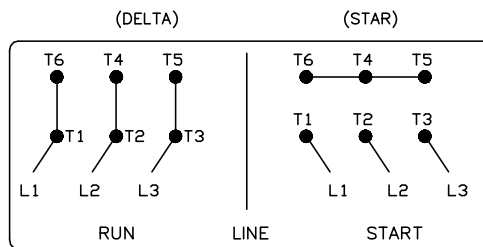
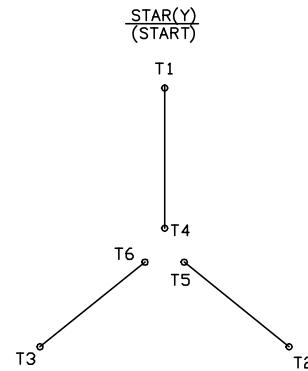
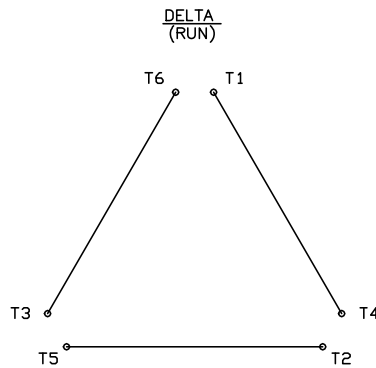
F99-686F09

416820-008

A-C MOTOR CONNECTION DIAGRAM

STANDARD 6 LEAD

Y START – DELTA RUN



< N. P. 1767-DC >

REV. DESC: ADDED T4 TO Y CONNECT DIAGRAM		
REV. LTR: D	VERSION: 04	TDR: 00000847713
FILE: \RAG\00001\808	REVISED: 10: 41: 26 04/08/2014	BY: RAGJSS1
MTL: -	© □	



CONNECT DIAGRAM STD 6 LEAD Y START DELTA RUN

SH 1 of 1

416820-008