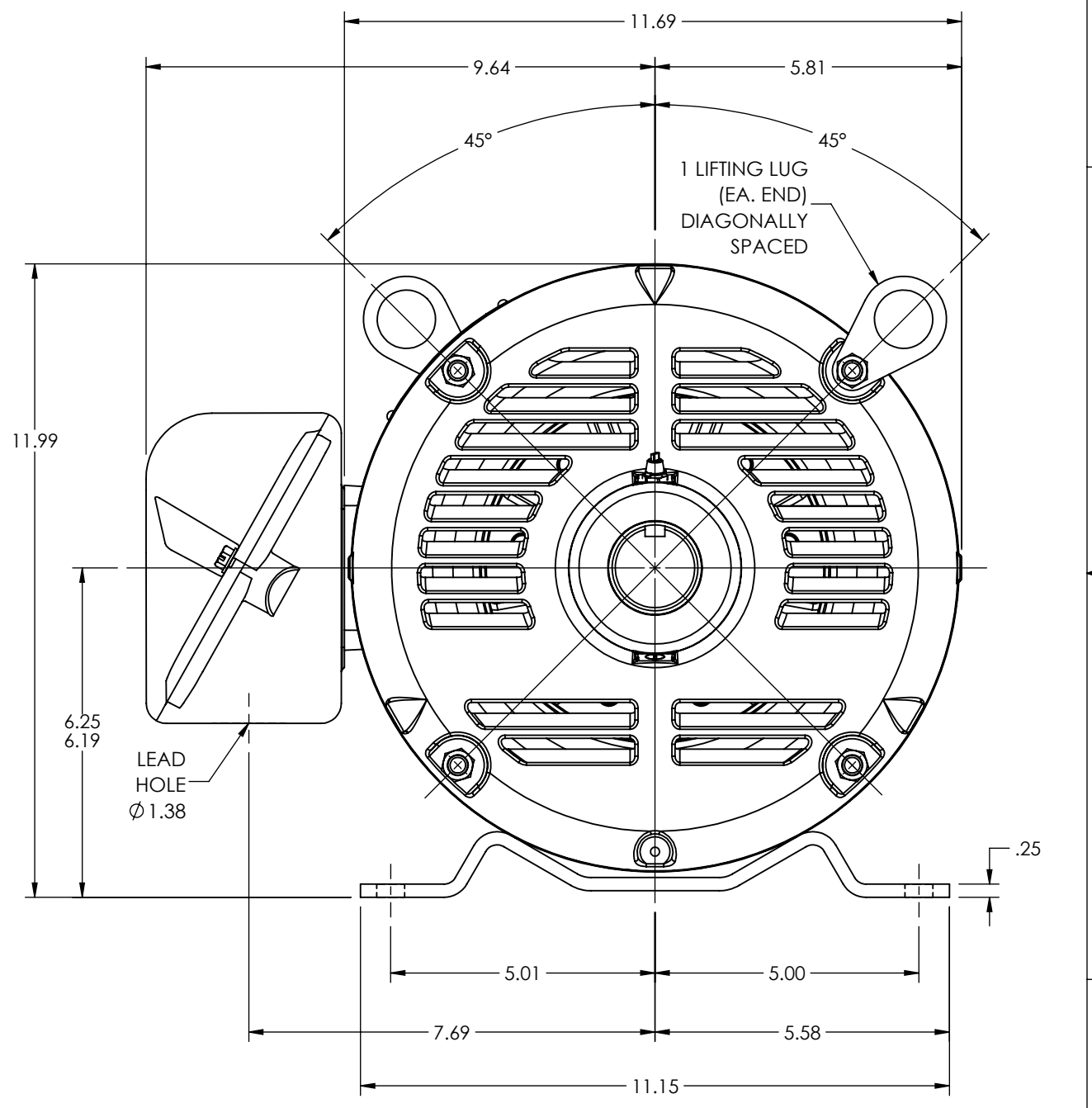
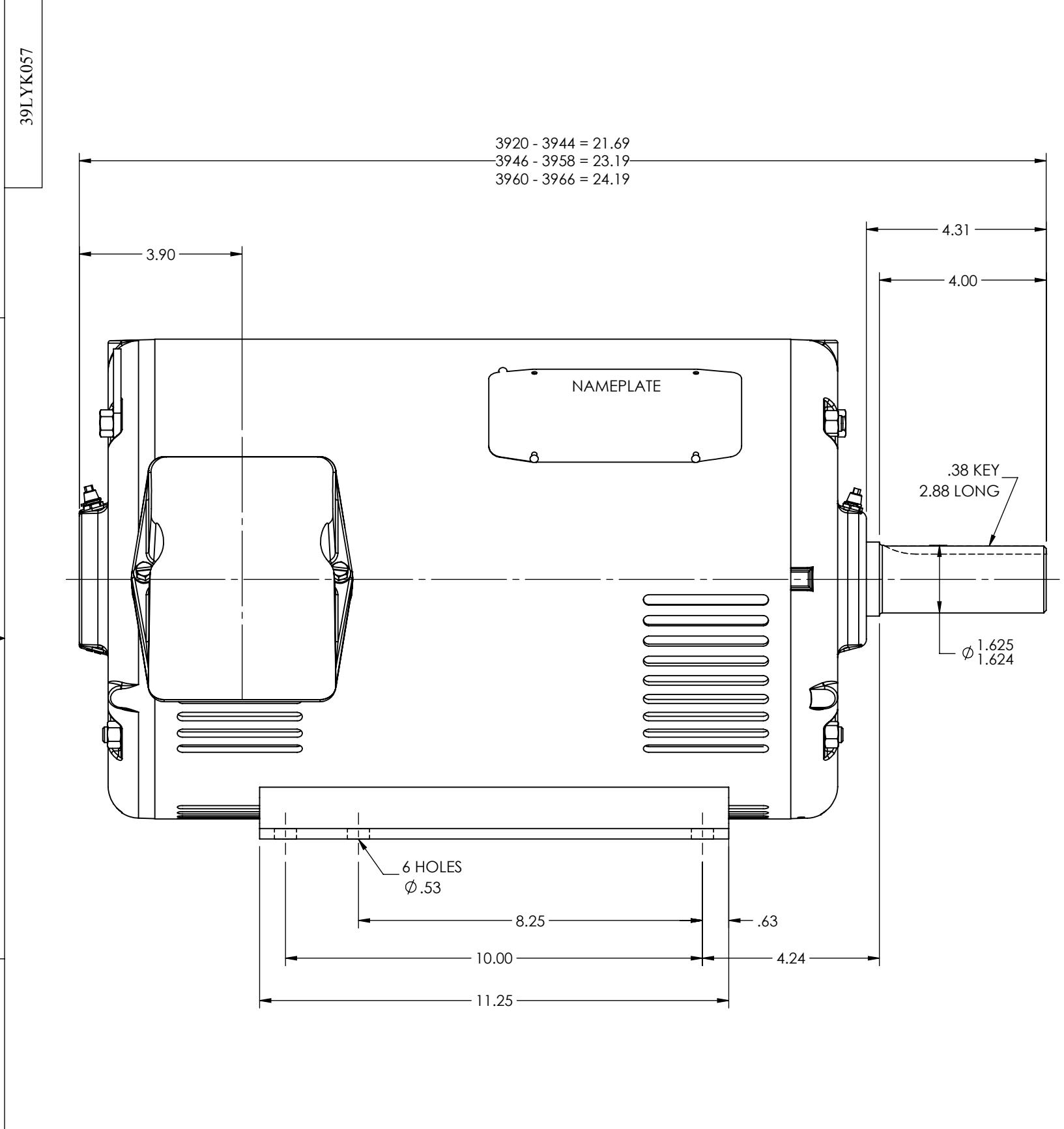


8 7 6 5 4 3 2 1



CUSTOMER IS RESPONSIBLE FOR DETERMINING THAT THE PRODUCT WILL PERFORM SUITABLY IN THE INTENDED APPLICATION

REV. DESC: LOAD DRAWING TO SOLIDWORKS			
REV: J	VERSION: 07	REVISED: 03:00:55 02/11/2020	TDR: 000001132140
MODEL NO. 39LYK057			REF: -
BY: ENALEM0			B

BALDOR - RELIANCE®

HORZ OPSB 254-6T SUPER-E

8 7 6 5 4 3 2 1

39LYK057