

**BALDOR • RELIANCE**

---

# Customer information packet

## EM2513T-5BG

15HP, 1765RPM, 3PH, 60HZ, 254T, 3948M, OPSB, F1

Class - None

Division - Not Applicable

Copyright © All product information within this document is subject to ABB Motors and Mechanical Inc. copyright © protection, unless otherwise noted.

1/23/2025 5:17:15 PM

## Specifications

Enclosure	OPSB
Frame	254T
Frame Material	Steel
Frequency	60.00 Hz
Haz Area Class and Group	None
Haz Area Division	Not Applicable
Motor Letter Type	Three Phase
Output @ Frequency	15.000 HP @ 60 HZ
Phase	3
Synchronous Speed @ Frequency	1800 RPM @ 60 HZ
Voltage @ Frequency	575.0 V @ 60 HZ
Ambient Temperature	40 °C
Auxillary Box	No Auxillary Box
Auxillary Box Lead Termination	None
Base Indicator	Rigid
Bearing Grease Type	Polyrex EM (-20F +300F)
Blower	None
Current @ Voltage	14.200 A @ 575.0 V
Design Code	A
Drip Cover	No Drip Cover
Duty Rating	CONT
Efficiency @ 100% Load	93.0 %
Electrically Isolated Bearing	Not Electrically Isolated
Feedback Device	NO FEEDBACK
Front Face Code	Standard
Front Shaft Indicator	None
Heater Indicator	No Heater
High Voltage Full Load Amps	14.2 a
Insulation Class	H
Inverter Code	Inverter Ready
KVA Code	H
Lifting Lugs	Standard Lifting Lugs

## Part detail

Revision	K
Type	AC
Mech. spec.	39E531
Base	
Status	PRD/A
Elec. spec.	39WGY386
Layout	39LYE531
Eff. date	11-14-2023
CD Diagram	CD0006
Poles	04
Leads	3#12
Proprietary	False
Created date	09-29-2017

<b>Locked Bearing Indicator</b>	No Locked Bearing
<b>Motor Lead Exit</b>	Ko Box
<b>Motor Lead Quantity/Wire Size</b>	3 @ 10 AWG
<b>Motor Lead Termination</b>	Flying Leads
<b>Motor Standards</b>	NEMA
<b>Motor Type</b>	3948M
<b>Mounting Arrangement</b>	F1
<b>Number of Poles</b>	4
<b>Overall Length</b>	23.19 IN
<b>Power Factor</b>	85
<b>Product Family</b>	General Purpose
<b>Pulley End Bearing Type</b>	Ball
<b>Pulley Face Code</b>	Standard
<b>Pulley Shaft Indicator</b>	Standard
<b>Rodent Screen</b>	None
<b>Service Factor</b>	1.15
<b>Shaft Diameter</b>	1.625 IN
<b>Shaft Extension Location</b>	Pulley End
<b>Shaft Ground Indicator</b>	Shaft Grounding
<b>Shaft Rotation</b>	Reversible
<b>Shaft Slinger Indicator</b>	No Slinger
<b>Speed</b>	1765 rpm
<b>Speed Code</b>	Single Speed
<b>Starting Method</b>	Direct on line
<b>Thermal Device - Bearing</b>	None
<b>Thermal Device - Winding</b>	None
<b>Vibration Sensor Indicator</b>	No Vibration Sensor
<b>Winding Thermal 1</b>	None
<b>Winding Thermal 2</b>	None

**Nameplate**

<b>NP1259L</b>									
<b>CAT.NO.</b>	EM2513T-5BG								
<b>SPEC.</b>	39E531Y386G1								
<b>HP</b>	15								
<b>VOLTS</b>	575								
<b>AMP</b>	14.2								
<b>RPM</b>	1765								
<b>FRAME</b>	254T		<b>HZ</b>	60		<b>PH</b>	3		
<b>SER.F.</b>	1.15	<b>CODE</b>	H	<b>DES</b>	A	<b>CL</b>	H		
<b>NEMA-NOM-EFF</b>	93	<b>PF</b>	85						
<b>RATING</b>	40C AMB-CONT								
<b>CC</b>	010A								
<b>DE</b>	6309		<b>ODE</b>	6208					
<b>ENCL</b>	OPSB	<b>SN</b>							

**AC Induction Motor Performance Data**

Record # 67098

Typical performance - not guaranteed values

Winding: 39WGY386-R002		Type: 3948M	Enclosure: OPSB	
<b>Nameplate Data</b>			<b>575 V, 60 Hz: Single Voltage Motor</b>	
Rated Output (HP)	15	Full Load Torque	44.51 LB-FT	
Volts	575	Start Configuration	direct on line	
Full Load Amps	14.2	Breakdown Torque	144 LB-FT	
R.P.M.	1765	Pull-up Torque	61.77 LB-FT	
Hz	60	Locked-rotor Torque	78.95 LB-FT	
NEMA Design Code	A	Starting Current	95.94 A	
Service Factor (S.F.)	1.15	No-load Current	5.26 A	
NEMA Nom. Eff.	93	Line-line Res. @ 25°C	0.906 Ω	
Rating - Duty	40C AMB-CONT	Temp. Rise @ Rated Load	26°C	
S.F. Amps		Temp. Rise @ S.F. Load	32°C	
		Locked-rotor Power Factor	33	
		Rotor inertia	2.1 LB-FT <sup>2</sup>	

**Load Characteristics 575 V, 60 Hz, 15 HP**

% of Rated Load	25	50	75	100	125	150	S.F.
Power Factor	50	72	81	85	87	87	86
Efficiency	89.8	93	93.4	93	92.3	91.2	92.6
Speed	1792	1785	1778	1769	1760	1750	1764
Line amperes	6.27	8.43	11.11	14.21	17.47	21.2	16.2

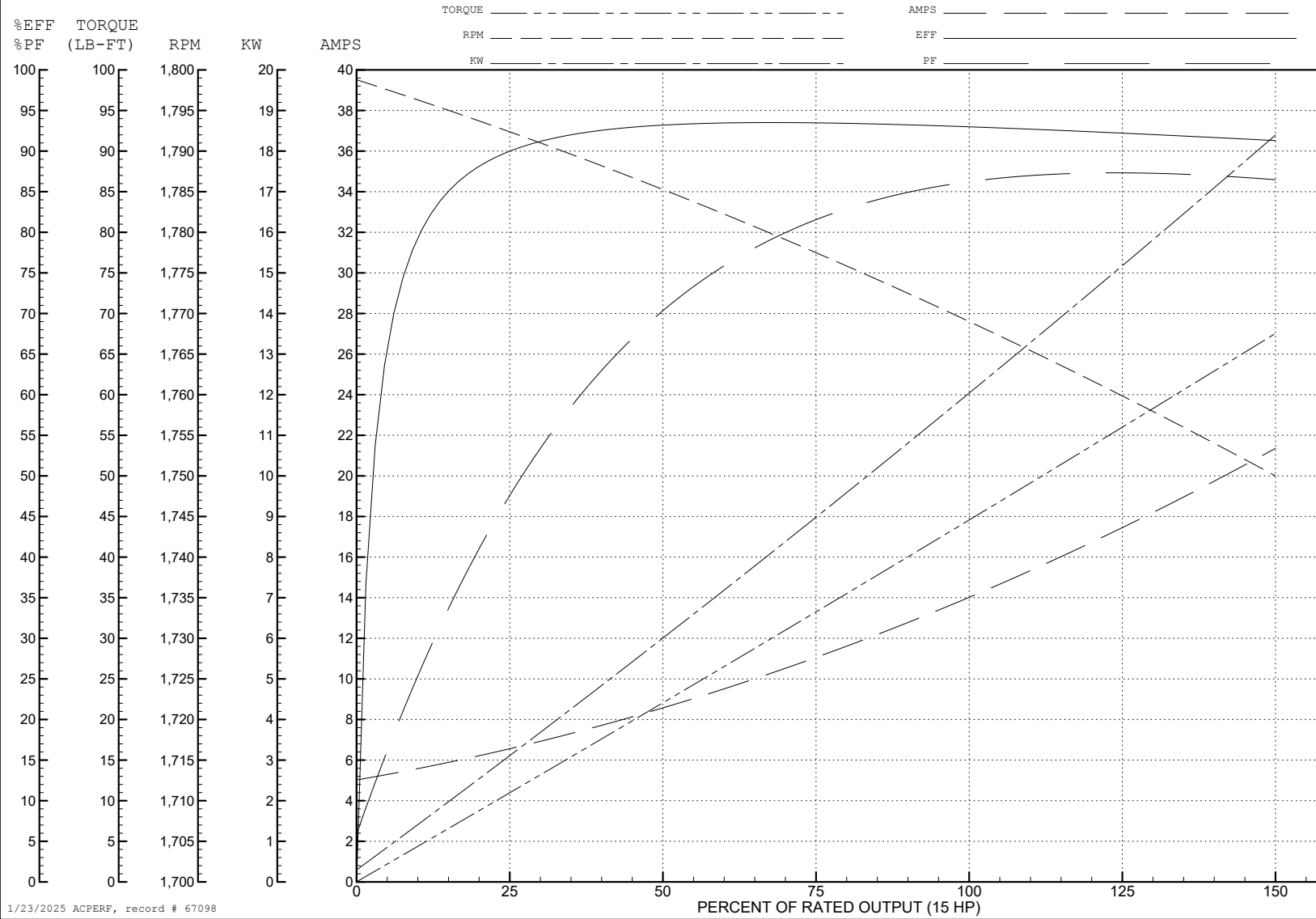
ABB Motors and Mechanical Inc.

WINDING # 39WGY386

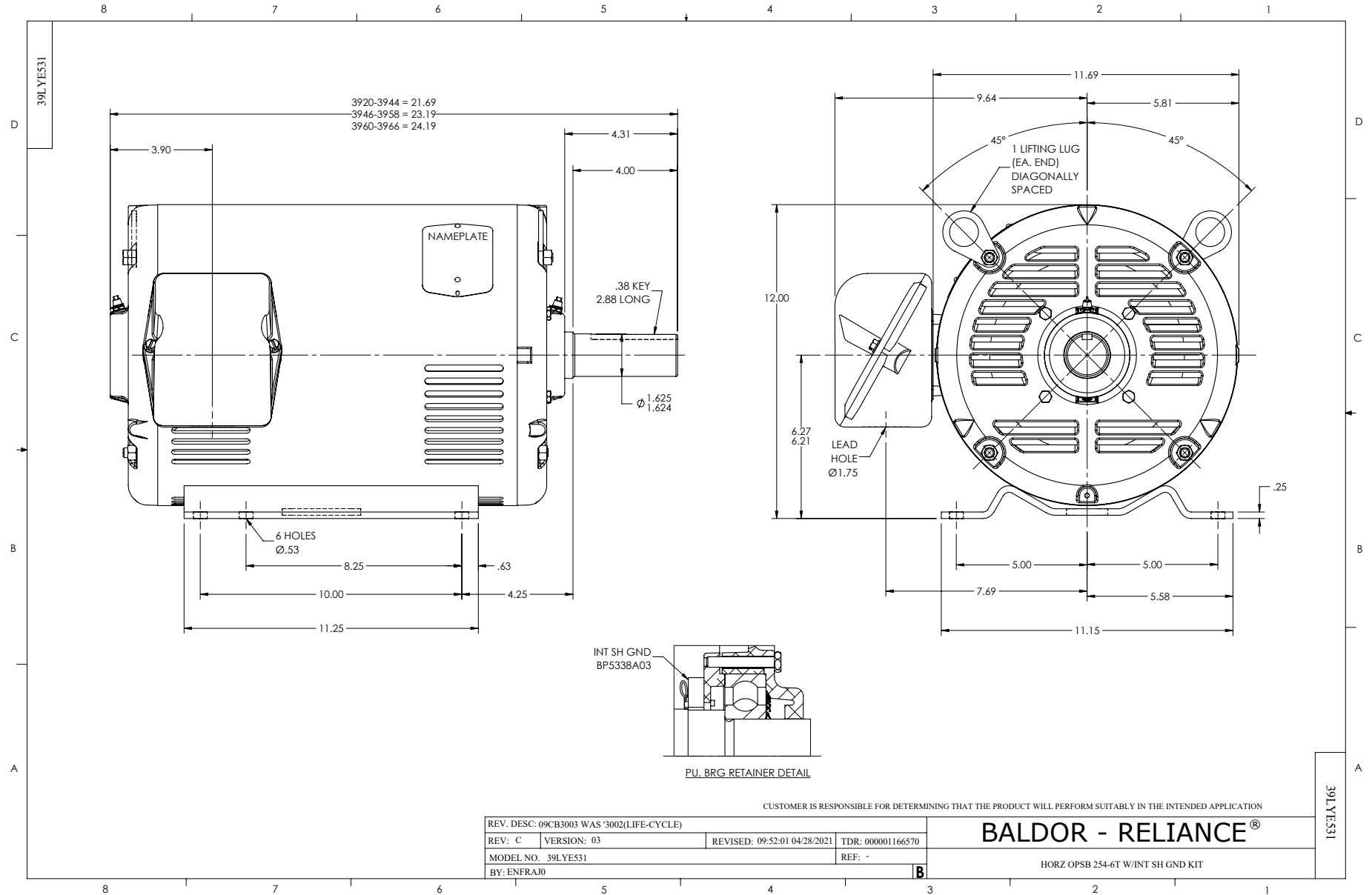
Typical performance - not guaranteed values.

15 HP 3 PH 60 HZ 1765 RPM 575 V 3948M

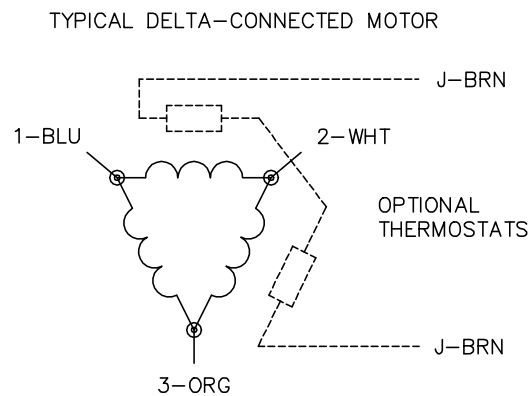
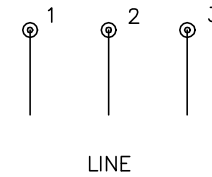
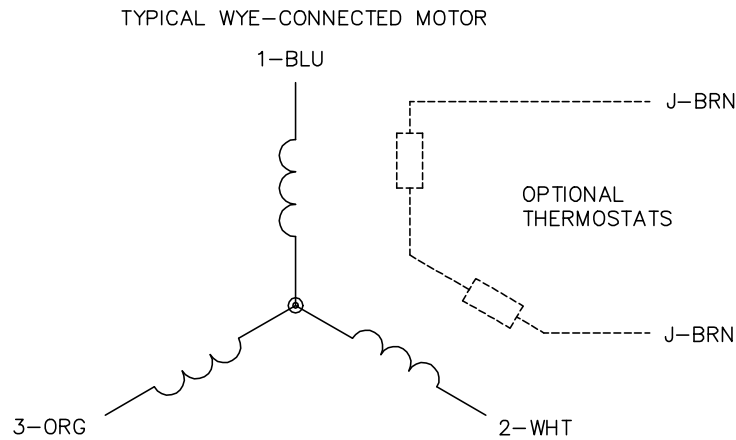
TORQUES (LB-FT): PO=144 PU=61.77 LR=78.95 LRA=95.94



1/23/2025 ACPERF, record # 67098



CD0006



NOTES:

1. THREE LEAD MOTOR MAY BE EITHER WYE CONNECTED OR DELTA CONNECTED.
2. INTERCHANGE ANY TWO LINE LEADS TO REVERSE ROTATION.
3. OPTIONAL THERMOSTATS ARE PROVIDED WHEN SPECIFIED.
4. ACTUAL NUMBER OF INTERNAL PARALLEL CIRCUITS MAY VARY.
5. LEAD COLORS ARE OPTIONAL. LEADS MUST BE NUMBERED AS SHOWN.

CD0006

REV. DESC: ADD CLASS CONN00000007		
REV. LTR: E	VERSION: 01	TDR: 000001099922
FILE: \AAA\00005\141	REVISED: 10:24:49 02/19/2019	BY: ENBRIRO
MTL: -	© □	

**BALDOR - RELIANCE®**

3PH, SV, 3 LEADS, WYE OR DELTA CONNECTED

SH 1 of 1