

# ABB BALDOR RELIANCE III

---

## Customer information packet

EM251352T-4

350HP, 3560RPM, 3PH, 60HZ, 447TSS, A44084M, DP

Class - None

Division - Not Applicable

**Specifications**

<b>Enclosure</b>	DP
<b>Frame</b>	447TSSTS
<b>Frame Material</b>	Iron
<b>Frequency</b>	60.00 Hz
<b>Haz Area Class and Group</b>	None
<b>Haz Area Division</b>	Not Applicable
<b>Motor Letter Type</b>	Three Phase
<b>Output @ Frequency</b>	350.000 HP @ 60 HZ
<b>Phase</b>	3
<b>Synchronous Speed @ Frequency</b>	3600 RPM @ 60 HZ
<b>Voltage @ Frequency</b>	460.0 V @ 60 HZ
<b>Agency Approvals</b>	CURUSEEV
<b>Ambient Temperature</b>	40 °C
<b>Auxiliary Box</b>	NO AUXILLARY BOX
<b>Base Indicator</b>	Rigid
<b>Bearing Grease Type</b>	Polyrex EM (-20F +300F)
<b>Current @ Voltage</b>	381.000 A @ 460.0 V
<b>Design Code</b>	B
<b>Drip Cover</b>	No Drip Cover
<b>Duty Rating</b>	CONT
<b>Efficiency @ 100% Load</b>	95.4 %
<b>Feedback Device</b>	NO FEEDBACK
<b>Heater Indicator</b>	No Heater
<b>High Voltage Full Load Amps</b>	381.0 a
<b>Insulation Class</b>	F
<b>Inverter Code</b>	Inverter Ready
<b>IP Rating</b>	NONE
<b>KVA Code</b>	F
<b>Lifting Lugs</b>	Standard Lifting Lugs
<b>Motor Lead Quantity/Wire Size</b>	12 @ 2 AWG
<b>Motor Standards</b>	NEMA
<b>Motor Type</b>	A44084M

**Part Detail**

<b>Revision</b>	J
<b>Type</b>	AC
<b>Mech. spec.</b>	
<b>Base</b>	
<b>Status</b>	PRD/A
<b>Elec. spec.</b>	A44WG2772
<b>Layout</b>	604989-483
<b>Eff. date</b>	09-25-2025
<b>CD Diagram</b>	416820-008
<b>Poles</b>	02
<b>Leads</b>	6#2 (02 per group)
<b>Proprietary</b>	False
<b>Created date</b>	02-12-2015

<b>Mounting Arrangement</b>	F1
<b>Number of Poles</b>	2
<b>Overall Length</b>	39.37 IN
<b>Power Factor</b>	90
<b>Product Family</b>	General Industrial
<b>Pulley End Bearing Type</b>	Ball
<b>Pulley Face Code</b>	Standard
<b>Service Factor</b>	1.15
<b>Shaft Diameter</b>	2.375 IN
<b>Shaft Ground Indicator</b>	No Shaft Grounding
<b>Shaft Rotation</b>	Reversible
<b>Shaft Slinger Indicator</b>	No Slinger
<b>Speed</b>	3560 rpm
<b>Speed Code</b>	Single Speed
<b>Starting Method</b>	Wye Start - Delta Run
<b>Thermal Device - Bearing</b>	None

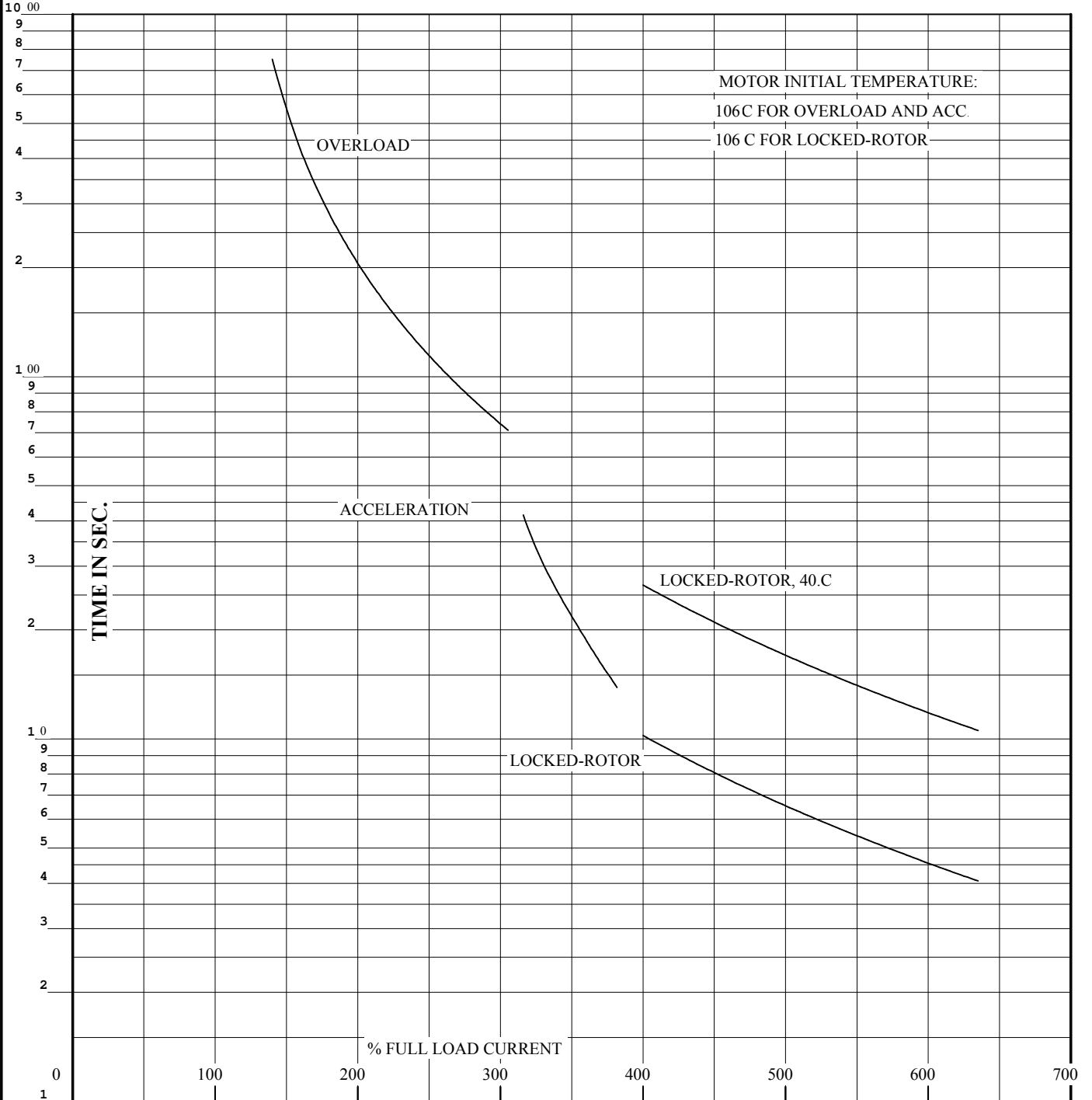
**Nameplate**

<b>NP2496L</b>
MOBIL POLYREX EM

**NP2349L**

<b>SPEC NO.</b>	A44-6795-2772	<b>CAT.NO.</b>	EM251352T-4	<b>FRAME</b>	447TSS/T
<b>HP</b>	350	<b>VOLTS</b>	460	<b>PHASE</b>	3
<b>RPM</b>	3560	<b>AMPS</b>	381	<b>DESIGN</b>	B
<b>DRIVE END BEARING</b>	65BC03J30X	<b>DUTY</b>	CONT	<b>TYPE</b>	P
<b>OPP D.E. BEARING</b>	65BC03J30X	<b>ENCL</b>	DP	<b>INSUL.CLASS</b>	F
<b>SER.NO.</b>		<b>CODE</b>	F	<b>POWER FACTOR</b>	90
				<b>NEMA-NOM-EFFICIENCY</b>	95.4
				<b>MAX CORR KVAR</b>	45
				<b>GUARANTEED EFFICIENCY</b>	94.5
				<b>NEMA NOM/CSA QUOTED EFF</b>	
				<b>MOTOR WEIGHT</b>	

REL. S.O.	RPM <b>3560</b>	S.F. <b>1.15</b>	ROTOR <b>418143014ZE</b>
FRAME <b>447TS</b>	VOLTS <b>460</b>	NEMA DESIGN <b>B</b>	TEST S.O. <b>TYPICAL DATA</b>
HP <b>350</b>	AMPS <b>381</b>	CODE LETTER <b>F</b>	TEST DATE <b>---</b>
TYPE <b>P</b>	DUTY <b>CONT</b>	ENCLOSURE <b>ODP</b>	STATOR RES.@ 25 °C <b>.0127</b>
PHASE/HERTZ <b>3/60</b>	AMB °C/INSUL <b>40/B</b>	E/S <b>433582</b>	OHMS (BETWEEN LINES)



THERMAL LIMIT CURVE

REMARKS: NEMA NOM. EFF. 95.4 PCT  
CALCULATED

AMPERES SHOWN FOR 460 VOLT CONNECTION, IF OTHER VOLTAGE CONNECTIONS ARE AVAILABLE, THE AMPERES WILL VARY INVERSELY WITH THE RATED VOLTAGE.



DR. BY	E.J.CHRISTIAN
CK. BY	E.J.CHRISTIAN
APP. BY	T.G.KELATI
DATE	08/12/15

**A-C MOTOR  
PERFORMANCE CURVES** **A44WG2772-R004**  
ISSUE DATE 08/12/15 Page 6 of 10

REL. S.O.	FRAME	HP	TYPE	PHASE/ HERTZ	RPM	VOLTS
	447TS	350	P	3/60	3560	460
AMPS	DUTY	AMB °C/ INSUL.	S.F.	NEMA DESIGN	CODE LETTER	ENCL.
381	CONT	40/B	1.15	B	F	ODP
E/S	ROTOR	TEST S.O.	TEST DATE	STATOR RES. @25 °C OHMS (BETWEEN LINES)		
433582	418143014ZE	---	---	.0127		

**PERFORMANCE**

LOAD	HP	AMPERES	RPM	% POWER FACTOR	% EFFICIENCY
NO LOAD	0	85.7	3600	5.80	0
1/4	87.6	125	3590	70.3	93.6
2/4	175	199	3580	86.1	95.6
3/4	262	287	3569	89.3	95.8
4/4	350	381	3558	90.0	95.5
5/4	438	478	3545	90.3	95.0

**SPEED TORQUE**

	RPM	TORQUE % FULL LOAD	TORQUE LB.-FT.	AMPERES
LOCKED ROTOR	0	174	900	2200
PULL UP	1800	158	818	1895
BREAKDOWN	3428	220	1136	1164
FULL LOAD	3558	100	517	381

AMPERES SHOWN FOR 460. VOLT CONNECTION. IF OTHER VOLTAGE CONNECTIONS ARE AVAILABLE, THE AMPERES WILL VARY INVERSELY WITH THE RATED VOLTAGE

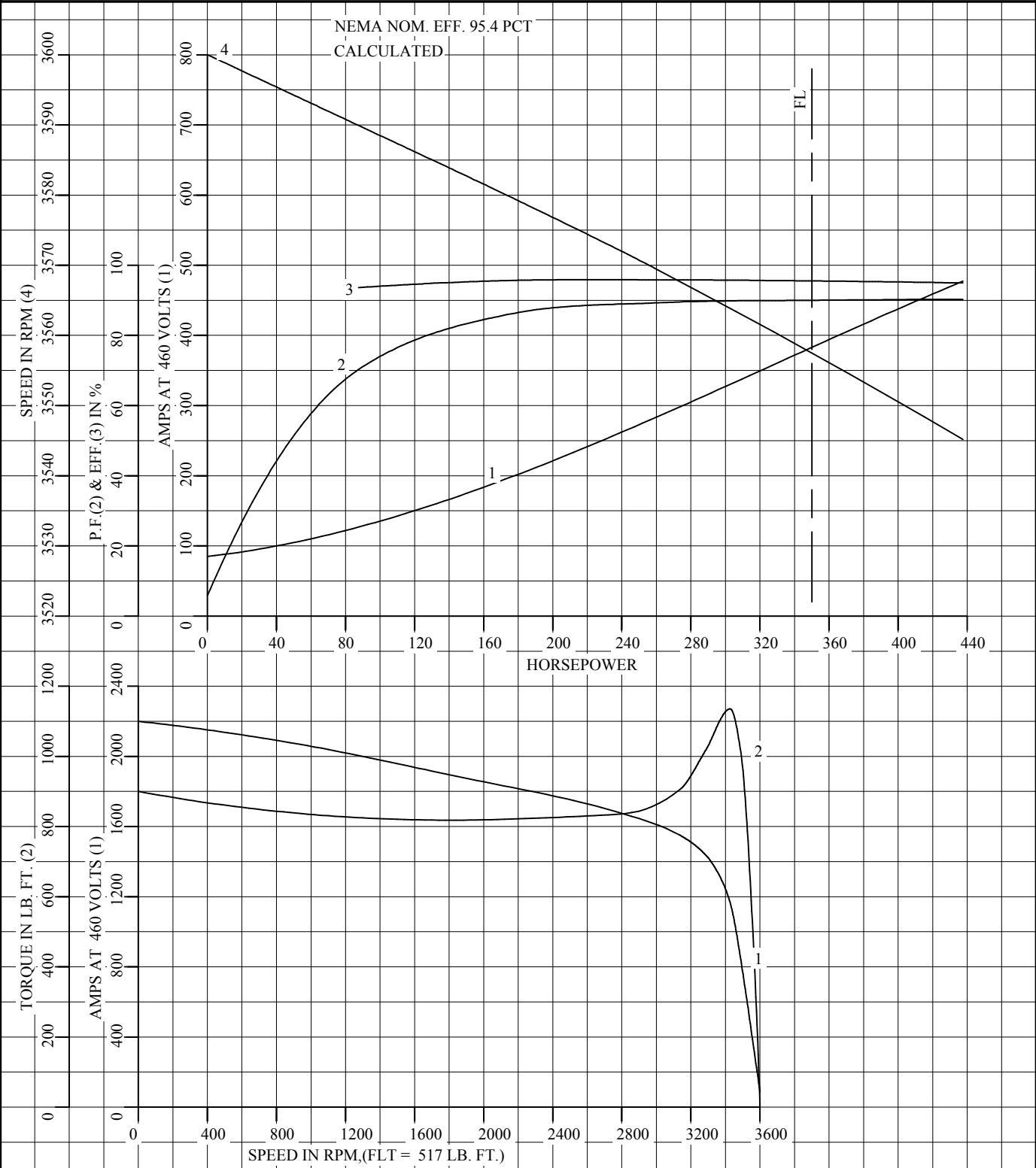
REMARKS: TYPICAL DATA  
NEMA NOM. EFF. 95.4 PCT  
CALCULATED



DR. BY E. J. CHRISTIAN  
CK. BY E. J. CHRISTIAN  
APP. BY T. G. KELATI  
DATE 08/12/15

**A-C MOTOR  
PERFORMANCE DATA** A44WG2772-R004  
ISSUE DATE 08/12/15

REL S.O.	RPM <b>3560</b>	S.F. <b>1.15</b>	ROTOR <b>418143014ZE</b>
FRAME <b>447TS</b>	VOLTS <b>460</b>	NEMA DESIGN <b>B</b>	TEST S.O. <b>TYPICAL DATA</b>
HP <b>350</b>	AMPS <b>381</b>	CODE LETTER <b>F</b>	TEST DATE ---
TYPE <b>P</b>	DUTY <b>CONT</b>	ENCLOSURE <b>ODP</b>	STATOR RES. @ 25 °C <b>.0127</b>
PHASE/HERTZ <b>3/60</b>	AMB °C/INSUL <b>40/B</b>	E/S <b>433582</b>	OHMS (BETWEEN LINES)



AMPERES SHOWN FOR 460 VOLT CONNECTION, IF OTHER VOLTAGE CONNECTIONS ARE AVAILABLE, THE AMPERES WILL VARY INVERSELY WITH THE RATED VOLTAGE.



DR. BY EJCHRISTIAN  
 CK. BY EJCHRISTIAN  
 APP. BY T.G.KELATI  
 DATE 08/12/15

**A-C MOTOR  
PERFORMANCE  
CURVES** **A44WG2772-R004**  
 ISSUE DATE 08/12/15

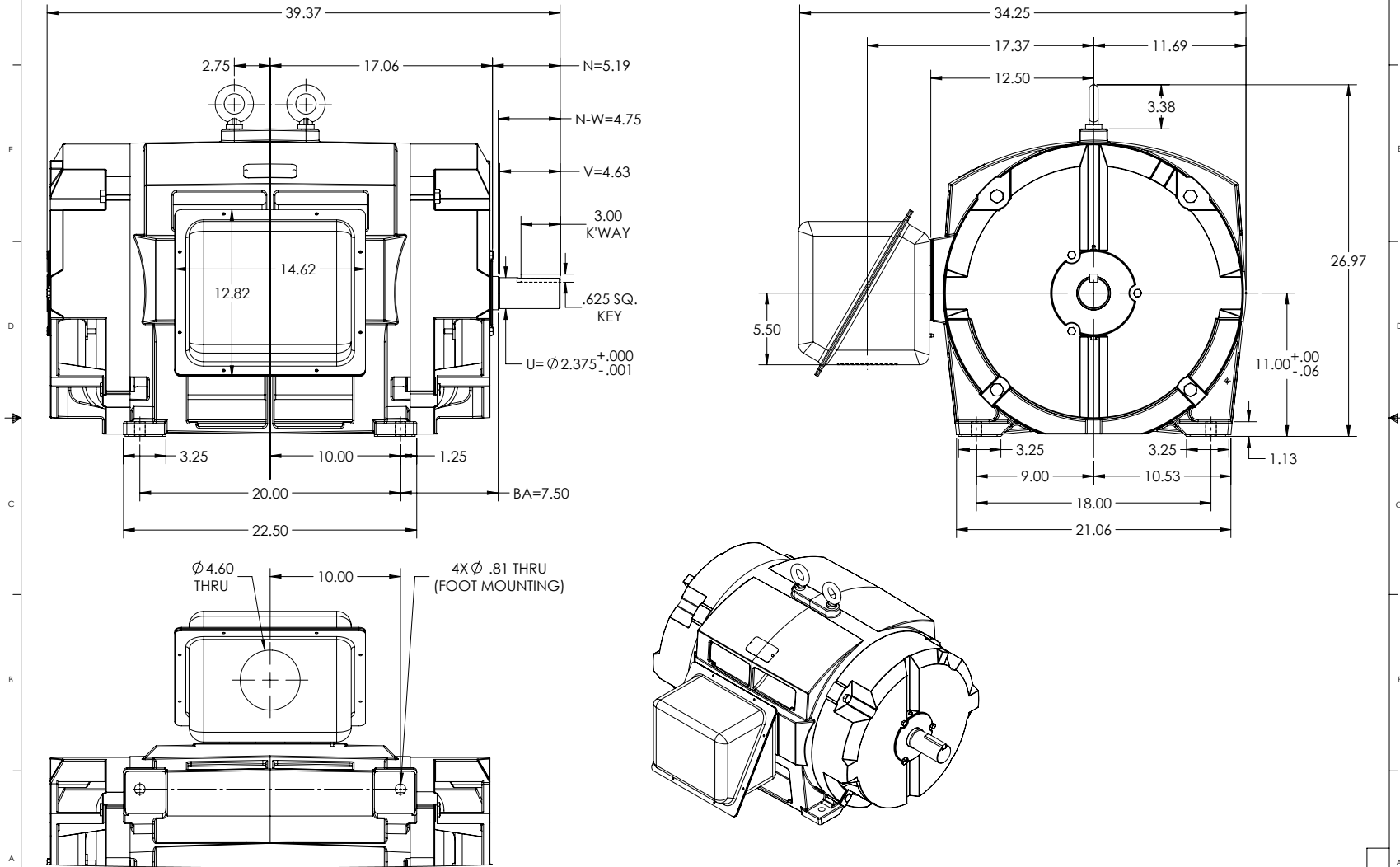
**DUTY MASTER ALTERNATING CURRENT MOTORS**  
SQUIRREL-CAGE INDUCTION

ENCLOSURE: TOTALLY ENCLOSED

MOUNTING: FOOT, F-1

E447TS FRAME DESIGN

COOLING: OPEN DRIP-PROOF



SHEET NUMBER  
**1 OF 1**

ESP-686F09

IF MOUNTING CLEARANCE DETAILS ARE REQUIRED, CONSULT FACTORY.  
MAX PERMISSIBLE SHAFT RUNOUT WHEN MEASURED AT END OF STANDARD SHAFT EXTENSION IS .003" T.I.R.

DIMENSIONS ARE IN INCHES.  
CUSTOMER IS RESPONSIBLE FOR DETERMINING THAT MOTOR PERFORMANCE IS SUITABLE IN THE APPLICATION.

REV. DESC: UPDATE DS QUALITY			
REV: C	VERSION: 03	REVISED: 01-01-24 09:15:2025	TDR: 000001262936
MODEL NO. 604989-483			
BY: USJEDIL			

**BALDOR**

E447TS ODP FOOT F1 STEEL CONDUIT BOX

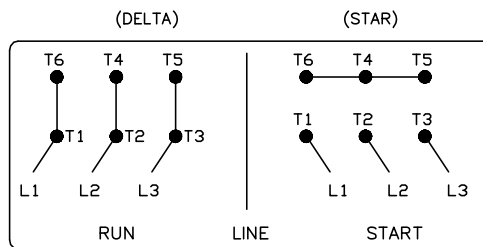
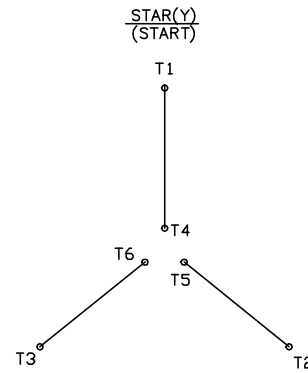
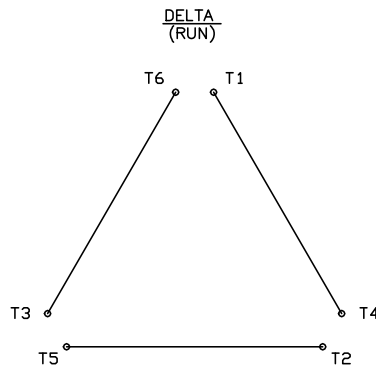
604989-483

416820-008

# A-C MOTOR CONNECTION DIAGRAM

STANDARD 6 LEAD

Y START - DELTA RUN



< N. P. 1767-DC >

REV. DESC: ADDED T4 TO Y CONNECT DIAGRAM		
REV. LTR: D	VERSION: 04	TDR: 00000847713
FILE: \RAG\00001\808	REVISED: 10: 41: 26 04/08/2014	BY: RAGJSS1
MTL: -	© □	

**BALDOR**

CONNECT DIAGRAM STD 6 LEAD Y START DELTA RUN

SH 1 of 1

416820-008