

39LYK057

D

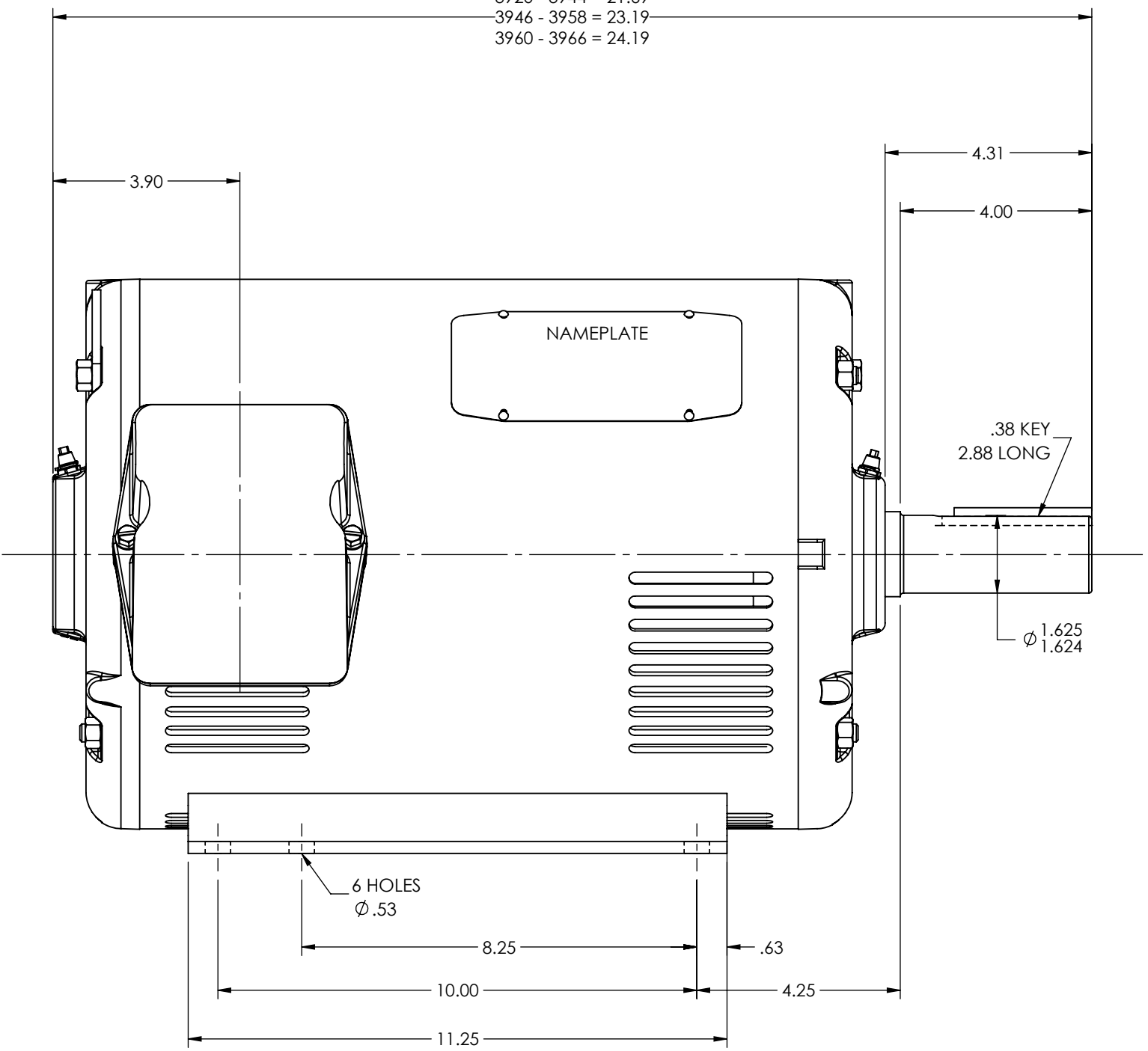
C

B

A

8 7 6 5 4 3 2 1

3920 - 3944 = 21.69
3946 - 3958 = 23.19
3960 - 3966 = 24.19

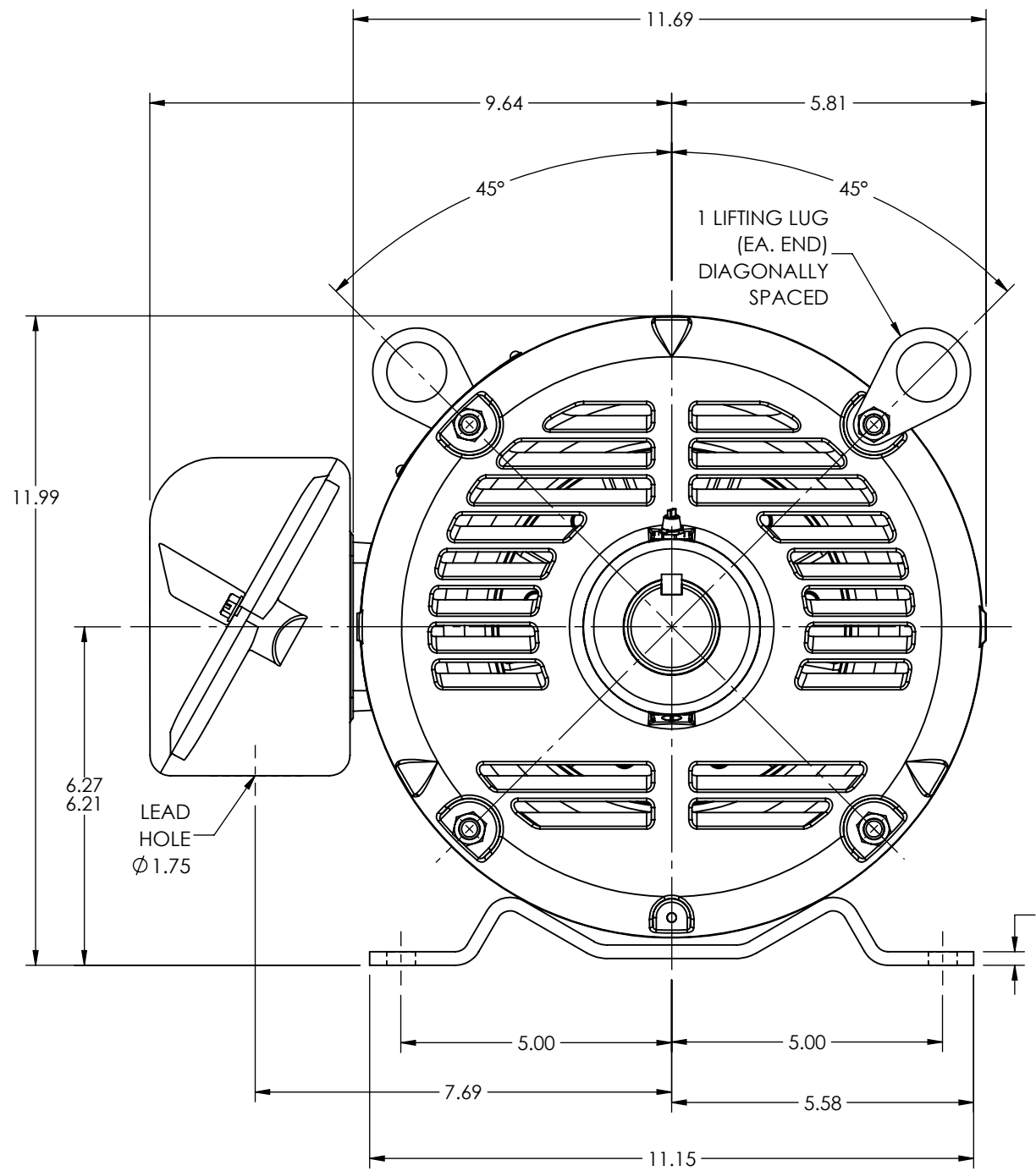


D

C

B

A



CUSTOMER IS RESPONSIBLE FOR DETERMINING THAT THE PRODUCT WILL PERFORM SUITABLY IN THE INTENDED APPLICATION

REV. DESC: CORRECT OVERALL LENGTHS			
REV: M	VERSION: 10	REVISED: 04:32:33 04/30/2026	TDR: 000001276691
MODEL NO. 39LYK057			REF: -
BY: ENBILT0			B

BALDOR - RELIANCE®

HORZ OPSB 254-6T SUPER-E

39LYK057

8 7 6 5 4 3 2 1