

BALDOR • RELIANCE

Customer information packet

EM2394T-8

15HP, 3525RPM, 3PH, 60HZ, 254T, 0930M, TEFC, F1

Class - None

Division - Not Applicable

Copyright © All product information within this document is subject to ABB Motors and Mechanical Inc. copyright © protection, unless otherwise noted.

9/9/2024 6:45:22 AM

Specifications

Enclosure	TEFC
Frame	254T
Frame Material	Iron
Frequency	60.00 Hz
Haz Area Class and Group	None
Haz Area Division	Not Applicable
Motor Letter Type	Three Phase
Output @ Frequency	15.000 HP @ 60 HZ
Phase	3
Synchronous Speed @ Frequency	3600 RPM @ 60 HZ
Voltage @ Frequency	200.0 V @ 60 HZ
Agency Approvals	CURUSEEV NEMA PREMIUM NEMA_PREMIUM UR CSA EEV
Ambient Temperature	40 °C
Auxillary Box	No Auxillary Box
Auxillary Box Lead Termination	None
Base Indicator	Rigid
Bearing Grease Type	Polyrex EM (-20F +300F)
Blower	None
Current @ Voltage	40.000 A @ 200.0 V
Design Code	B
Drip Cover	No Drip Cover
Duty Rating	CONT
Efficiency @ 100% Load	91.0 %
Electrically Isolated Bearing	Not Electrically Isolated
Feedback Device	NO FEEDBACK
Front Face Code	Standard
Front Shaft Indicator	None
Heater Indicator	No Heater

Part detail

Revision	AK
Type	AC
Mech. spec.	09P11
Base	
Status	PRD/A
Elec. spec.	09WGZ580
Layout	09LYP011
Eff. date	04-16-2024
CD Diagram	CD0006
Poles	02
Leads	3#8
Proprietary	False
Created date	04-22-2010

High Voltage Full Load Amps	40.0 a
Insulation Class	F
Inverter Code	Inverter Ready
KVA Code	G
Lifting Lugs	Standard Lifting Lugs
Locked Bearing Indicator	Locked Bearing
Motor Lead Exit	Ko Box
Motor Lead Quantity/Wire Size	3 @ 8 AWG
Motor Lead Termination	Flying Leads
Motor Standards	NEMA
Motor Type	0930M
Mounting Arrangement	F1
Number of Poles	2
Overall Length	23.36 IN
Power Factor	88
Product Family	General Purpose
Pulley End Bearing Type	Ball
Pulley Face Code	Standard
Pulley Shaft Indicator	Standard
Rodent Screen	None
Service Factor	1.15
Shaft Diameter	1.625 IN
Shaft Extension Location	Pulley End
Shaft Ground Indicator	No Shaft Grounding
Shaft Rotation	Reversible
Shaft Slinger Indicator	Shaft Slinger
Speed	3525 rpm
Speed Code	Single Speed
Starting Method	Direct on line
Thermal Device - Bearing	None
Thermal Device - Winding	None
Vibration Sensor Indicator	No Vibration Sensor
Winding Thermal 1	None
Winding Thermal 2	None

Nameplate

NP3441L									
CAT.NO.	EM2394T-8								
SPEC.	09P011Z580								
HP	15								
VOLTS	200								
AMP	40								
RPM	3525								
FRAME	254T		HZ	60		PH	3		
SER.F.	1.15	CODE	G	DES	B	CL	F		
NEMA-NOM-EFF	91	PF	88						
RATING	40C AMB-CONT								
CC	010A								
DE	6309		ODE	6208					
ENCL	TEFC	SN							
VPWM INVERTER READY									
CT6-60H(10:1)VT3-60H(20:1)									

Accessories

Part number	Description	Multiplier
09-1309	C FACE KIT	A8

AC Induction Motor Performance Data

Record # 30931

Typical performance - not guaranteed values

Winding: 09WGX580-R001		Type: 0930M	Enclosure: TEFC	
Nameplate Data			200 V, 60 Hz: Single Voltage Motor	
Rated Output (HP)	15	Full Load Torque	22.2 LB-FT	
Volts	200	Start Configuration	direct on line	
Full Load Amps	40	Breakdown Torque	90.9 LB-FT	
R.P.M.	3525	Pull-up Torque	29.3 LB-FT	
Hz	60 Phase	3	Locked-rotor Torque	36.4 LB-FT
NEMA Design Code	B KVA Code	G	Starting Current	262 A
Service Factor (S.F.)	1.15	No-load Current	12.9 A	
NEMA Nom. Eff.	91 Power Factor	88	Line-line Res. @ 25°C	0.131 Ω
Rating - Duty	40C AMB-CONT		Temp. Rise @ Rated Load	60°C
S.F. Amps			Temp. Rise @ S.F. Load	75°C
			Locked-rotor Power Factor	30
			Rotor inertia	0.766 LB-FT ²

Load Characteristics 200 V, 60 Hz, 15 HP

% of Rated Load	25	50	75	100	125	150	S.F.
Power Factor	59	79	86	89	89	89	89
Efficiency	86.4	90.6	91.4	91.2	90.7	89.8	90.9
Speed	3581	3563	3543	3524	3501	3476	3510
Line amperes	16.1	22.7	30.8	39.7	49.3	59.8	45.5

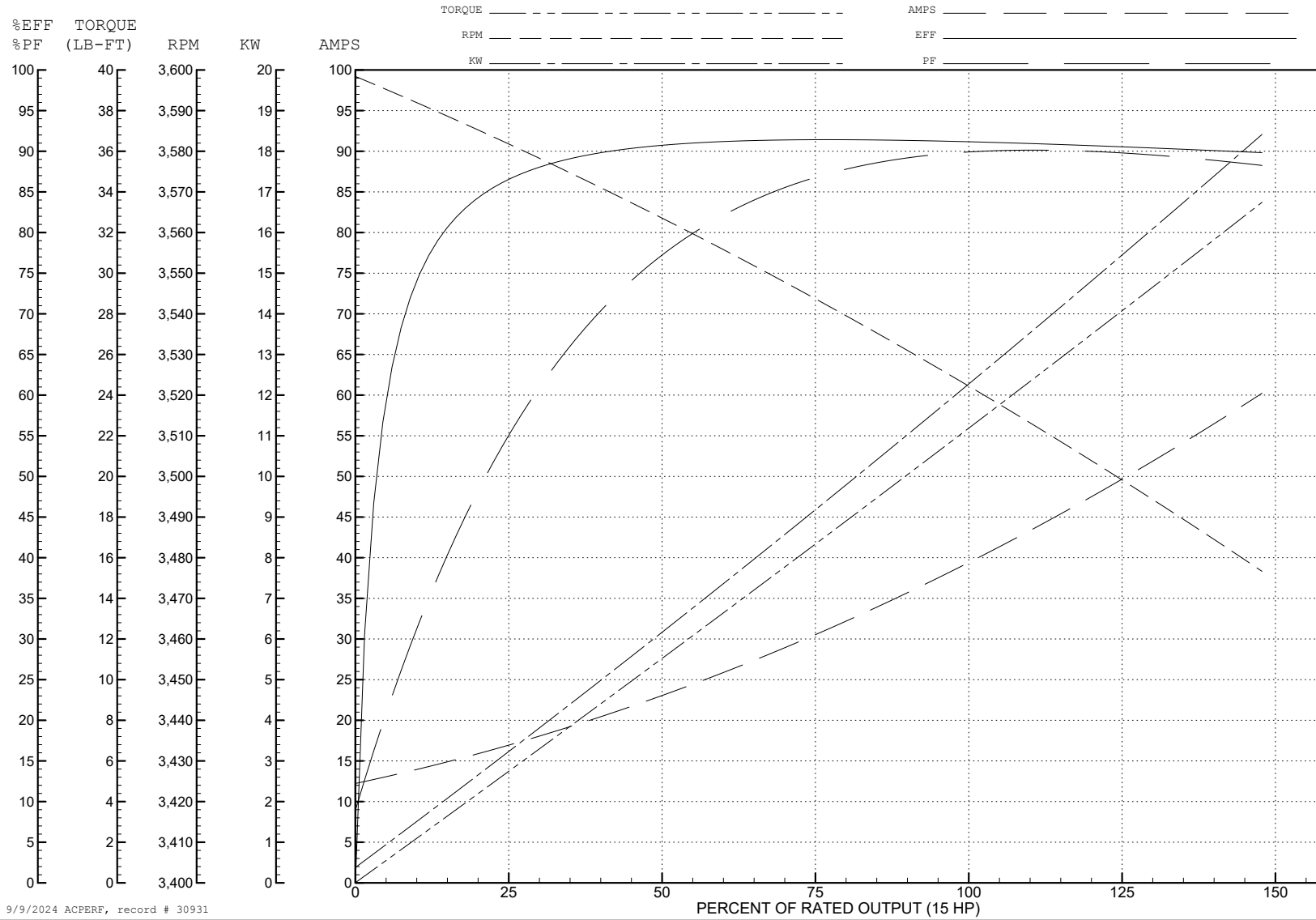
ABB Motors and Mechanical Inc.

WINDING # 09WGZ580

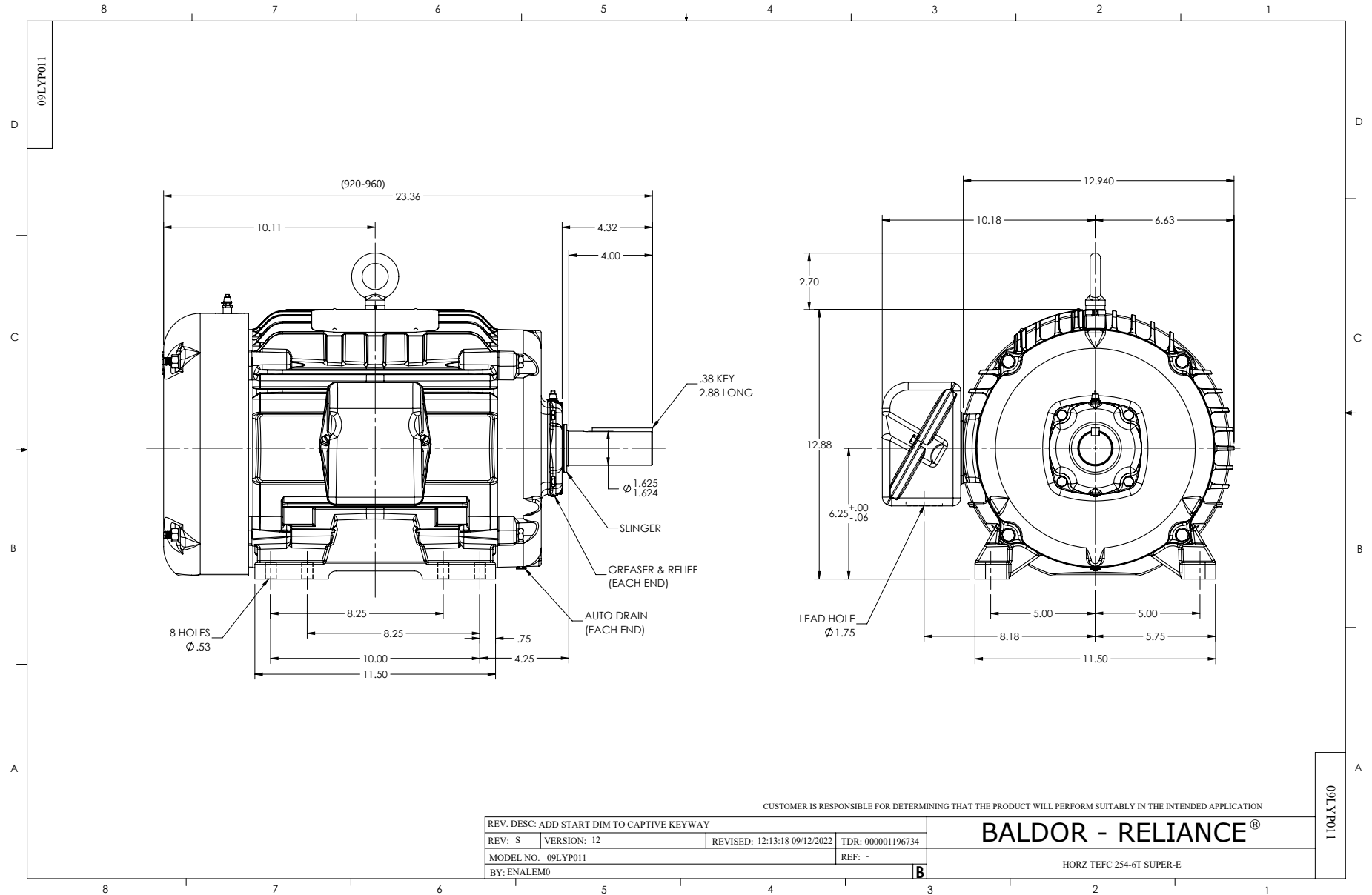
Typical performance - not guaranteed values.

15 HP 3 PH 60 HZ 3525 RPM 200 V 0930M

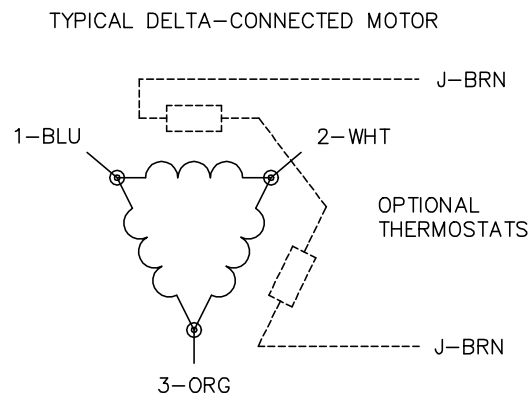
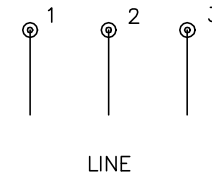
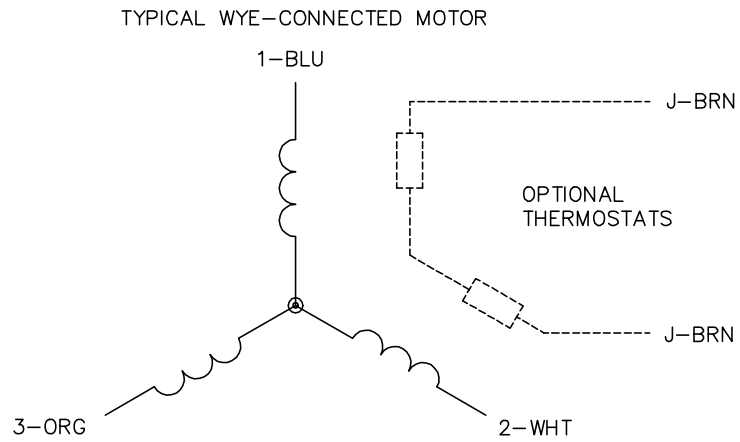
TORQUES (LB-FT): PO=90.9 PU=29.3 LR=36.4 LRA=262



9/9/2024 ACPERF, record # 30931



CD0006



NOTES:

1. THREE LEAD MOTOR MAY BE EITHER WYE CONNECTED OR DELTA CONNECTED.
2. INTERCHANGE ANY TWO LINE LEADS TO REVERSE ROTATION.
3. OPTIONAL THERMOSTATS ARE PROVIDED WHEN SPECIFIED.
4. ACTUAL NUMBER OF INTERNAL PARALLEL CIRCUITS MAY VARY.
5. LEAD COLORS ARE OPTIONAL. LEADS MUST BE NUMBERED AS SHOWN.

CD0006

REV. DESC: ADD CLASS CONN00000007		
REV. LTR: E	VERSION: 01	TDR: 000001099922
FILE: \AAA\00005\141	REVISED: 10:24:49 02/19/2019	BY: ENBRIRO
MTL: -		© □

BALDOR - RELIANCE®

3PH, SV, 3 LEADS, WYE OR DELTA CONNECTED

SH 1 of 1