



---

# Customer information packet

## EM2333T-8

15HP, 1765RPM, 3PH, 60HZ, 254T, 0944M, TEFC, F1

Class - None

Division - Not Applicable

## Specifications

Enclosure	TEFC
Frame	254T
Frame Material	Iron
Frequency	60.00 Hz
Haz Area Class and Group	None
Haz Area Division	Not Applicable
Motor Letter Type	Three Phase
Output @ Frequency	15.000 HP @ 60 HZ
Phase	3
Synchronous Speed @ Frequency	1800 RPM @ 60 HZ
Voltage @ Frequency	200.0 V @ 60 HZ
Agency Approvals	CURUSEEV NEMA PREMIUM
Ambient Temperature	40 °C
Auxillary Box	No Auxillary Box
Auxillary Box Lead Termination	None
Base Indicator	Rigid
Bearing Grease Type	Polyrex EM (-20F +300F)
Blower	None
Current @ Voltage	42.000 A @ 200.0 V 41.000 A @ 208.0 V
Design Code	A
Drip Cover	No Drip Cover
Duty Rating	CONT
Efficiency @ 100% Load	92.4 %
Electrically Isolated Bearing	Not Electrically Isolated
Feedback Device	NO FEEDBACK
Front Face Code	Standard
Front Shaft Indicator	None
Heater Indicator	No Heater
High Voltage Full Load Amps	42.0 a
Insulation Class	F

## Part detail

Revision	AC
Type	AC
Mech. spec.	09P11
Base	
Status	PRD/A
Elec. spec.	09WGT040
Layout	09LYP011
Eff. date	11-14-2023
CD Diagram	CD0006
Poles	04
Leads	3#8
Proprietary	False
Created date	04-22-2016

Inverter Code	Inverter Ready
KVA Code	H
Lifting Lugs	Standard Lifting Lugs
Locked Bearing Indicator	Locked Bearing
Motor Lead Exit	Ko Box
Motor Lead Quantity/Wire Size	3 @ 8 AWG
Motor Lead Termination	Flying Leads
Motor Standards	NEMA
Motor Type	0944M
Mounting Arrangement	F1
Number of Poles	4
Overall Length	23.36 IN
Power Factor	83
Product Family	General Purpose
Pulley End Bearing Type	Ball
Pulley Face Code	Standard
Pulley Shaft Indicator	Standard
Rodent Screen	None
Service Factor	1.15
Shaft Diameter	1.625 IN
Shaft Extension Location	Pulley End
Shaft Ground Indicator	No Shaft Grounding
Shaft Rotation	Reversible
Shaft Slinger Indicator	Shaft Slinger
Speed	1765 rpm
Speed Code	Single Speed
Starting Method	Direct on line
Thermal Device - Bearing	None
Thermal Device - Winding	None
Vibration Sensor Indicator	No Vibration Sensor
Winding Thermal 1	None
Winding Thermal 2	None

**Nameplate**

<b>NP1259L</b>									
<b>CAT.NO.</b>	EM2333T-8								
<b>SPEC.</b>	09P011T040								
<b>HP</b>	15								
<b>VOLTS</b>	200								
<b>AMP</b>	42								
<b>RPM</b>	1765								
<b>FRAME</b>	254T		<b>HZ</b>	60		<b>PH</b>	3		
<b>SER.F.</b>	1.15	<b>CODE</b>	H	<b>DES</b>	A	<b>CL</b>	F		
<b>NEMA-NOM-EFF</b>	92.4	<b>PF</b>	83						
<b>RATING</b>	40C AMB-CONT								
<b>CC</b>	010A								
<b>DE</b>	6309		<b>ODE</b>	6208					
<b>ENCL</b>	TEFC	<b>SN</b>							

**Accessories**

<b>Part number</b>	<b>Description</b>	<b>Multiplier</b>
09-1309	C FACE KIT	A8

**AC Induction Motor Performance Data**

Record # 44482

Typical performance - not guaranteed values

<b>Winding:</b> 09WGT040-R001		<b>Type:</b> 0944M		<b>Enclosure:</b> TEFC	
<b>Nameplate Data</b>			<b>200 V, 60 Hz: Single Voltage Motor</b>		
<b>Rated Output (HP)</b>	15	<b>Full Load Torque</b>	44.5 LB-FT		
<b>Volts</b>	200	<b>Start Configuration</b>	direct on line		
<b>Full Load Amps</b>	42	<b>Breakdown Torque</b>	151 LB-FT		
<b>R.P.M.</b>	1765	<b>Pull-up Torque</b>	68.4 LB-FT		
<b>Hz</b>	60	<b>Locked-rotor Torque</b>	85.2 LB-FT		
<b>NEMA Design Code</b>	A	<b>Starting Current</b>	288 A		
<b>Service Factor (S.F.)</b>	1.15	<b>No-load Current</b>	17.1 A		
<b>NEMA Nom. Eff.</b>	92.4	<b>Line-line Res. @ 25°C</b>	0.109 Ω		
<b>Rating - Duty</b>	40C	<b>Temp. Rise @ Rated Load</b>	55°C		
<b>S.F. Amps</b>	AMB-CONT	<b>Temp. Rise @ S.F. Load</b>	66°C		
		<b>Locked-rotor Power Factor</b>	33		
		<b>Rotor inertia</b>	1.92 LB-FT <sup>2</sup>		

**Load Characteristics 200 V, 60 Hz, 15 HP**

<b>% of Rated Load</b>	<b>25</b>	<b>50</b>	<b>75</b>	<b>100</b>	<b>125</b>	<b>150</b>	<b>S.F.</b>
<b>Power Factor</b>	46	70	79	84	85	87	85
<b>Efficiency</b>	88.2	92.3	92.6	92.4	91.4	90.3	91.8
<b>Speed</b>	1791	1783	1774	1765	1754	1742	1758
<b>Line amperes</b>	19.5	25.1	33.2	41.7	51.9	61.9	47.8

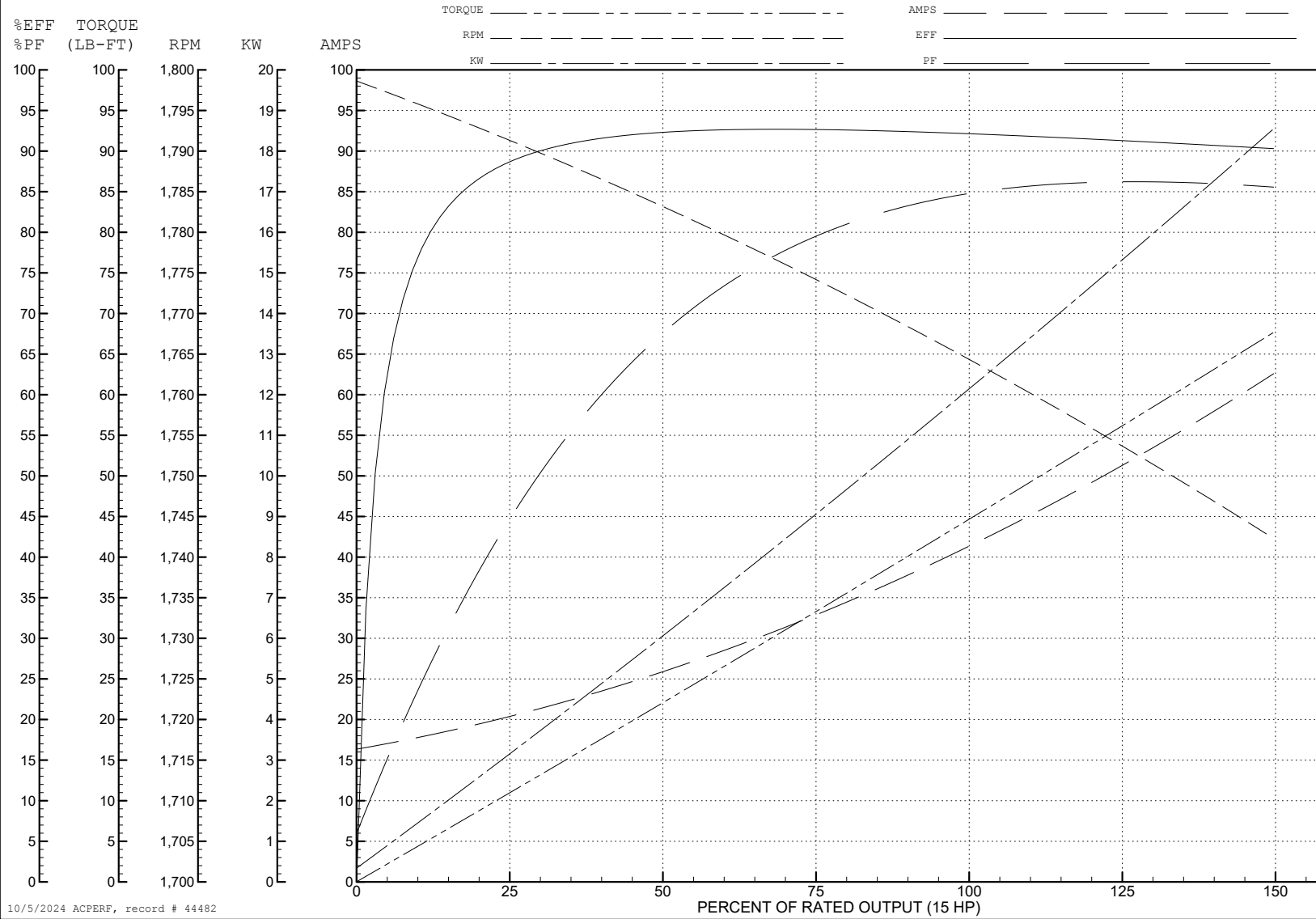
ABB Motors and Mechanical Inc.

WINDING # 09WGT040

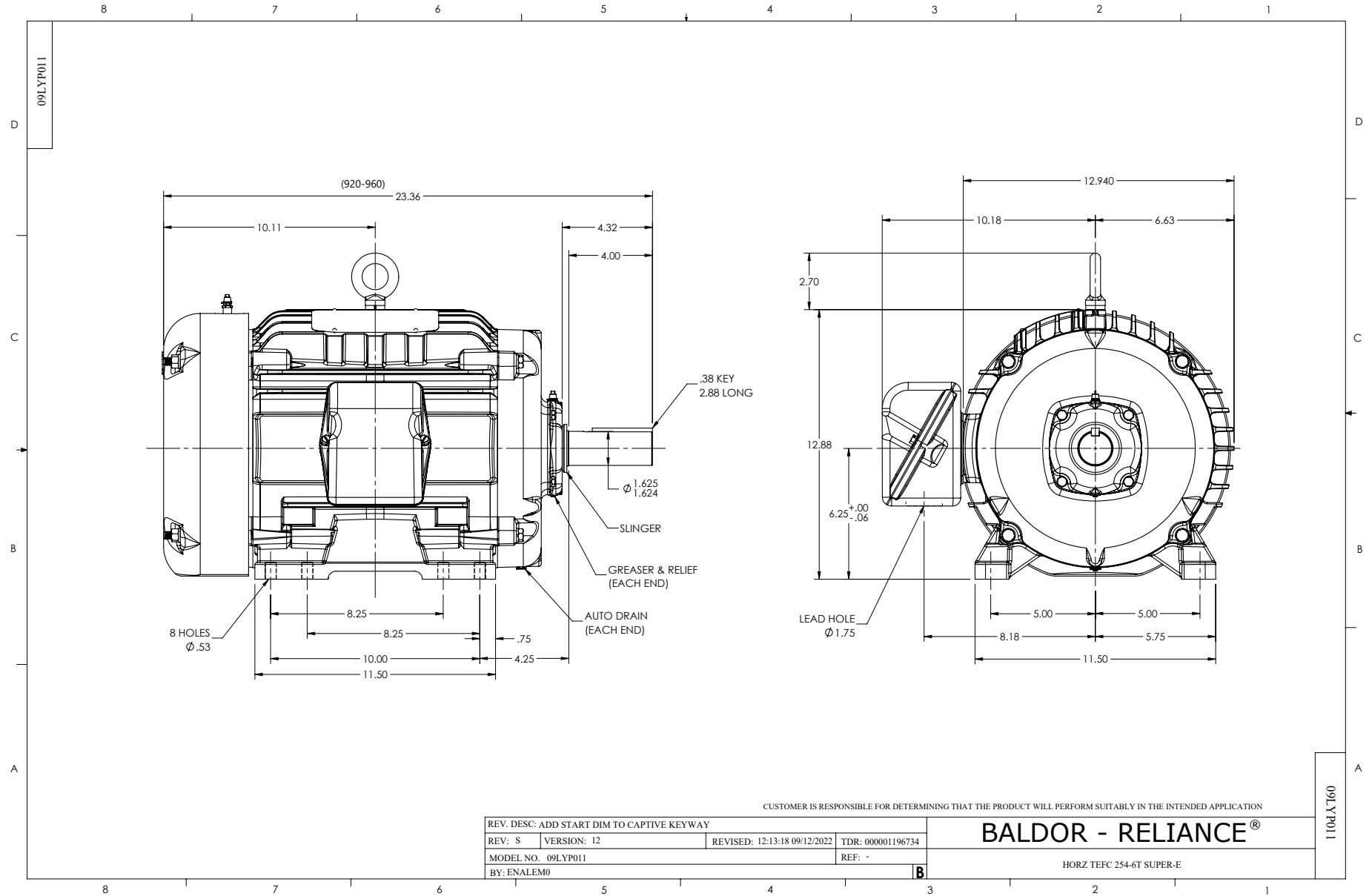
Typical performance - not guaranteed values.

15 HP 3 PH 60 HZ 1765 RPM 200 V 0944M

TORQUES (LB-FT): PO=151 PU=68.4 LR=85.2 LRA=288

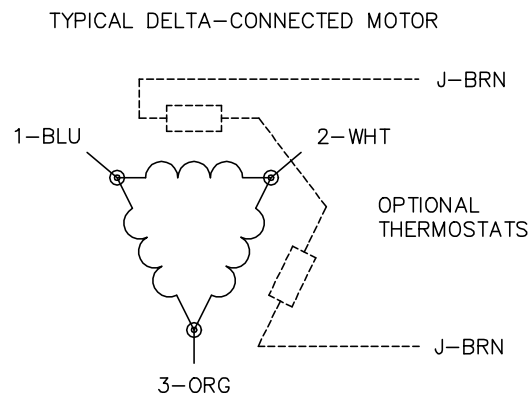
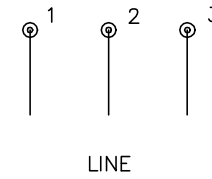
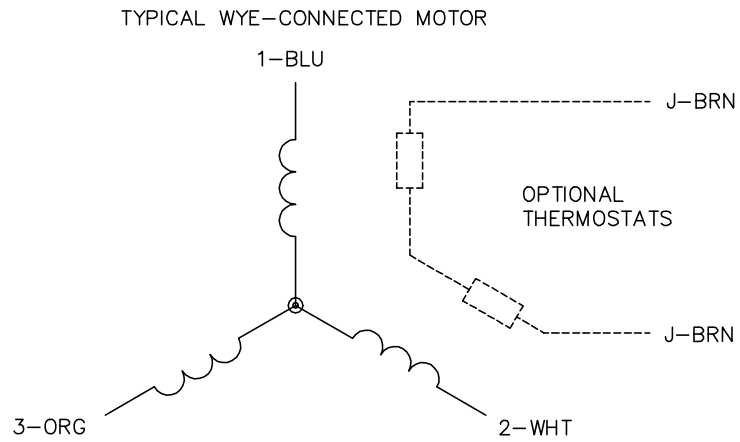


10/5/2024 ACPERF, record # 44482





CD0006



NOTES:

1. THREE LEAD MOTOR MAY BE EITHER WYE CONNECTED OR DELTA CONNECTED.
2. INTERCHANGE ANY TWO LINE LEADS TO REVERSE ROTATION.
3. OPTIONAL THERMOSTATS ARE PROVIDED WHEN SPECIFIED.
4. ACTUAL NUMBER OF INTERNAL PARALLEL CIRCUITS MAY VARY.
5. LEAD COLORS ARE OPTIONAL. LEADS MUST BE NUMBERED AS SHOWN.

CD0006

REV. DESC: ADD CLASS CONN00000007		
REV. LTR: E	VERSION: 01	TDR: 000001099922
FILE: \AAA\00005\141	REVISED: 10:24:49 02/19/2019	BY: ENBRIRO
MTL: -	© □	

**BALDOR - RELIANCE®**

3PH, SV, 3 LEADS, WYE OR DELTA CONNECTED

SH 1 of 1