



---

# Customer information packet

## EL3510

1HP, 1740RPM, 1PH, 60HZ, 56H, 3526LC, TEFC, F1

Class - None

Division - Not Applicable

## Specifications

Enclosure	TEFC
Frame	56H
Frame Material	Steel
Frequency	60.00 Hz
Haz Area Class and Group	None
Haz Area Division	Not Applicable
Motor Letter Type	Cap Start, Cap Run
Output @ Frequency	1.000 HP @ 60 HZ
Phase	1
Synchronous Speed @ Frequency	1800 RPM @ 60 HZ
Voltage @ Frequency	115.0 V @ 60 HZ 230.0 V @ 60 HZ
Agency Approvals	CSA UR
Ambient Temperature	40 °C
Auxillary Box	No Auxillary Box
Auxillary Box Lead Termination	None
Base Indicator	Rigid
Bearing Grease Type	Polyrex EM (-20F +300F)
Blower	None
Current @ Voltage	9.250 A @ 115.0 V 4.650 A @ 230.0 V
Design Code	L
Drip Cover	No Drip Cover
Duty Rating	CONT
Efficiency @ 100% Load	80.0 %
Electrically Isolated Bearing	Not Electrically Isolated
Feedback Device	NO FEEDBACK
Front Shaft Indicator	None
Heater Indicator	No Heater
High Voltage Full Load Amps	4.7 a
Insulation Class	F

## Part detail

Revision	D
Type	AC
Mech. spec.	35J385
Base	
Status	PRD/A
Elec. spec.	35WGG241
Layout	35LYJ385
Eff. date	04-30-2024
CD Diagram	CD0055
Poles	04
Leads	6#18
Proprietary	False
Created date	08-01-2022

Inverter Code	Not Inverter
KVA Code	J
Lifting Lugs	No Lifting Lugs
Locked Bearing Indicator	No Locked Bearing
Motor Lead Quantity/Wire Size	6 @ 18 AWG
Motor Lead Termination	Flying Leads
Motor Standards	NEMA
Motor Type	3526LC
Mounting Arrangement	F1
Number of Poles	4
Overall Length	12.91 IN
Power Factor	85
Product Family	General Purpose
Pulley End Bearing Type	Ball
Pulley Face Code	Standard
Pulley Shaft Indicator	Standard
Rodent Screen	None
Service Factor	1.15
Shaft Diameter	0.625 IN
Shaft Ground Indicator	No Shaft Grounding
Shaft Rotation	Reversible
Shaft Slinger Indicator	No Slinger
Speed	1740 rpm
Speed Code	Single Speed
Starting Method	Direct on line
Thermal Device - Bearing	None
Thermal Device - Winding	None
Vibration Sensor Indicator	No Vibration Sensor
Winding Thermal 1	None
Winding Thermal 2	None

**Nameplate**

<b>NP2116L</b>									
<b>CAT.NO.</b>	EL3510								
<b>SPEC.</b>	35J385G241								
<b>HP</b>	1								
<b>VOLTS</b>	115/230								
<b>AMP</b>	9.25/4.65								
<b>RPM</b>	1740								
<b>FRAME</b>	56H			<b>HZ</b>	60		<b>PH</b>	1	
<b>SER.F.</b>	1.15	<b>CODE</b>	J	<b>DES</b>	L	<b>CL</b>	F		
<b>NEMA-NOM-EFF</b>	80	<b>PF</b>	85						
<b>RATING</b>	40C AMB-CONT								
<b>CC</b>									
<b>DE</b>	6205	<b>ODE</b>	6203						
<b>ENCL</b>	TEFC	<b>SN</b>							
	SFA 9.4/4.7								

**Accessories**

<b>Part number</b>	<b>Description</b>	<b>Multiplier</b>
35-8762	C FACE KIT	A8
35EP1506A01SP	D-FLANGE KIT	A8

**AC Induction Motor Performance Data**

Record # 91189

Typical performance - not guaranteed values

Winding: 35WGG241-R003		Type: 3526LC		Enclosure: TEFC	
<b>Nameplate Data</b>				<b>115 V, 60 Hz: Low Voltage Connection</b>	
Rated Output (HP)	1	Full Load Torque	3.02 LB-FT		
Volts	115/230	Start Configuration	direct on line		
Full Load Amps	9.6/4.8	Breakdown Torque	7.77 LB-FT		
R.P.M.	1740	Pull-up Torque	6.11 LB-FT		
Hz	60 Phase	1	Locked-rotor Torque	9.4 LB-FT	
NEMA Design Code	L	KVA Code	K	Starting Current	73.8 A
Service Factor (S.F.)	1.15		No-load Current	4.82 A	
NEMA Nom. Eff.	78	Power Factor	85	Line-line Res. @ 25°C	0.699 Ω A Ph 1.52 Ω B Ph
Rating - Duty	40C AMB-CONT		Temp. Rise @ Rated Load	54°C	
S.F. Amps			Temp. Rise @ S.F. Load	65°C	
			Locked-rotor Power Factor	96	
			Rotor inertia	0.188 lb-ft <sup>2</sup>	

**Load Characteristics 115 V, 60 Hz, 1 HP**

% of Rated Load	25	50	75	100	125	150	S.F.
Power Factor	50	69	79	86	89	90	88
Efficiency	63.5	75.5	78.5	78.4	76.2	72.3	77.1
Speed	1784	1771	1755	1738	1716	1686	1725
Line amperes	5.24	6.28	7.78	9.66	11.96	14.82	11

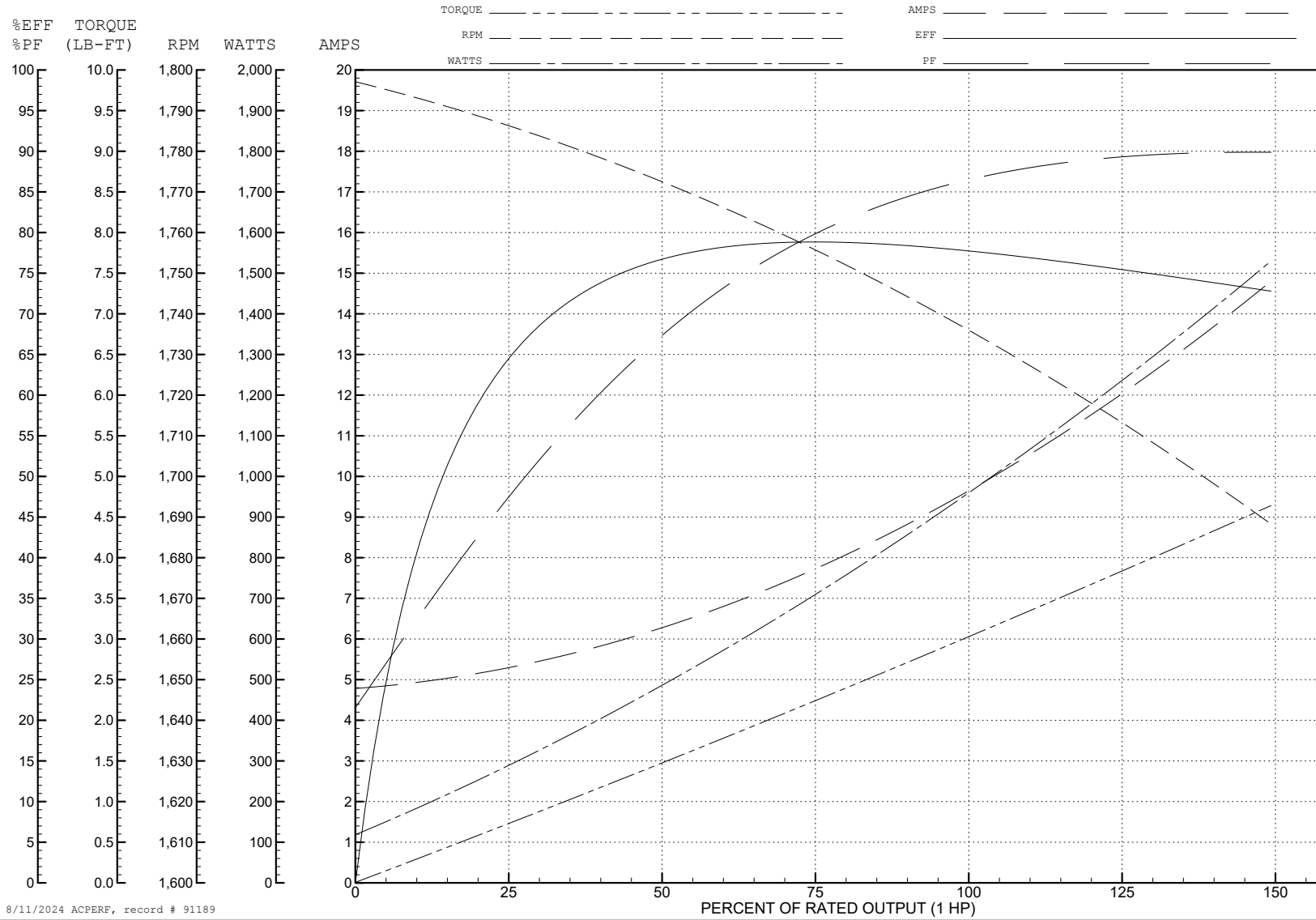
ABB Motors and Mechanical Inc.

WINDING # 35WGG241

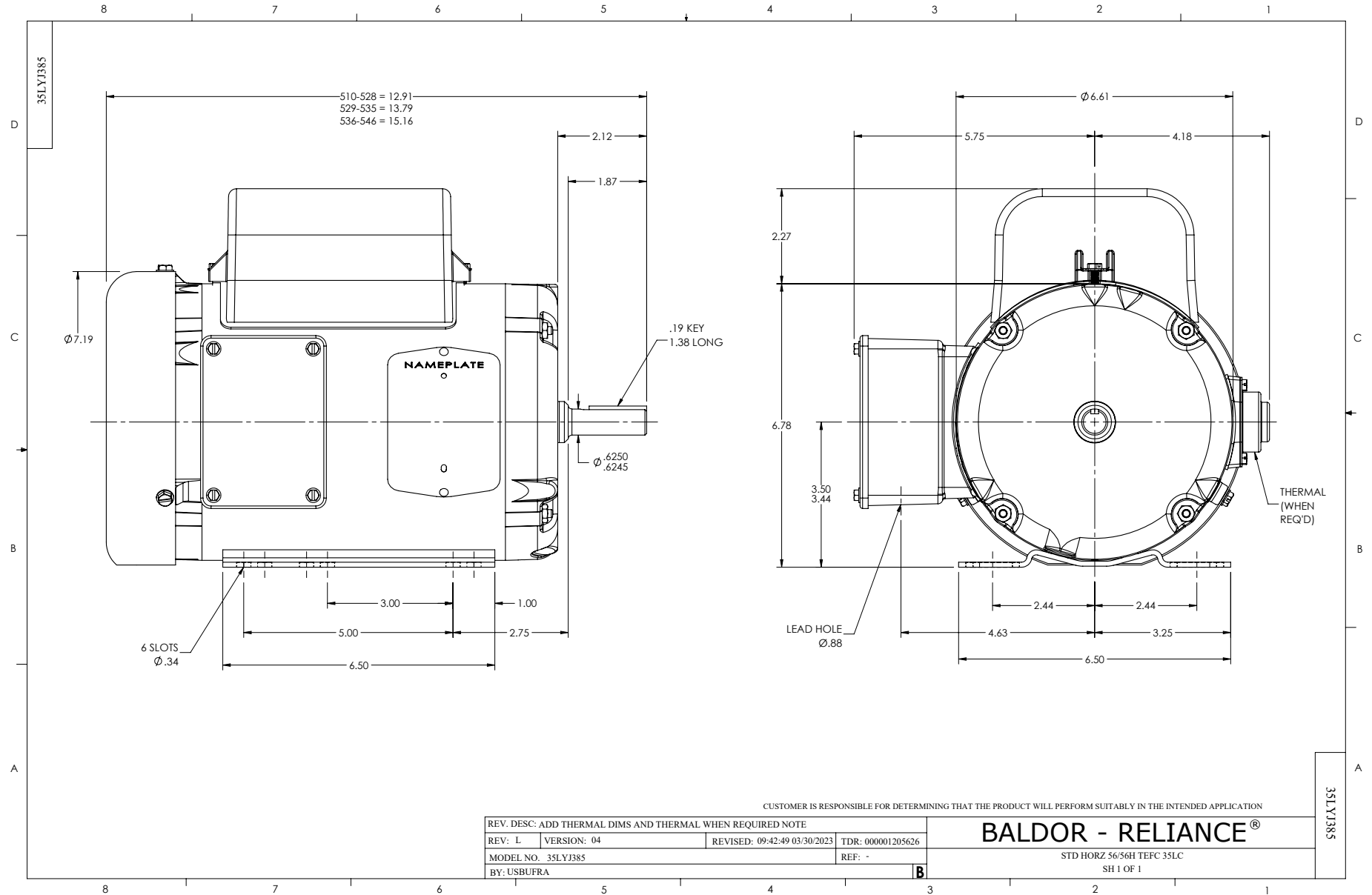
Typical performance - not guaranteed values.

1 HP 1 PH 60 HZ 1740 RPM 115 V 3526LC

TORQUES (LB-FT): PO=7.77 PU=6.11 LR=9.4 LRA=73.8

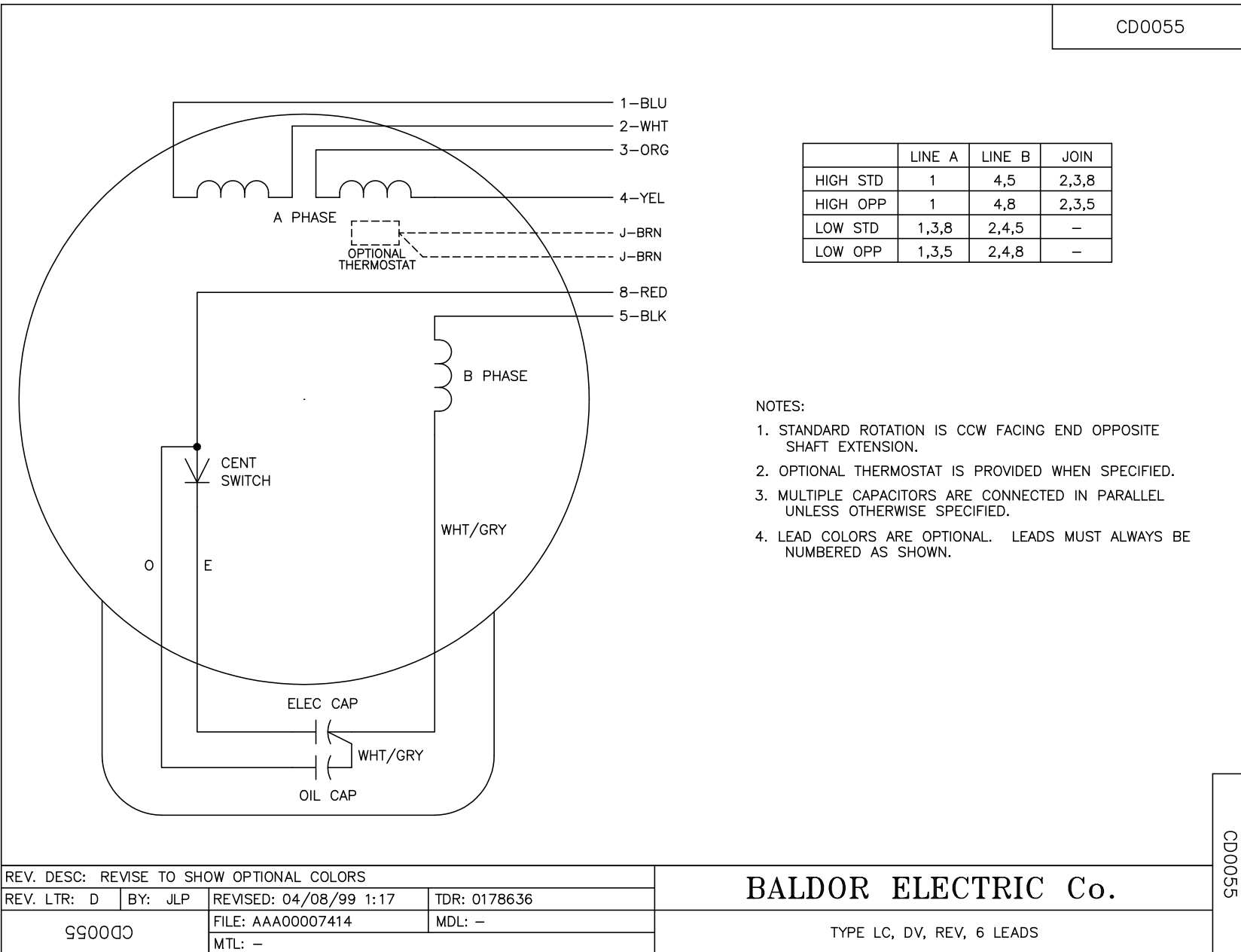


8/11/2024 ACPERF, record # 91189





CD0055



	LINE A	LINE B	JOIN
HIGH STD	1	4,5	2,3,8
HIGH OPP	1	4,8	2,3,5
LOW STD	1,3,8	2,4,5	-
LOW OPP	1,3,5	2,4,8	-

NOTES:

1. STANDARD ROTATION IS CCW FACING END OPPOSITE SHAFT EXTENSION.
2. OPTIONAL THERMOSTAT IS PROVIDED WHEN SPECIFIED.
3. MULTIPLE CAPACITORS ARE CONNECTED IN PARALLEL UNLESS OTHERWISE SPECIFIED.
4. LEAD COLORS ARE OPTIONAL. LEADS MUST ALWAYS BE NUMBERED AS SHOWN.

CD0055

REV. DESC: REVISE TO SHOW OPTIONAL COLORS			
REV. LTR: D	BY: JLP	REVISED: 04/08/99 1:17	TDR: 0178636
C00000		FILE: AAA00007414	MDL: -
		MTL: -	

**BALDOR ELECTRIC Co.**

TYPE LC, DV, REV, 6 LEADS