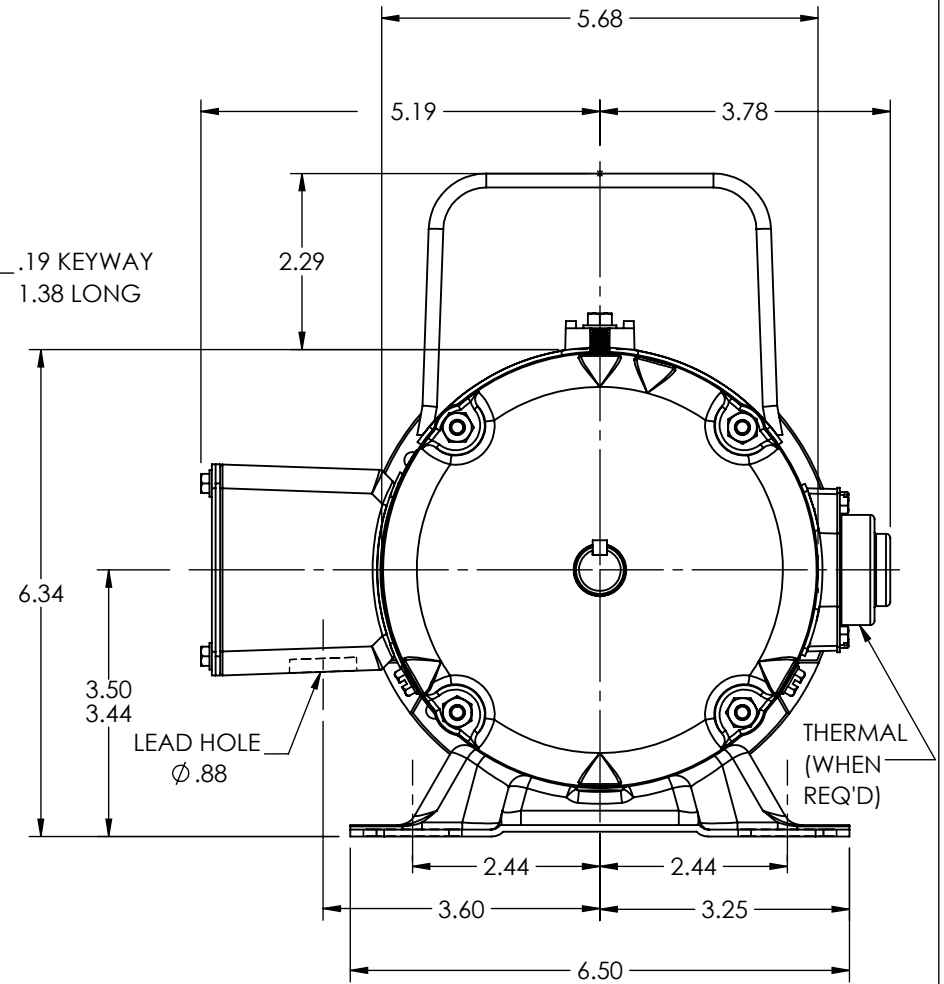
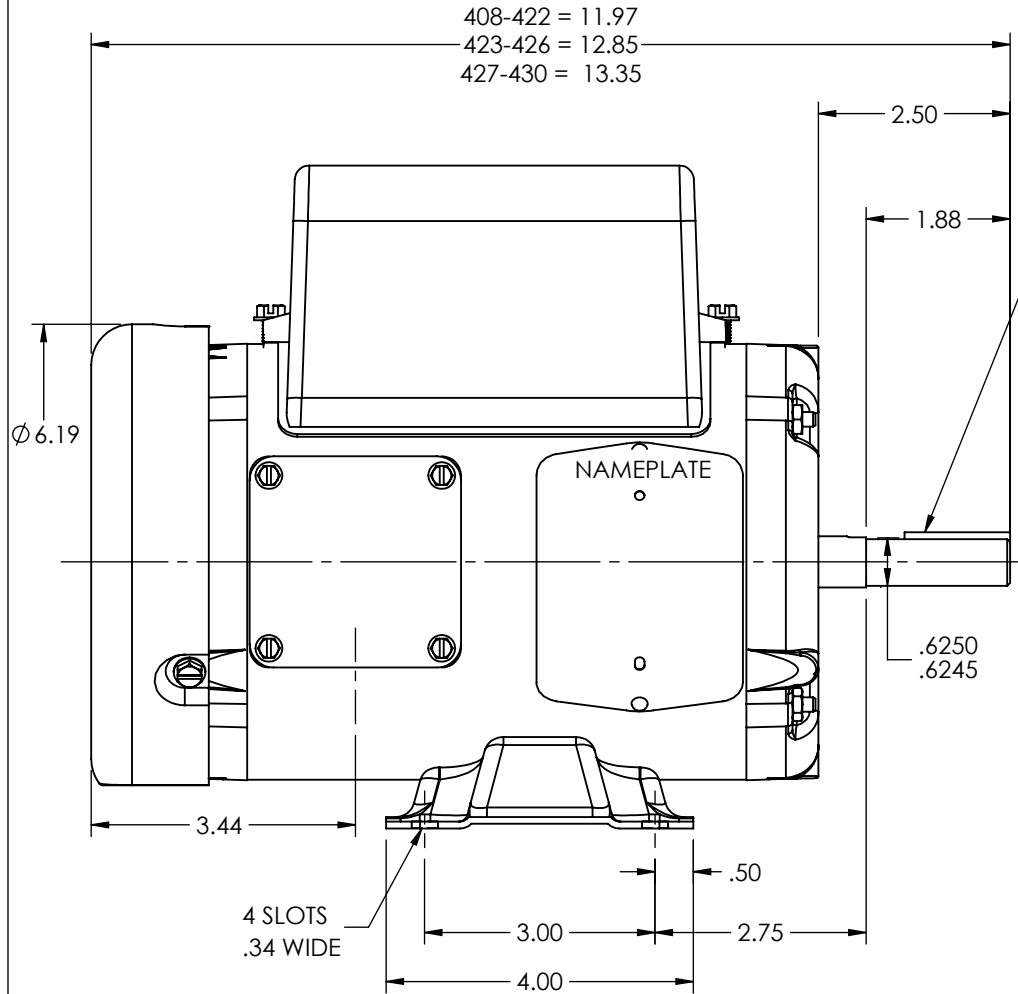


34LYL277



CUSTOMER IS RESPONSIBLE FOR DETERMINING THAT THE PRODUCT WILL PERFORM SUITABLY IN THE INTENDED APPLICATION

REV. DESC: LOAD TO SOLIDWORKS

REV: B	VERSION: 02	REVISED: 01:40:24 08/18/2022	TDR: 000001194274
--------	-------------	------------------------------	-------------------

34LYL277

MODEL NO. 34LYL277

REF: -

BY: ENFRAJ0

**BALDOR - RELIANCE®**

HOR 34LC NEMA 56 TEFC FOR 3 PH ER

34LYL277