



Customer information packet

EL3405

.33HP, 3450RPM, 1PH, 60HZ, 48, 3420LC, TEFC, F1

Class - None

Division - Not Applicable

Specifications

Enclosure	TEFC
Frame	48
Frame Material	Steel
Frequency	60.00 Hz
Haz Area Class and Group	None
Haz Area Division	Not Applicable
Motor Letter Type	Cap Start, Cap Run
Output @ Frequency	.330 HP @ 60 HZ
Phase	1
Synchronous Speed @ Frequency	3600 RPM @ 60 HZ
Voltage @ Frequency	115.0 V @ 60 HZ 208.0 V @ 60 HZ 230.0 V @ 60 HZ
Agency Approvals	CSA EEV CSA UR
Ambient Temperature	40 °C
Auxillary Box	No Auxillary Box
Auxillary Box Lead Termination	None
Base Indicator	Rigid
Bearing Grease Type	Polyrex EM (-20F +300F)
Blower	None
Current @ Voltage	1.600 A @ 230.0 V 1.700 A @ 208.0 V 3.200 A @ 115.0 V
Design Code	N
Drip Cover	No Drip Cover
Duty Rating	CONT
Efficiency @ 100% Load	72.0 %
Electrically Isolated Bearing	Not Electrically Isolated
Feedback Device	NO FEEDBACK
Front Face Code	Standard

Part detail

Revision	P
Type	AC
Mech. spec.	34G374
Base	
Status	PRD/A
Elec. spec.	34WGY788
Layout	34LYG374
Eff. date	10-29-2024
CD Diagram	CD0055
Poles	02
Leads	6#18
Proprietary	False
Created date	11-06-2008

Front Shaft Indicator	None
Heater Indicator	No Heater
High Voltage Full Load Amps	1.6 a
Insulation Class	F
Inverter Code	Not Inverter
KVA Code	L
Lifting Lugs	No Lifting Lugs
Locked Bearing Indicator	No Locked Bearing
Motor Lead Exit	Ko Box
Motor Lead Quantity/Wire Size	6 @ 18 AWG
Motor Lead Termination	Flying Leads
Motor Standards	NEMA
Motor Type	3420LC
Mounting Arrangement	F1
Number of Poles	2
Overall Length	11.35 IN
Power Factor	96
Product Family	General Purpose
Pulley End Bearing Type	Ball
Pulley Face Code	Standard
Pulley Shaft Indicator	Standard
Rodent Screen	None
RoHS Status	ROHS COMPLIANT
Service Factor	1.35
Shaft Diameter	0.500 IN
Shaft Extension Location	Pulley End
Shaft Ground Indicator	No Shaft Grounding
Shaft Rotation	Reversible
Shaft Slinger Indicator	No Slinger
Speed	3450 rpm
Speed Code	Single Speed
Starting Method	Direct on line
Thermal Device - Bearing	None
Thermal Device - Winding	None

Vibration Sensor Indicator	No Vibration Sensor
Winding Thermal 1	None
Winding Thermal 2	None

Nameplate

NP2116L									
CAT.NO.	EL3405								
SPEC.	34G374Y788G1								
HP	.33								
VOLTS	115/208-230								
AMP	3.2/1.7-1.6								
RPM	3450								
FRAME	48			HZ	60		PH	1	
SER.F.	1.35	CODE	L	DES	N	CL	F		
NEMA-NOM-EFF	72	PF	96						
RATING	40C AMB-CONT								
CC									
DE	6203	ODE	6203						
ENCL	TEFC	SN							
	SFA 4/2.2-2								

AC Induction Motor Performance Data

Record # 50675

Typical performance - not guaranteed values

Winding: 34WGY788-R004		Type: 3420LC		Enclosure: TEFC	
Nameplate Data			230 V, 60 Hz: High Voltage Connection		
Rated Output (HP)	.33		Full Load Torque	0.489 LB-FT	
Volts	115/208-230		Start Configuration	direct on line	
Full Load Amps	3.2/1.7-1.6		Breakdown Torque	2.5 LB-FT	
R.P.M.	3450		Pull-up Torque	1.4 LB-FT	
Hz	60 Phase	1	Locked-rotor Torque	1.8 LB-FT	
NEMA Design Code	N KVA Code	L	Starting Current	14.5 A	
Service Factor (S.F.)	1.35		No-load Current	0.55 A	
NEMA Nom. Eff.	72 Power Factor	96	Line-line Res. @ 25°C	4.32 Ω A Ph 6.27 Ω B Ph	
Rating - Duty	40C AMB-CONT		Temp. Rise @ Rated Load	33°C	
S.F. Amps	4/2.2-2		Temp. Rise @ S.F. Load	39°C	

Load Characteristics 230 V, 60 Hz, 0.33 HP

% of Rated Load	25	50	75	100	125	150	S.F.
Power Factor	83	88	93	94	93	91	92
Efficiency	41.1	57.6	66.3	70.3	72.5	73	72.7
Speed	3566	3544	3527	3502	3474	3439	3460
Line amperes	0.798	1.06	1.31	1.6	1.94	2.31	2.09

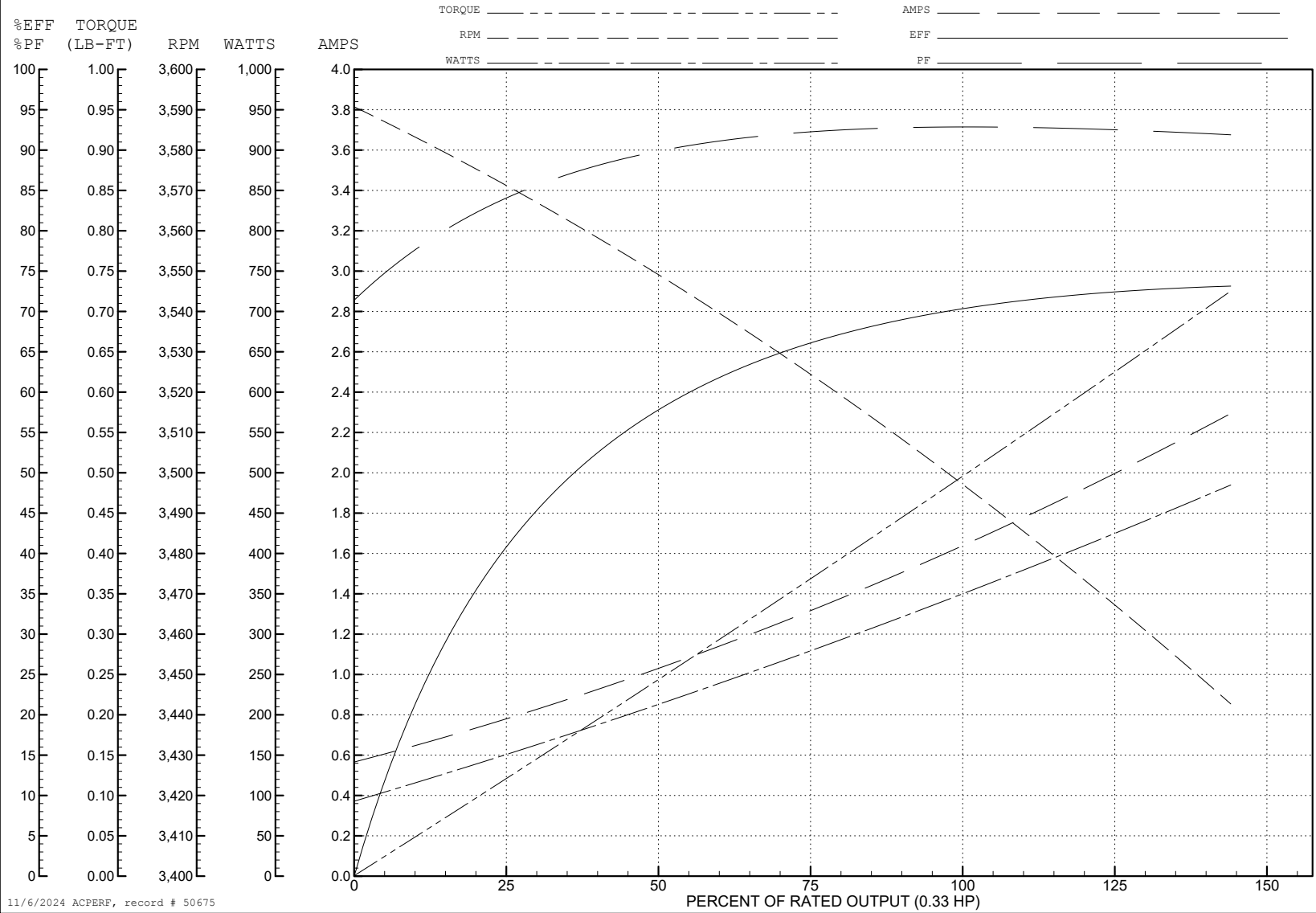
ABB Motors and Mechanical Inc.

WINDING # 34WGY788

Typical performance - not guaranteed values.

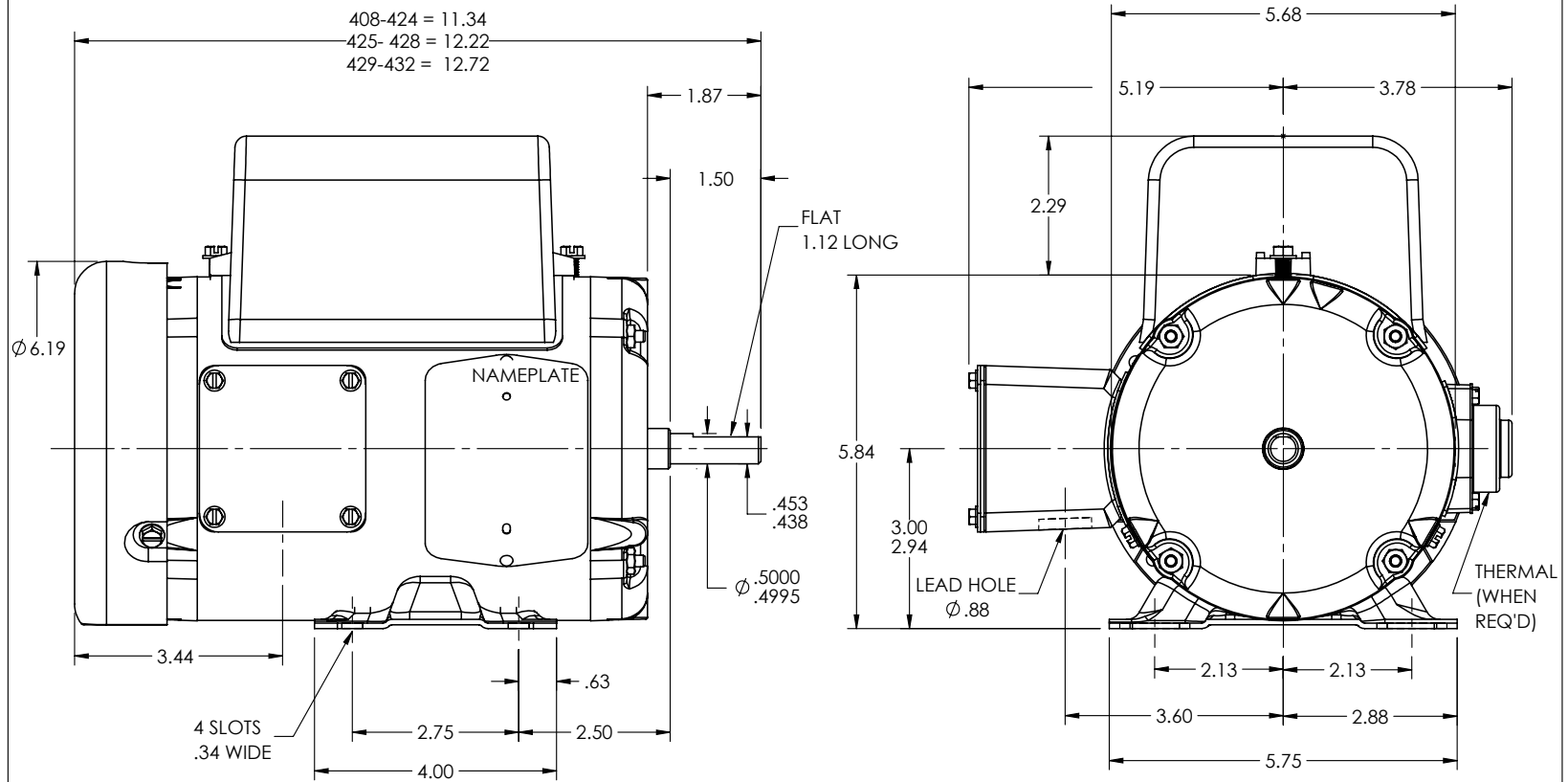
0.33 HP 1 PH 60 HZ 3450 RPM 230 V 3420LC

TORQUES (LB-FT): PO=2.5 PU=1.4 LR=1.8 LRA=14.5



11/6/2024 ACPERF, record # 50675

34LYG374



CUSTOMER IS RESPONSIBLE FOR DETERMINING THAT THE PRODUCT WILL PERFORM SUITABLY IN THE INTENDED APPLICATION

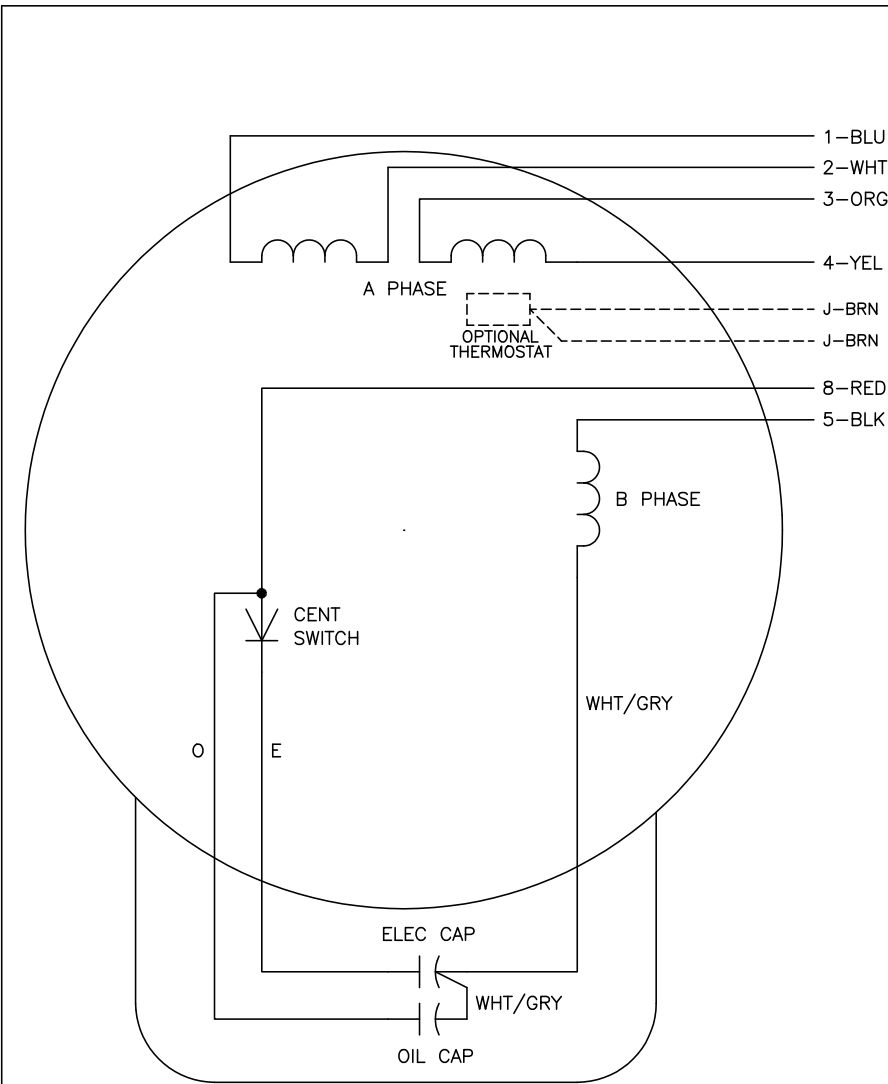
REV. DESC: LOAD TO SOLIDWORKS			
REV: D	VERSION: 03	REVISED: 03:51:27 08/09/2022	TDR: 000001194274
34LYG374	MODEL NO. 34LYG374	REF: -	
	BY: ENFRAJ0		

BALDOR - RELIANCE®

HOR 34LC NEMA 48 TEFC

34LYG374

CD0055



	LINE A	LINE B	JOIN
HIGH STD	1	4,5	2,3,8
HIGH OPP	1	4,8	2,3,5
LOW STD	1,3,8	2,4,5	-
LOW OPP	1,3,5	2,4,8	-

NOTES:

1. STANDARD ROTATION IS CCW FACING END OPPOSITE SHAFT EXTENSION.
2. OPTIONAL THERMOSTAT IS PROVIDED WHEN SPECIFIED.
3. MULTIPLE CAPACITORS ARE CONNECTED IN PARALLEL UNLESS OTHERWISE SPECIFIED.
4. LEAD COLORS ARE OPTIONAL. LEADS MUST ALWAYS BE NUMBERED AS SHOWN.

REV. DESC: REVISE TO SHOW OPTIONAL COLORS			
REV. LTR: D	BY: JLP	REVISED: 04/08/99 1:17	TDR: 0178636
C00000		FILE: AAA00007414	MDL: -
		MTL: -	

BALDOR ELECTRIC Co.

TYPE LC, DV, REV, 6 LEADS

CD0055