



---

# Customer information packet

## EL3403

.25HP, 1745RPM, 1PH, 60HZ, 48, 3414LC, TEFC, F1

Class - None

Division - Not Applicable

## Specifications

Enclosure	TEFC
Frame	48
Frame Material	Steel
Frequency	60.00 Hz
Haz Area Class and Group	None
Haz Area Division	Not Applicable
Motor Letter Type	Cap Start, Cap Run
Output @ Frequency	.250 HP @ 60 HZ
Phase	1
Synchronous Speed @ Frequency	1800 RPM @ 60 HZ
Voltage @ Frequency	230.0 V @ 60 HZ 115.0 V @ 60 HZ
Agency Approvals	CSA CSA EEV NEMA_PREMIUM UR
Ambient Temperature	40 °C
Auxillary Box	No Auxillary Box
Auxillary Box Lead Termination	None
Base Indicator	Rigid
Bearing Grease Type	Polyrex EM (-20F +300F)
Blower	None
Current @ Voltage	1.250 A @ 230.0 V 2.500 A @ 115.0 V
Design Code	-
Drip Cover	No Drip Cover
Duty Rating	CONT
Efficiency @ 100% Load	74.0 %
Electrically Isolated Bearing	Not Electrically Isolated
Feedback Device	NO FEEDBACK
Front Face Code	Standard
Front Shaft Indicator	None

## Part detail

Revision	AE
Type	AC
Mech. spec.	34G374
Base	
Status	PRD/A
Elec. spec.	34WGW955
Layout	34LYG374
Eff. date	02-14-2024
CD Diagram	CD0055
Poles	04
Leads	6#18
Proprietary	False
Created date	01-01-0001

Heater Indicator	No Heater
High Voltage Full Load Amps	1.3 a
Insulation Class	F
Inverter Code	Not Inverter
KVA Code	K
Lifting Lugs	No Lifting Lugs
Locked Bearing Indicator	No Locked Bearing
Motor Lead Exit	Ko Box
Motor Lead Quantity/Wire Size	6 @ 18 AWG
Motor Lead Termination	Flying Leads
Motor Standards	NEMA
Motor Type	3414LC
Mounting Arrangement	F1
Number of Poles	4
Overall Length	11.35 IN
Power Factor	89
Product Family	General Purpose
Pulley End Bearing Type	Ball
Pulley Face Code	Standard
Pulley Shaft Indicator	Standard
Rodent Screen	None
RoHS Status	ROHS COMPLIANT
Service Factor	1.35
Shaft Diameter	0.500 IN
Shaft Extension Location	Pulley End
Shaft Ground Indicator	No Shaft Grounding
Shaft Rotation	Reversible
Shaft Slinger Indicator	No Slinger
Speed	1745 rpm
Speed Code	Single Speed
Starting Method	Direct on line
Thermal Device - Bearing	None
Thermal Device - Winding	None
Vibration Sensor Indicator	No Vibration Sensor

Winding Thermal 1

None

---

Winding Thermal 2

None

---

**Nameplate**

<b>NP2116L</b>									
<b>CAT.NO.</b>	EL3403								
<b>SPEC.</b>	34G374W955G1								
<b>HP</b>	.25								
<b>VOLTS</b>	115/230								
<b>AMP</b>	2.5/1.25								
<b>RPM</b>	1745								
<b>FRAME</b>	48			<b>HZ</b>	60		<b>PH</b>	1	
<b>SER.F.</b>	1.35	<b>CODE</b>	K	<b>DES</b>	-	<b>CL</b>	F		
<b>NEMA-NOM-EFF</b>	74	<b>PF</b>	89						
<b>RATING</b>	40C AMB-CONT								
<b>CC</b>									
<b>DE</b>	6203	<b>ODE</b>	6203						
<b>ENCL</b>	TEFC	<b>SN</b>							
	SFA 3.2/1.6								

**Accessories**

<b>Part number</b>	<b>Description</b>	<b>Multiplier</b>
34-3900T	C-FACE KIT	A8

**AC Induction Motor Performance Data**

Record # 20831

Typical performance - not guaranteed values

Winding: 34WGW955-R002		Type: 3414LC	Enclosure: TEFC	
<b>Nameplate Data</b>			<b>230 V, 60 Hz: High Voltage Connection</b>	
Rated Output (HP)	.25	Full Load Torque	0.75 LB-FT	
Volts	115/230	Start Configuration	direct on line	
Full Load Amps	2.5/1.25	Breakdown Torque	1.9 LB-FT	
R.P.M.	1745	Pull-up Torque	1.7 LB-FT	
Hz	60 Phase	1	Locked-rotor Torque	2.4 LB-FT
NEMA Design Code	- KVA Code	K	Starting Current	9.1 A
Service Factor (S.F.)		1.35	No-load Current	0.7 A
NEMA Nom. Eff.	74 Power Factor	89	Line-line Res. @ 25°C	10.04 Ω A Ph 7.87 Ω B Ph
Rating - Duty		40C AMB-CONT	Temp. Rise @ Rated Load	27°C
S.F. Amps		3.2/1.6	Temp. Rise @ S.F. Load	34°C

**Load Characteristics 230 V, 60 Hz, 0.25 HP**

% of Rated Load	25	50	75	100	125	150	S.F.
Power Factor	64	77	83	87	89	91	90
Efficiency	45.7	62.4	69.5	73.5	74.7	74.2	75.2
Speed	1786	1775	1763	1749	1732	1712	1725
Line amperes	0.7	0.9	1.1	1.3	1.5	1.8	1.6

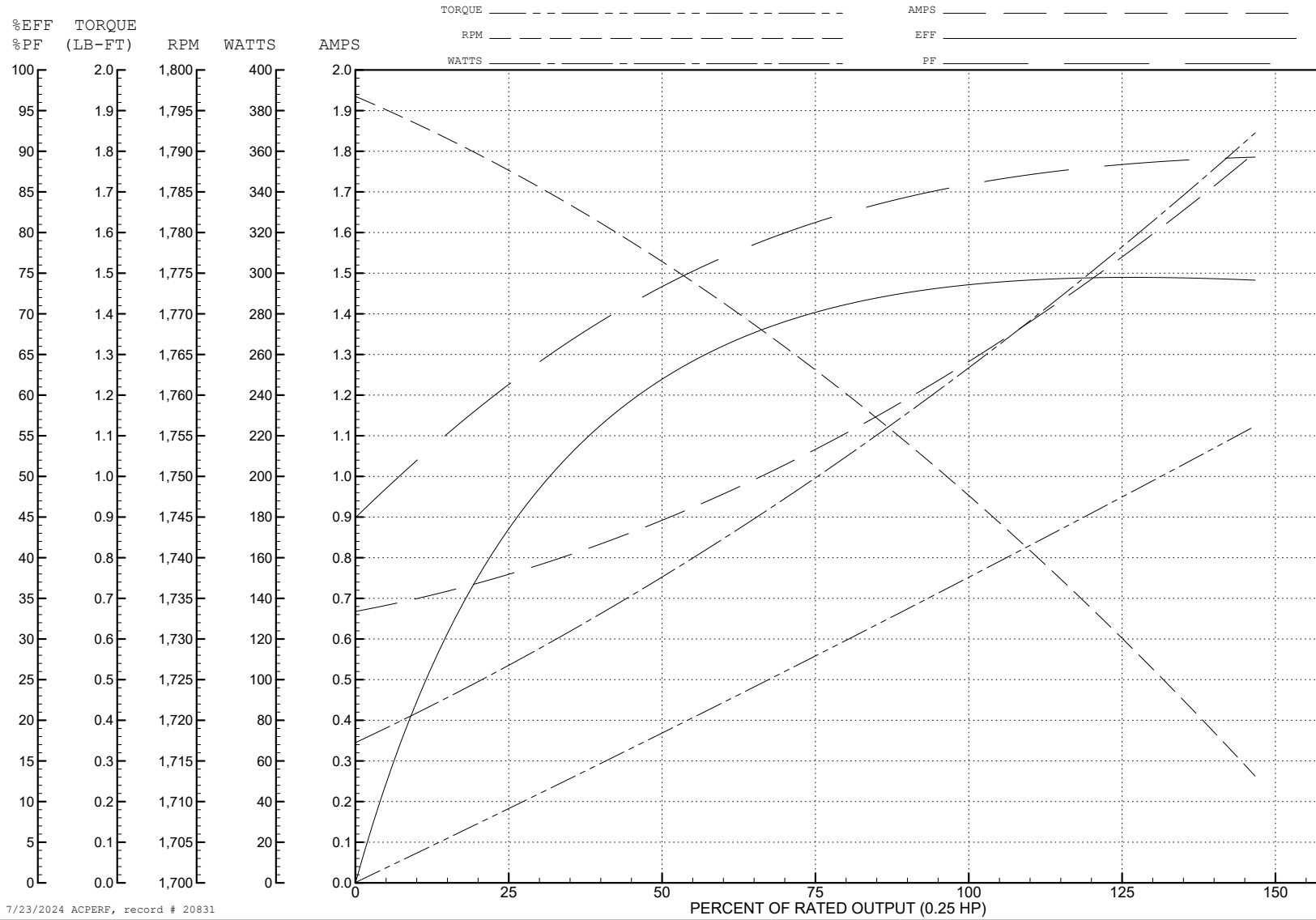
ABB Motors and Mechanical Inc.

WINDING # 34WGW955

0.25 HP 1 PH 60 HZ 1745 RPM 230 V 3414LC

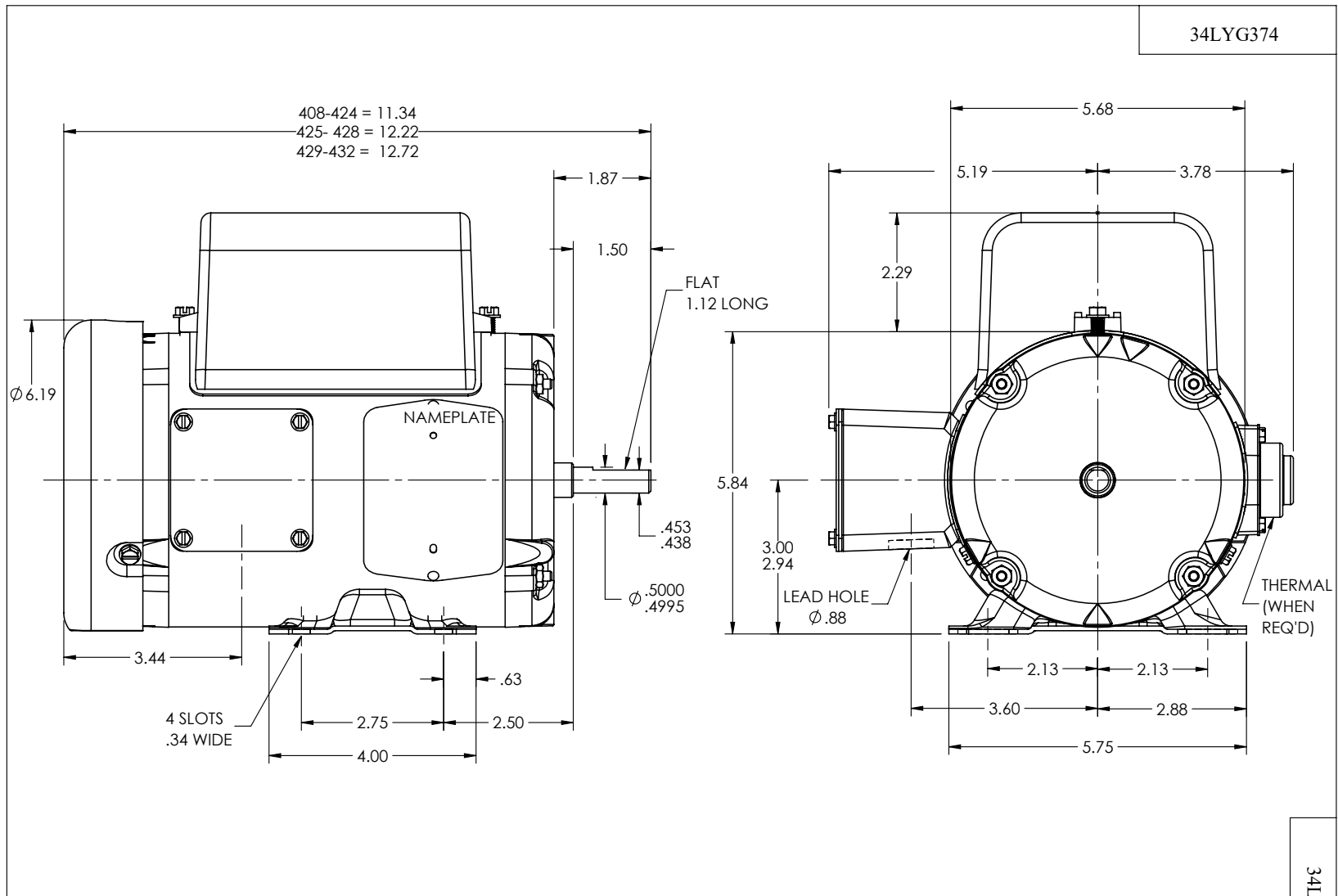
Typical performance - not guaranteed values.

TORQUES (LB-FT): PO=1.9 PU=1.7 LR=2.4 LRA=9.1



7/23/2024 ACPERF, record # 20831





34LYG374

CUSTOMER IS RESPONSIBLE FOR DETERMINING THAT THE PRODUCT WILL PERFORM SUITABLY IN THE INTENDED APPLICATION

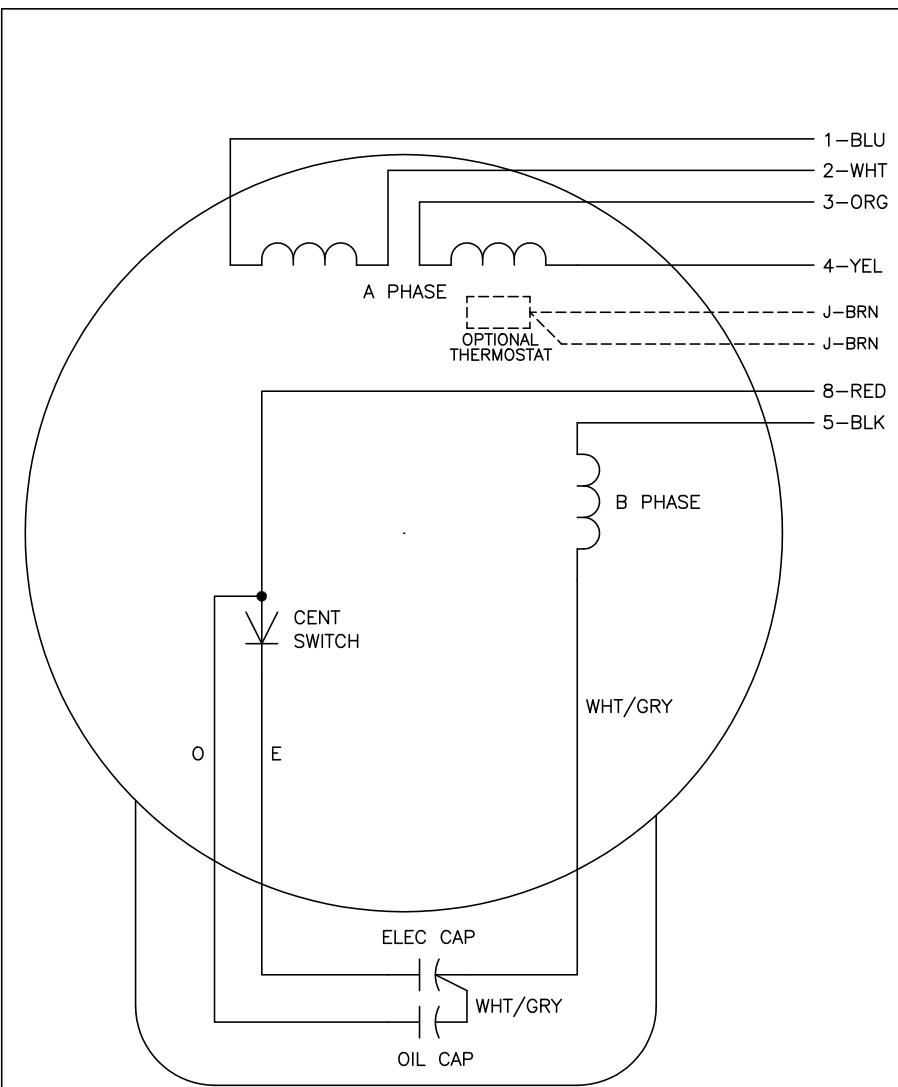
REV. DESC: LOAD TO SOLIDWORKS			
REV: D	VERSION: 03	REVISED: 03:51:27 08/09/2022	TDR: 000001194274
34LYG374	MODEL NO. 34LYG374		REF: -
	BY: ENFRAJ0		

**BALDOR - RELIANCE®**

HOR 34LC NEMA 48 TEFC

34LYG374

CD0055



	LINE A	LINE B	JOIN
HIGH STD	1	4,5	2,3,8
HIGH OPP	1	4,8	2,3,5
LOW STD	1,3,8	2,4,5	-
LOW OPP	1,3,5	2,4,8	-

NOTES:

1. STANDARD ROTATION IS CCW FACING END OPPOSITE SHAFT EXTENSION.
2. OPTIONAL THERMOSTAT IS PROVIDED WHEN SPECIFIED.
3. MULTIPLE CAPACITORS ARE CONNECTED IN PARALLEL UNLESS OTHERWISE SPECIFIED.
4. LEAD COLORS ARE OPTIONAL. LEADS MUST ALWAYS BE NUMBERED AS SHOWN.

REV. DESC: REVISE TO SHOW OPTIONAL COLORS			
REV. LTR: D	BY: JLP	REVISED: 04/08/99 1:17	TDR: 0178636
C00000		FILE: AAA00007414	MDL: -
		MTL: -	

**BALDOR ELECTRIC Co.**

TYPE LC, DV, REV, 6 LEADS

CD0055