



Customer information packet

EL11302

.33HP, 1140RPM, 1PH, 60HZ, 56, 3421LC, ODP, F1

Class - None

Division - Not Applicable

Specifications

Enclosure	ODP
Frame	56
Frame Material	Steel
Frequency	60.00 Hz
Motor Letter Type	Cap Start, Cap Run
Output @ Frequency	.330 HP @ 60 HZ
Phase	1
Synchronous Speed @ Frequency	1200 RPM @ 60 HZ
Voltage @ Frequency	115.0 V @ 60 HZ 230.0 V @ 60 HZ
XP Class and Group	None
XP Division	Not Applicable
Agency Approvals	UR CSA
Ambient Temperature	40 °C
Auxillary Box	No Auxillary Box
Auxillary Box Lead Termination	None
Base Indicator	Rigid
Bearing Grease Type	Polyrex EM (-20F +300F)
Blower	None
Current @ Voltage	1.900 A @ 230.0 V 3.800 A @ 115.0 V
Design Code	N
Drip Cover	No Drip Cover
Duty Rating	CONT
Efficiency @ 100% Load	68.0 %
Electrically Isolated Bearing	Not Electrically Isolated
Feedback Device	NO FEEDBACK
Front Face Code	Standard
Front Shaft Indicator	None
Heater Indicator	No Heater
High Voltage Full Load Amps	1.9 a

Part detail

Revision	H
Type	AC
Mech. spec.	34F353
Base	
Status	PRD/A
Elec. spec.	34WGR143
Layout	34LYF353
Eff. date	12-23-2021
CD Diagram	CD0055
Poles	06
Leads	6#18
Proprietary	False
Created date	03-11-2014

Insulation Class	F
Inverter Code	Not Inverter
KVA Code	J
Lifting Lugs	No Lifting Lugs
Locked Bearing Indicator	No Locked Bearing
Motor Lead Exit	Ko Box
Motor Lead Quantity/Wire Size	6 @ 18 AWG
Motor Lead Termination	Flying Leads
Motor Standards	NEMA
Motor Type	3421LC
Mounting Arrangement	F1
Number of Poles	6
Overall Length	10.13 IN
Power Factor	83
Product Family	General Purpose
Pulley End Bearing Type	Ball
Pulley Face Code	Standard
Pulley Shaft Indicator	Standard
Rodent Screen	None
RoHS Status	ROHS COMPLIANT
Service Factor	1.35
Shaft Diameter	0.625 IN
Shaft Extension Location	Pulley End
Shaft Ground Indicator	No Shaft Grounding
Shaft Rotation	Reversible
Shaft Slinger Indicator	No Slinger
Speed	1140 rpm
Speed Code	Single Speed
Starting Method	Direct on line
Thermal Device - Bearing	None
Thermal Device - Winding	None
Vibration Sensor Indicator	No Vibration Sensor
Winding Thermal 1	None
Winding Thermal 2	None

Nameplate

NP3155L									
CAT.NO.	EL11302								
SPEC.	34F353R143G1								
HP	.33								
VOLTS	115/230								
AMP	3.8/1.9								
RPM	1140								
FRAME	56		HZ	60		PH	1		
SER.F.	1.35	CODE	J	DES	N	CL	F		
F.L. AVG. EFF.	68	PF	83						
RATING	40C AMB-CONT								
CC		USABLE AT 208V							
DE	6203	ODE	6203						
ENCL	ODP	SN							
	SFA 4.8/2.4								

AC Induction Motor Performance Data

Record # 46741

Typical performance - not guaranteed values

Winding: 34WGR143-R001		Type: 3421LC	Enclosure: OPEN	
Nameplate Data			115 V, 60 Hz: Low Voltage Connection	
Rated Output (HP)	.33	Full Load Torque	1.51 LB-FT	
Volts	115/230	Start Configuration	direct on line	
Full Load Amps	3.8/1.9	Breakdown Torque	3.24 LB-FT	
R.P.M.	1140	Pull-up Torque	2.8 LB-FT	
Hz	60 Phase	Locked-rotor Torque	4.73 LB-FT	
NEMA Design Code	N KVA Code	Starting Current	20.8 A	
Service Factor (S.F.)	1.35	No-load Current	2.18 A	
NEMA Nom. Eff.	68 Power Factor	Line-line Res. @ 25°C	2.3572 Ω A Ph 7.0402 Ω B Ph	
Rating - Duty	40C AMB-CONT	Temp. Rise @ Rated Load	43°C	
S.F. Amps	4.8/2.4	Temp. Rise @ S.F. Load	59°C	

Load Characteristics 115 V, 60 Hz, 0.33 HP

% of Rated Load	25	50	75	100	125	150	S.F.
Power Factor	60	72	79	83	86	88	87
Efficiency	40.7	59.2	66.9	70.5	71.1	68.5	70.1
Speed	1186.7	1176.5	1165.3	1152	1135.6	1109.8	1125
Line amperes	2.25	2.56	3.07	3.65	4.33	5.33	4.73

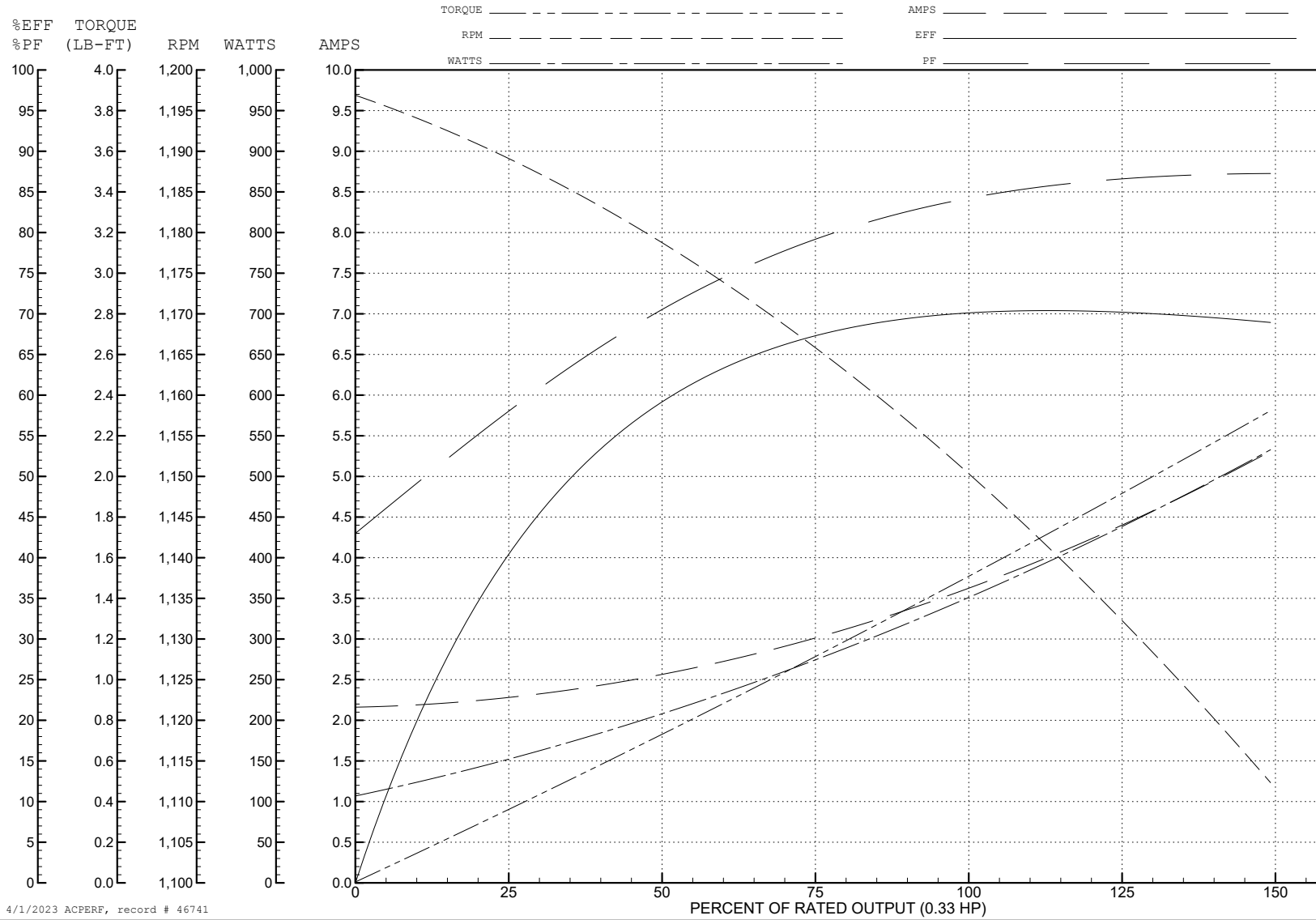
ABB Motors and Mechanical Inc.

WINDING # 34WGR143

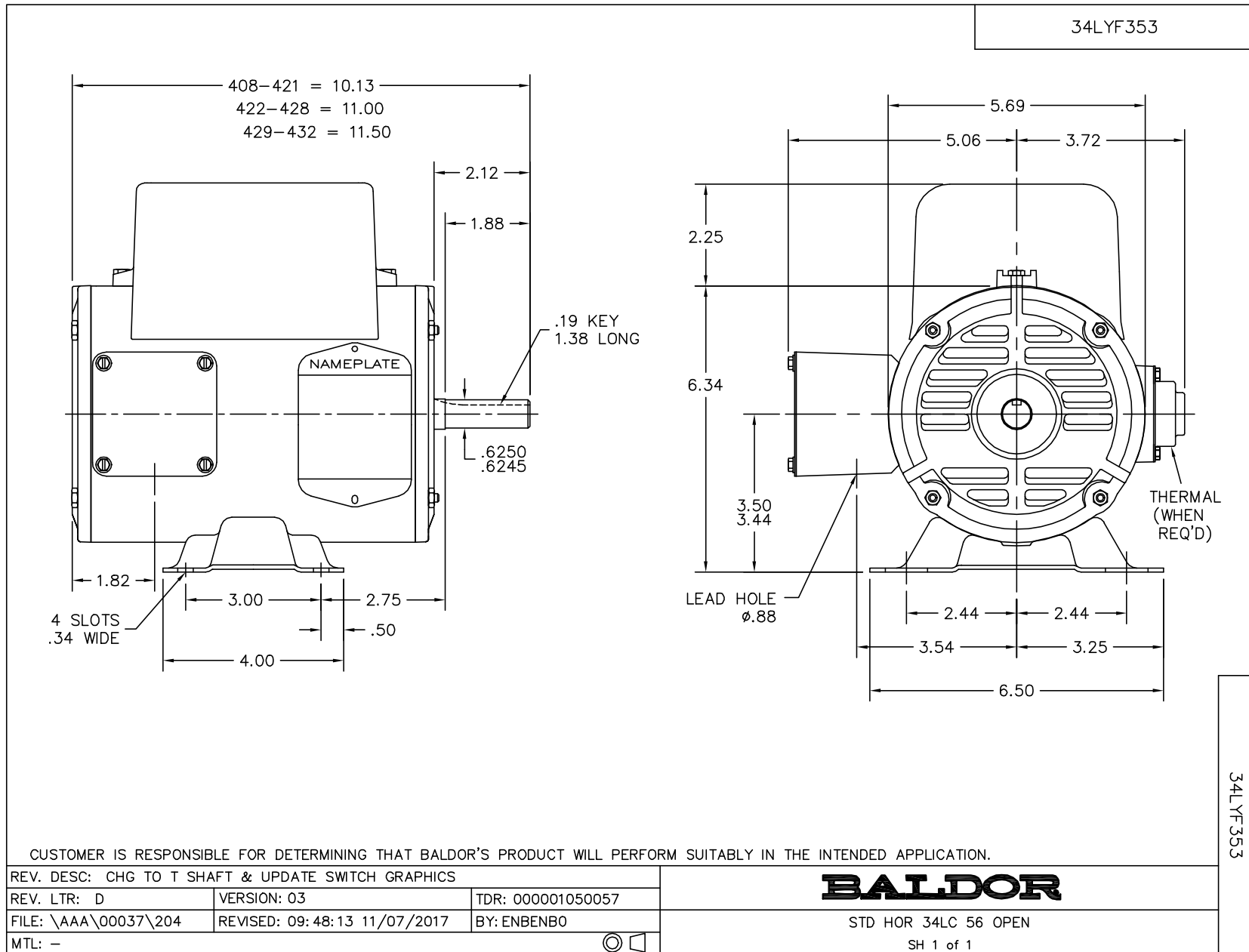
Typical performance - not guaranteed values.

0.33 HP 1 PH 60 HZ 1140 RPM 115 V 3421LC

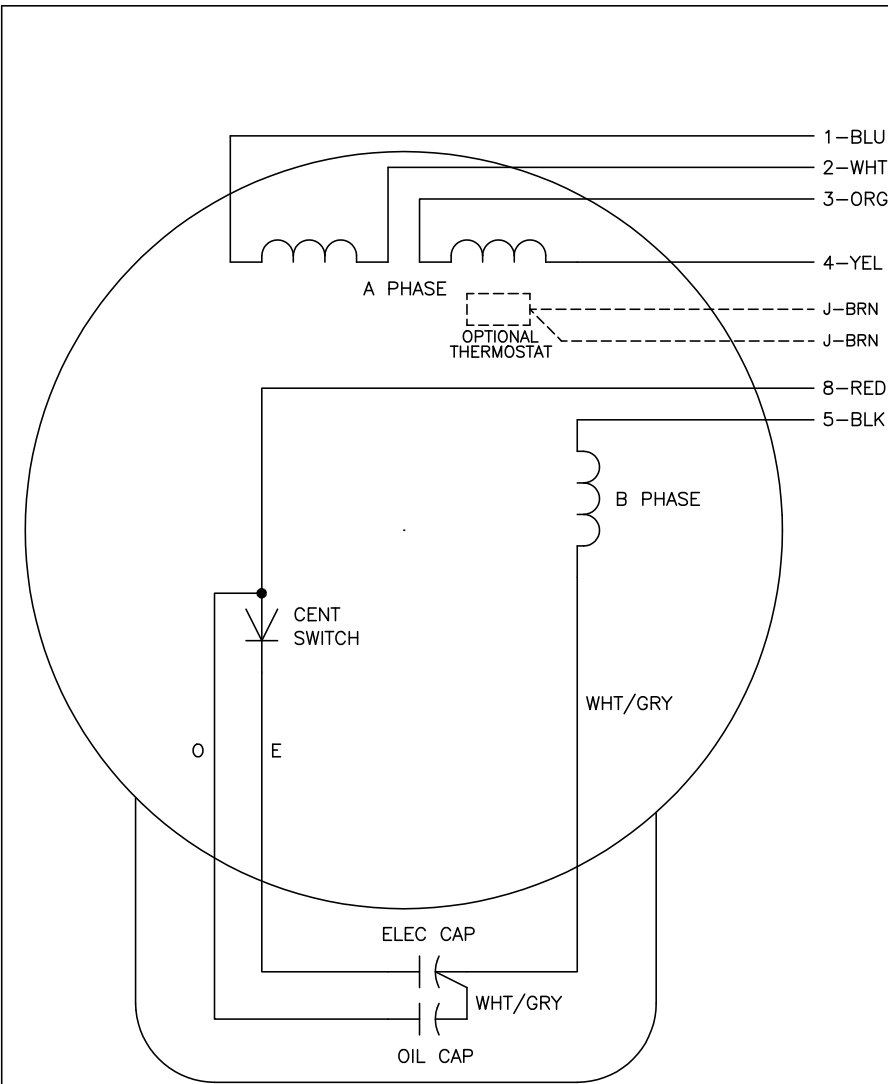
TORQUES (LB-FT): PO=3.24 PU=2.8 LR=4.73 LRA=20.8



4/1/2023 ACPERF, record # 46741



CD0055



	LINE A	LINE B	JOIN
HIGH STD	1	4,5	2,3,8
HIGH OPP	1	4,8	2,3,5
LOW STD	1,3,8	2,4,5	-
LOW OPP	1,3,5	2,4,8	-

NOTES:

1. STANDARD ROTATION IS CCW FACING END OPPOSITE SHAFT EXTENSION.
2. OPTIONAL THERMOSTAT IS PROVIDED WHEN SPECIFIED.
3. MULTIPLE CAPACITORS ARE CONNECTED IN PARALLEL UNLESS OTHERWISE SPECIFIED.
4. LEAD COLORS ARE OPTIONAL. LEADS MUST ALWAYS BE NUMBERED AS SHOWN.

REV. DESC: REVISE TO SHOW OPTIONAL COLORS			
REV. LTR: D	BY: JLP	REVISED: 04/08/99 1:17	TDR: 0178636
C00000		FILE: AAA00007414	MDL: -
		MTL: -	

BALDOR ELECTRIC Co.

TYPE LC, DV, REV, 6 LEADS

CD0055