

BALDOR • RELIANCE

Customer information packet

EJPM7142T-I-5

3HP, 1755RPM, 3PH, 60HZ, 182JP, 0632M, XPFC, F1

Class - CLI GP C,D

Division - Division I

Specifications

Enclosure	XPFC
Frame	182JP
Frame Material	Iron
Frequency	60.00 Hz
Haz Area Class and Group	CLI GP C,D
Haz Area Division	Division I
Motor Letter Type	Three Phase
Output @ Frequency	3.000 HP @ 60 HZ
Phase	3
Synchronous Speed @ Frequency	1800 RPM @ 60 HZ
Voltage @ Frequency	575.0 V @ 60 HZ
Agency Approvals	CSA EEV CSA UR
Ambient Temperature	55 °C
Auxillary Box	No Auxillary Box
Auxillary Box Lead Termination	None
Base Indicator	Rigid
Bearing Grease Type	Polyrex EM (-20F +300F)
Blower	None
Current @ Voltage	3.200 A @ 575.0 V
Design Code	B
Drip Cover	No Drip Cover
Duty Rating	CONT
Efficiency @ 100% Load	89.5 %
Electrically Isolated Bearing	Not Electrically Isolated
Feedback Device	NO FEEDBACK
Front Face Code	Standard
Front Shaft Indicator	None
Haz Area Temp Code	T3C
Heater Indicator	No Heater
High Voltage Full Load Amps	3.2 a

Part detail

Revision	H
Type	AC
Mech. spec.	06H458
Base	
Status	PRD/A
Elec. spec.	06WGX319
Layout	06LYH458
Eff. date	02-21-2024
CD Diagram	CD0006
Poles	04
Leads	3#16
Proprietary	False
Created date	02-18-2016

Insulation Class	F
Inverter Code	Not Inverter
KVA Code	K
Lifting Lugs	Standard Lifting Lugs
Locked Bearing Indicator	Locked Bearing
Motor Lead Exit	Ko Box
Motor Lead Quantity/Wire Size	3 @ 16 AWG
Motor Lead Termination	Flying Leads
Motor Standards	NEMA
Motor Type	X0632M
Mounting Arrangement	F1
Number of Poles	4
Overall Length	22.09 IN
Power Factor	77
Product Family	General Purpose
Pulley End Bearing Type	Ball
Pulley Face Code	C-Face
Pulley Shaft Indicator	Tapped & Key
Rodent Screen	None
RoHS Status	ROHS NON-COMPLIANT
Service Factor	1.15
Shaft Diameter	0.875 IN
Shaft Extension Location	Pulley End
Shaft Ground Indicator	No Shaft Grounding
Shaft Rotation	Reversible
Shaft Slinger Indicator	No Slinger
Speed	1755 rpm
Speed Code	Single Speed
Starting Method	Direct on line
Thermal Device - Bearing	None
Thermal Device - Winding	Normally Closed Thermostat
Vibration Sensor Indicator	No Vibration Sensor
Winding Thermal 1	None
Winding Thermal 2	None

Nameplate**NP0977XPSLEV**

NO.		CC	010A
SER.		TEMP CODE	T3C
SPEC.	06H458X319G1		
CAT.NO.	EJPM7142T-I-5		
HP	3		
VOLTS	575		
AMPS	3.2		
RPM	1755	MOTOR WEIGHT	127
HERTZ	60	PH	3
	CL	F	DE BRG
			6007
SER.F.	1.15	DES	B
	CODE	K	ODE BRG
			6205
FRAME	182JP	GREASE	POLYREX EM
RATING	55C AMB-CONT		
	NEMA-NOM-EFF	89.5	PF
			77

AC Induction Motor Performance Data

Record # 57966

Typical performance - not guaranteed values

Winding: 06WGX319-R016		Type: 0632M	Enclosure: XPFC	
Nameplate Data			575 V, 60 Hz: Single Voltage Motor	
Rated Output (HP)	3	Full Load Torque	8.86 LB-FT	
Volts	575	Start Configuration	direct on line	
Full Load Amps	3.3	Breakdown Torque	32.2 LB-FT	
R.P.M.	1755	Pull-up Torque	16.3 LB-FT	
Hz	60 Phase	Locked-rotor Torque	19.7 LB-FT	
NEMA Design Code	B KVA Code	Starting Current	24.4 A	
Service Factor (S.F.)	1.15	No-load Current	1.71 A	
NEMA Nom. Eff.	89.5 Power Factor	Line-line Res. @ 25°C	6.1461 Ω	
Rating - Duty	55C AMB-CONT	Temp. Rise @ Rated Load	43°C	
S.F. Amps		Temp. Rise @ S.F. Load	53°C	
		Locked-rotor Power Factor	41.5	

Load Characteristics 575 V, 60 Hz, 3 HP

% of Rated Load	25	50	75	100	125	150	S.F.
Power Factor	37	58	70	77	81	83	79
Efficiency	82.8	88.6	89.9	89.9	89.1	88	89.4
Speed	1790.3	1781.2	1771.5	1761.2	1749	1736	1754
Line amperes	1.86	2.2	2.67	3.22	3.9	4.63	3.63

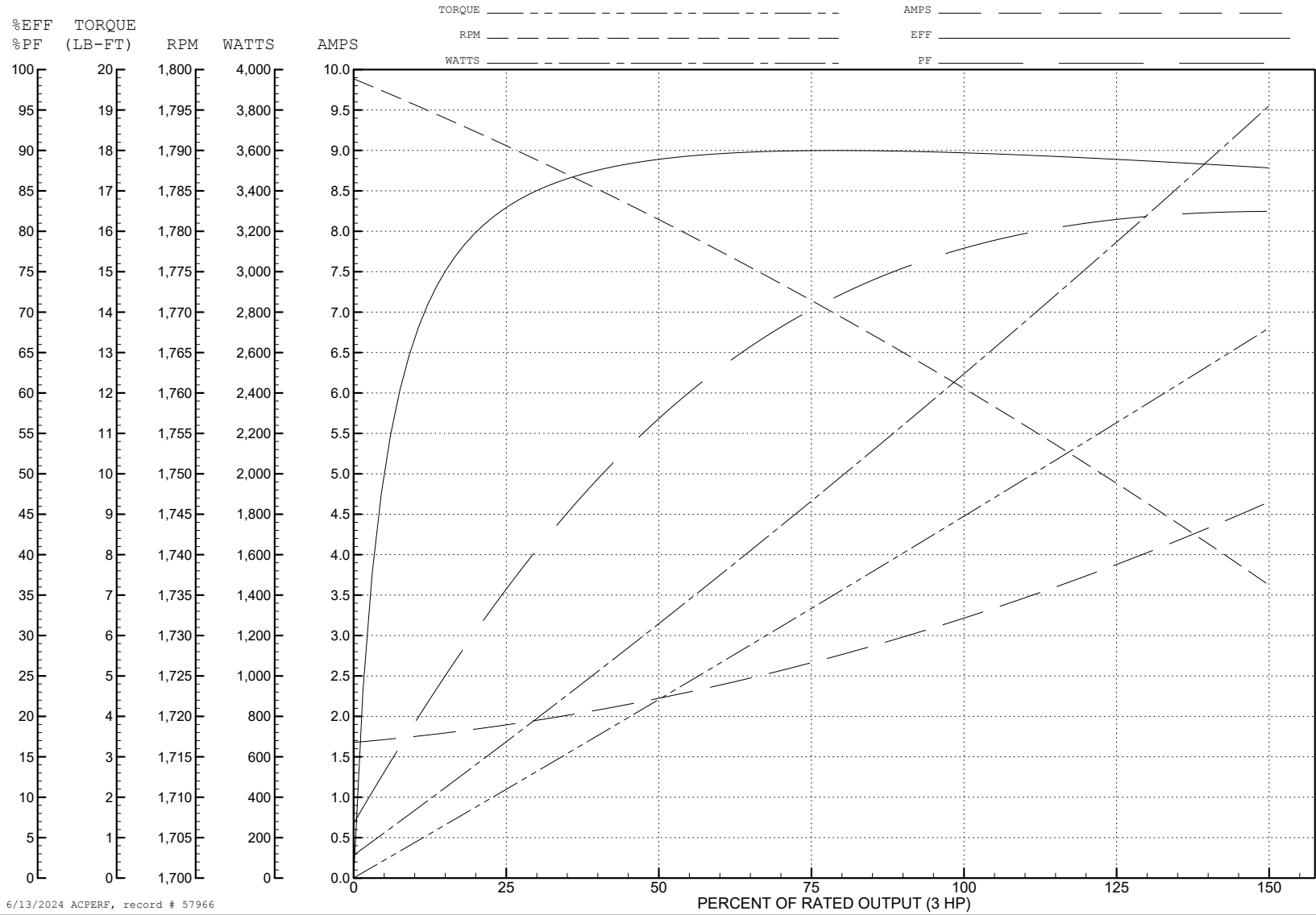
ABB Motors and Mechanical Inc.

WINDING # 06WGX319

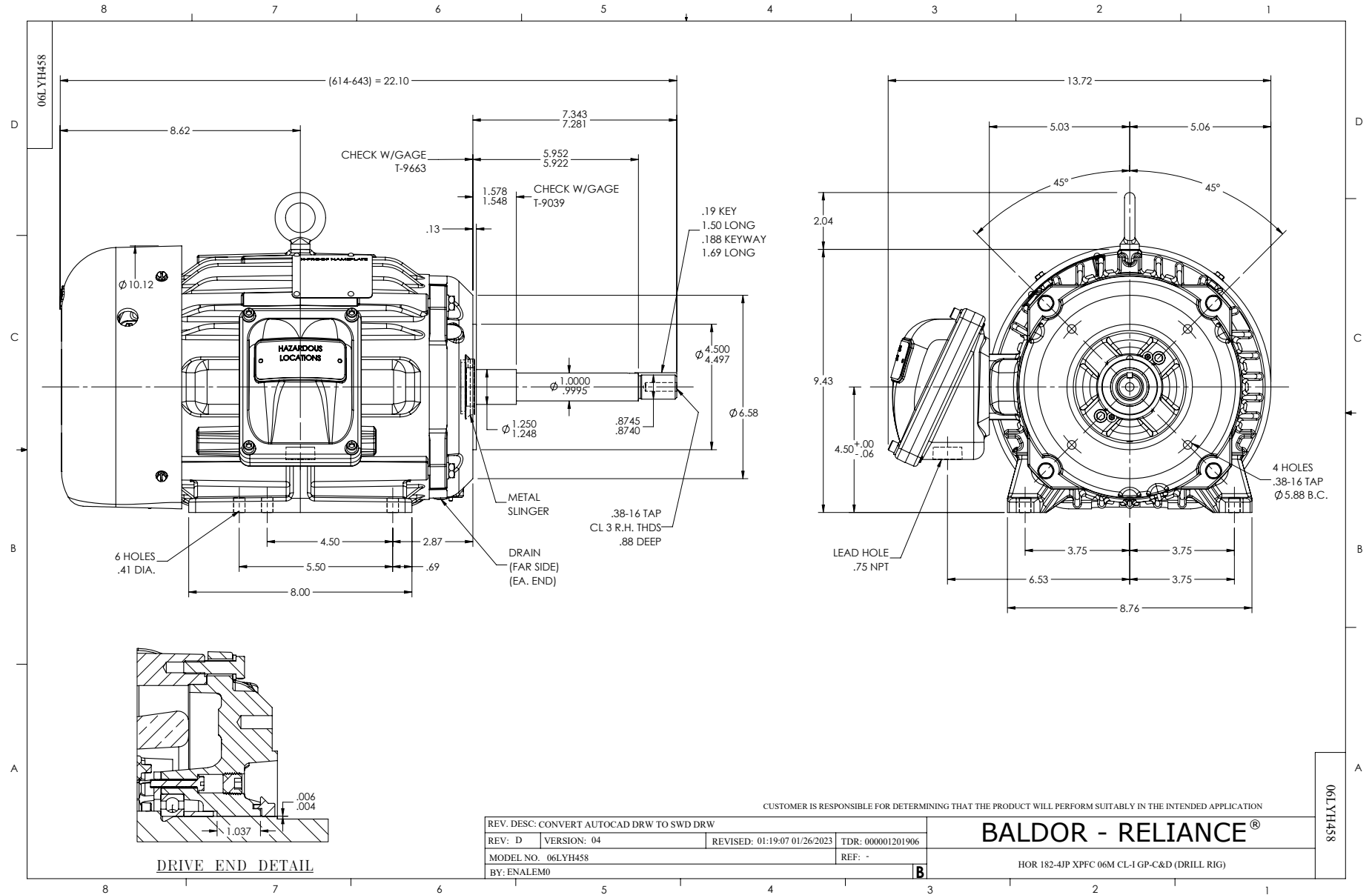
3 HP 3 PH 60 HZ 1755 RPM 575 V 0632M

Typical performance - not guaranteed values.

TORQUES (LB-FT): PO=32.2 PU=16.3 LR=19.7 LRA=24.4



6/13/2024 ACPERF, record # 57966



CD0006



NOTES:

1. THREE LEAD MOTOR MAY BE EITHER WYE CONNECTED OR DELTA CONNECTED.
2. INTERCHANGE ANY TWO LINE LEADS TO REVERSE ROTATION.
3. OPTIONAL THERMOSTATS ARE PROVIDED WHEN SPECIFIED.
4. ACTUAL NUMBER OF INTERNAL PARALLEL CIRCUITS MAY VARY.
5. LEAD COLORS ARE OPTIONAL. LEADS MUST BE NUMBERED AS SHOWN.

CD0006

REV. DESC: ADD CLASS CONN00000007		
REV. LTR: E	VERSION: 01	TDR: 000001099922
FILE: \AAA\00005\141	REVISED: 10:24:49 02/19/2019	BY: ENBRIRO
MTL: -	© □	

BALDOR - RELIANCE®

3PH, SV, 3 LEADS, WYE OR DELTA CONNECTED

SH 1 of 1