

BALDOR • RELIANCE

Customer information packet

EJPM4108T

30HP, 3525RPM, 3PH, 60HZ, 286JP, 1048M, TEFC, F

Class - None

Division - Not Applicable

Specifications

Enclosure	TEFC
Frame	286JP
Frame Material	Iron
Frequency	60.00 Hz
Haz Area Class and Group	None
Haz Area Division	Not Applicable
Motor Letter Type	Three Phase
Output @ Frequency	30.000 HP @ 60 HZ
Phase	3
Synchronous Speed @ Frequency	3600 RPM @ 60 HZ
Voltage @ Frequency	460.0 V @ 60 HZ 230.0 V @ 60 HZ
Agency Approvals	CSA CSA EEV NEMA PREMIUM UR
Ambient Temperature	40 °C
Auxillary Box	No Auxillary Box
Auxillary Box Lead Termination	None
Base Indicator	Rigid
Bearing Grease Type	Polyrex EM (-20F +300F)
Blower	None
Current @ Voltage	34.000 A @ 460.0 V 68.000 A @ 230.0 V
Design Code	B
Drip Cover	No Drip Cover
Duty Rating	CONT
Efficiency @ 100% Load	91.7 %
Electrically Isolated Bearing	Not Electrically Isolated
Feedback Device	NO FEEDBACK
Front Face Code	Standard
Front Shaft Indicator	None

Part detail

Revision	L
Type	AC
Mech. spec.	10E381
Base	
Status	PRD/A
Elec. spec.	10WGZ501
Layout	10LYE381
Eff. date	06-27-2024
CD Diagram	CD0180
Poles	02
Leads	9#10
Proprietary	False
Created date	08-31-2017

Heater Indicator	No Heater
High Voltage Full Load Amps	34.0 a
Insulation Class	F
Inverter Code	Inverter Duty
KVA Code	G
Lifting Lugs	Standard Lifting Lugs
Locked Bearing Indicator	Locked Bearing
Motor Lead Exit	Ko Box
Motor Lead Quantity/Wire Size	9 @ 10 AWG
Motor Lead Termination	Flying Leads
Motor Standards	NEMA
Motor Type	1048M
Mounting Arrangement	F1
Number of Poles	2
Overall Length	31.51 IN
Power Factor	90
Product Family	General Purpose
Pulley End Bearing Type	Ball
Pulley Face Code	C-Face
Pulley Shaft Indicator	Pump Coupling Shaft
Rodent Screen	None
Service Factor	1.15
Shaft Diameter	1.250 IN
Shaft Extension Location	Pulley End
Shaft Ground Indicator	No Shaft Grounding
Shaft Rotation	Reversible
Shaft Slinger Indicator	Shaft Slinger
Speed	3525 rpm
Speed Code	Single Speed
Starting Method	Direct on line
Thermal Device - Bearing	None
Thermal Device - Winding	None
Vibration Sensor Indicator	No Vibration Sensor
Winding Thermal 1	None

Winding Thermal 2

None

Nameplate

NP3443LUA

CAT.NO.	EJPM4108T			CUST. P/N			ENCL	TEFC
SPEC.	10E381Z501G1	CC	010A	FRAME	286JP		SER.NO.	
HP	30	CLASS	F	HZ	60			
R.P.M.	3525	PH.	3	DES.	B			
VOLTS	230/460	CODE	G	ODE BRG	6309	DE BRG	6312	
AMPS	68/34							
RATING	40C AMB-CONT	NEMA NOM. EFF.	91.7	GREASE	POLYREX EM			
P.F.	90	SER.F.	1.15	CT6-60H(10:1)VT3-60H(20:1)				
USABLE AT	50HZ 30HP 190/380V 82/41A		SF1.0					
VOLTS	AMPS	MAX. SPACE HEATER TEMP.						

AC Induction Motor Performance Data

Record # 55452

Typical performance - not guaranteed values

Winding: 10WGZ501-R001		Type: 1048M		Enclosure: TEFC	
Nameplate Data			460 V, 60 Hz: High Voltage Connection		
Rated Output (HP)	30		Full Load Torque	44.8 LB-FT	
Volts	230/460		Start Configuration	direct on line	
Full Load Amps	68/34		Breakdown Torque	135 LB-FT	
R.P.M.	3520		Pull-up Torque	47 LB-FT	
Hz	60 Phase	3	Locked-rotor Torque	65.2 LB-FT	
NEMA Design Code	B KVA Code	G	Starting Current	212 A	
Service Factor (S.F.)	1.15		No-load Current	8.74 A	
NEMA Nom. Eff.	91.7 Power Factor	90	Line-line Res. @ 25°C	0.24052 Ω	
Rating - Duty	40C AMB-CONT		Temp. Rise @ Rated Load	69°C	
S.F. Amps			Temp. Rise @ S.F. Load	85°C	
			Locked-rotor Power Factor	23.2	

Load Characteristics 460 V, 60 Hz, 30 HP

% of Rated Load	25	50	75	100	125	150	S.F.
Power Factor	67	83	88	90	90	90	90
Efficiency	87	91.3	92	91.7	90.9	89.7	91.2
Speed	3583	3565.7	3547.3	3526.7	3504.4	3479.1	3513
Line amperes	12.4	18.7	26.1	34.1	43.1	52.5	39.5

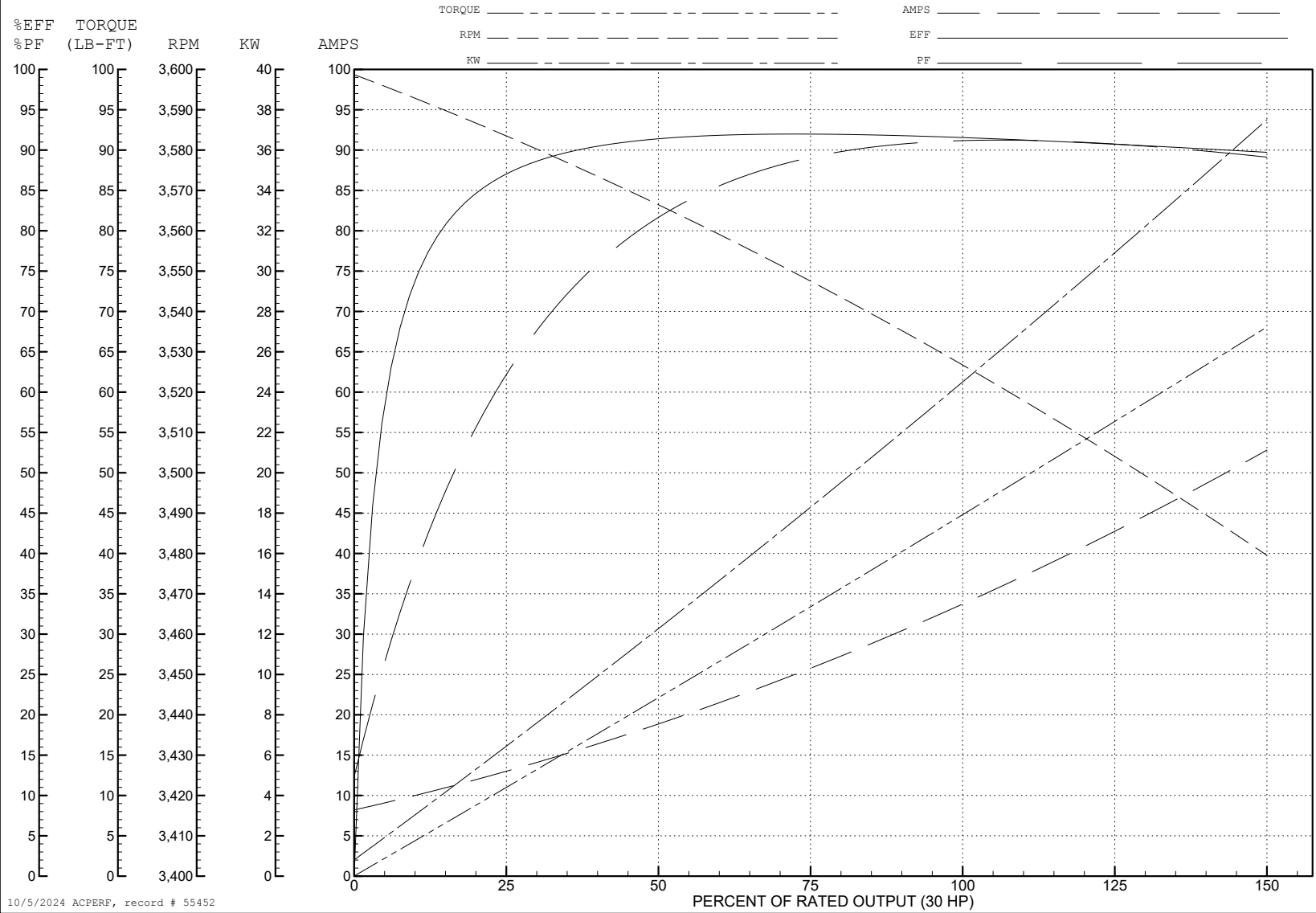
ABB Motors and Mechanical Inc.

WINDING # 10WGZ501

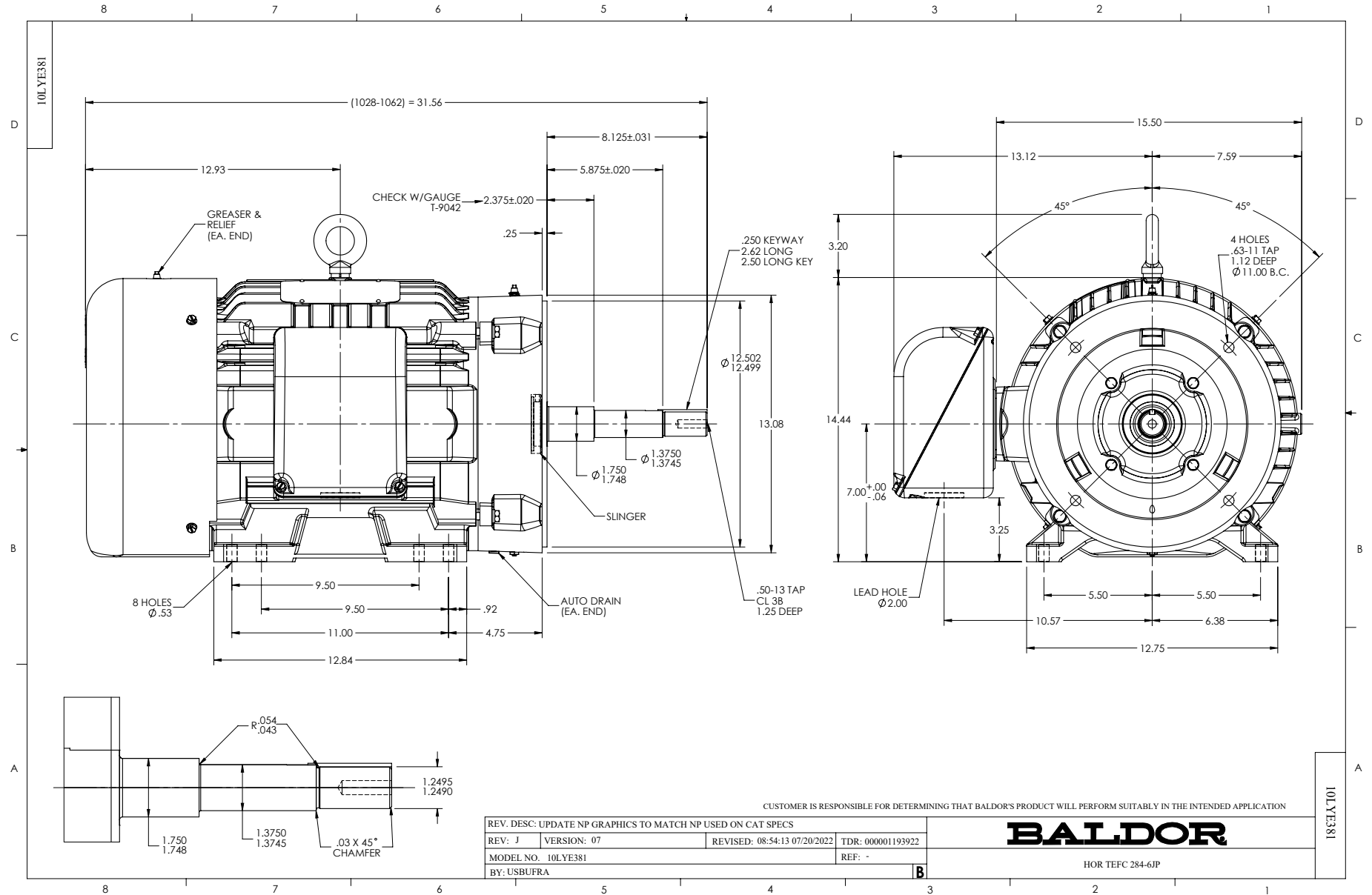
Typical performance - not guaranteed values.

30 HP 3 PH 60 HZ 3520 RPM 460 V 1048M

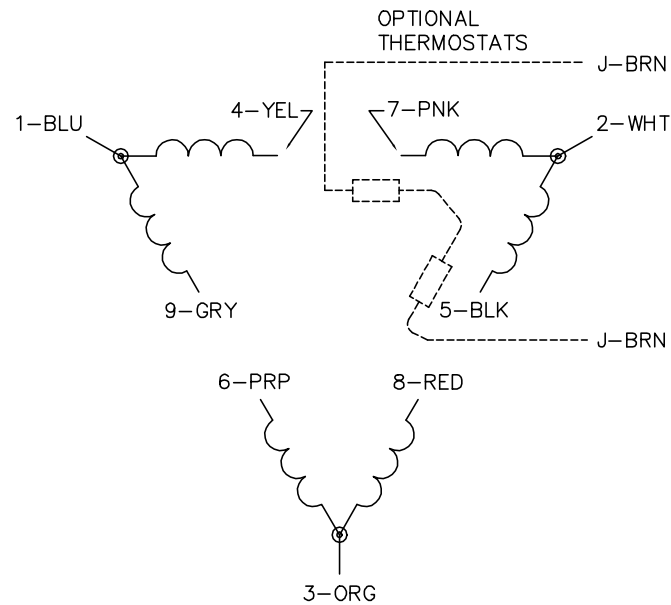
TORQUES (LB-FT): PO=135 PU=47 LR=65.2 LRA=212



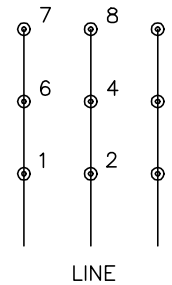
10/5/2024 ACPERF, record # 55452



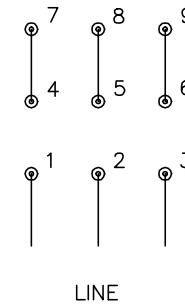
CD0180



LOW VOLTAGE
(2D)



HIGH VOLTAGE
(1D)



NOTES:

1. INTERCHANGE ANY TWO LINE LEADS TO REVERSE ROTATION.
2. OPTIONAL THERMOSTATS ARE PROVIDED WHEN SPECIFIED.
3. ACTUAL NUMBER OF INTERNAL PARALLEL CIRCUITS MAY BE A MULTIPLE OF THOSE SHOWN ABOVE.
4. LEAD COLORS ARE OPTIONAL. LEADS MUST ALWAYS BE NUMBERED AS SHOWN.

CD0180

REV. DESC: ADD CLASS CONN00000007		
REV. LTR: D	VERSION: 01	TDR: 000001099922
FILE: \AAA\00005\148	REVISED: 10:25:29 02/19/2019	BY: ENBRIRO
MTL: -	© □	

BALDOR - RELIANCE®

3PH, DV, 9 LEADS, DELTA CONNECTION

SH 1 of 1