

**BALDOR • RELIANCE**

---

# Customer information packet

## EJPM4103T

25HP, 1775RPM, 3PH, 60HZ, 284JP, 1054M, TEFC, F

Class - None

Division - Not Applicable

## Specifications

Enclosure	TEFC
Frame	284JP
Frame Material	Iron
Frequency	60.00 Hz
Haz Area Class and Group	None
Haz Area Division	Not Applicable
Motor Letter Type	Three Phase
Output @ Frequency	25.000 HP @ 60 HZ
Phase	3
Synchronous Speed @ Frequency	1800 RPM @ 60 HZ
Voltage @ Frequency	460.0 V @ 60 HZ 230.0 V @ 60 HZ
Agency Approvals	CSA CSA EEV UR
Ambient Temperature	40 °C
Auxillary Box	No Auxillary Box
Auxillary Box Lead Termination	None
Base Indicator	Rigid
Bearing Grease Type	Polyrex EM (-20F +300F)
Blower	None
Current @ Voltage	62.000 A @ 230.0 V 64.000 A @ 208.0 V 31.000 A @ 460.0 V
Design Code	A
Drip Cover	No Drip Cover
Duty Rating	CONT
Efficiency @ 100% Load	93.6 %
Electrically Isolated Bearing	Not Electrically Isolated
Feedback Device	NO FEEDBACK
Front Face Code	Standard
Front Shaft Indicator	None

## Part detail

Revision	Q
Type	AC
Mech. spec.	10E381
Base	
Status	PRD/A
Elec. spec.	10WGZ651
Layout	10LYE381
Eff. date	06-27-2024
CD Diagram	CD0180
Poles	04
Leads	9#10
Proprietary	False
Created date	10-19-2017

Heater Indicator	No Heater
High Voltage Full Load Amps	31.0 a
Insulation Class	F
Inverter Code	Inverter Ready
KVA Code	J
Lifting Lugs	Standard Lifting Lugs
Locked Bearing Indicator	Locked Bearing
Motor Lead Exit	Ko Box
Motor Lead Quantity/Wire Size	9 @ 10 AWG
Motor Lead Termination	Flying Leads
Motor Standards	NEMA
Motor Type	1054M
Mounting Arrangement	F1
Number of Poles	4
Overall Length	31.51 IN
Power Factor	81
Product Family	General Purpose
Pulley End Bearing Type	Ball
Pulley Face Code	C-Face
Pulley Shaft Indicator	Pump Coupling Shaft
Rodent Screen	None
Service Factor	1.15
Shaft Diameter	1.750 IN
Shaft Extension Location	Pulley End
Shaft Ground Indicator	No Shaft Grounding
Shaft Rotation	Reversible
Shaft Slinger Indicator	Shaft Slinger
Speed	1775 rpm
Speed Code	Single Speed
Starting Method	Direct on line
Thermal Device - Bearing	NONE (OLD)
Thermal Device - Winding	None
Vibration Sensor Indicator	No Vibration Sensor
Winding Thermal 1	None

**Winding Thermal 2**

**None**

---

**Nameplate**

**NP3443LUA**

<b>CAT.NO.</b>	EJPM4103T	<b>CUST. P/N</b>				<b>ENCL</b>	<b>TEFC</b>
<b>SPEC.</b>	10E381Z651G1	<b>CC</b>	010A	<b>FRAME</b>	284JP	<b>SER.NO.</b>	
<b>HP</b>	25	<b>CLASS</b>	F	<b>HZ</b>	60		
<b>R.P.M.</b>	1775	<b>PH.</b>	3	<b>DES.</b>	A		
<b>VOLTS</b>	230/460	<b>CODE</b>	J	<b>ODE BRG</b>	6309	<b>DE BRG</b>	6312
<b>AMPS</b>	62/31						
<b>RATING</b>	40C AMB-CONT	<b>NEMA NOM. EFF.</b>	93.6	<b>GREASE</b>	POLYREX EM		
<b>P.F.</b>	81	<b>SER.F.</b>	1.15	<b>CT6-60H(10:1)VT3-60H(20:1)</b>			
<b>USABLE AT</b>	50HZ 25HP 190/380V 72/36A		SF1.0				
<b>VOLTS</b>	<b>AMPS</b>	<b>MAX. SPACE HEATER TEMP.</b>					

**AC Induction Motor Performance Data**

Record # 66703

Typical performance - not guaranteed values

<b>Winding: 10WGZ651-R001</b>		<b>Type: 1054M</b>		<b>Enclosure: TEFC</b>	
<b>Nameplate Data</b>			<b>460 V, 60 Hz: High Voltage Connection</b>		
<b>Rated Output (HP)</b>	25	<b>Full Load Torque</b>	74.02 LB-FT		
<b>Volts</b>	230/460	<b>Start Configuration</b>	direct on line		
<b>Full Load Amps</b>	62/31	<b>Breakdown Torque</b>	262 LB-FT		
<b>R.P.M.</b>	1775	<b>Pull-up Torque</b>	118 LB-FT		
<b>Hz</b>	60 <b>Phase</b>	3	<b>Locked-rotor Torque</b>	142 LB-FT	
<b>NEMA Design Code</b>	A <b>KVA Code</b>	J	<b>Starting Current</b>	223 A	
<b>Service Factor (S.F.)</b>	1.15	<b>No-load Current</b>	13.6 A		
<b>NEMA Nom. Eff.</b>	93.6 <b>Power Factor</b>	81	<b>Line-line Res. @ 25°C</b>	0.2345 Ω	
<b>Rating - Duty</b>	40C AMB-CONT	<b>Temp. Rise @ Rated Load</b>	51°C		
<b>S.F. Amps</b>		<b>Temp. Rise @ S.F. Load</b>	61°C		
		<b>Locked-rotor Power Factor</b>	30.6		

**Load Characteristics 460 V, 60 Hz, 25 HP**

<b>% of Rated Load</b>	<b>25</b>	<b>50</b>	<b>75</b>	<b>100</b>	<b>125</b>	<b>150</b>	<b>S.F.</b>
<b>Power Factor</b>	43	65	76	81	84	85	83
<b>Efficiency</b>	88.3	92.8	93.9	94	93.7	93.1	93.8
<b>Speed</b>	1794.1	1789.3	1783.5	1777.8	1770.8	1763.8	1774
<b>Line amperes</b>	15.3	19.3	24.6	30.6	37.2	44.5	34.6

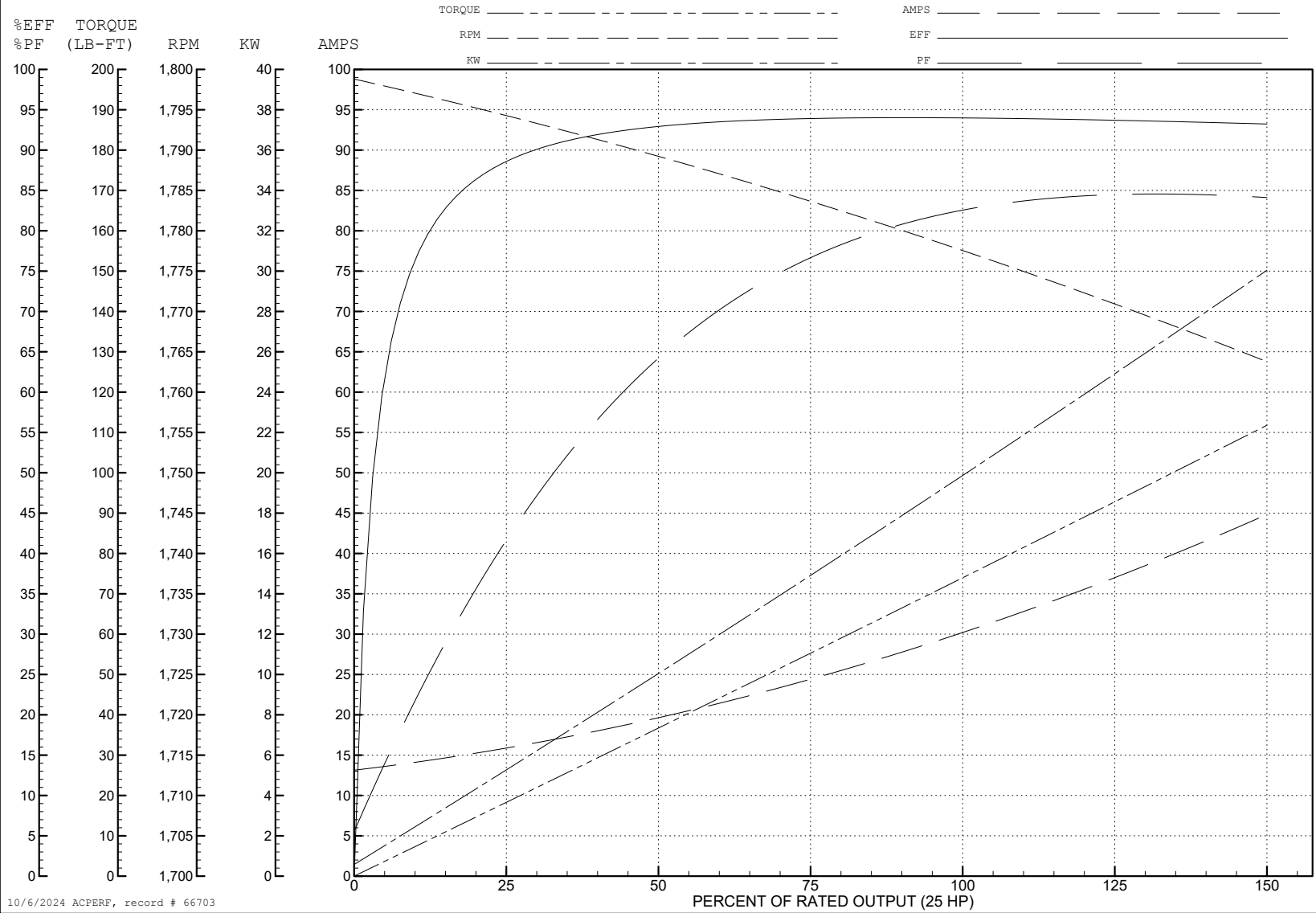
ABB Motors and Mechanical Inc.

WINDING # 10WGZ651

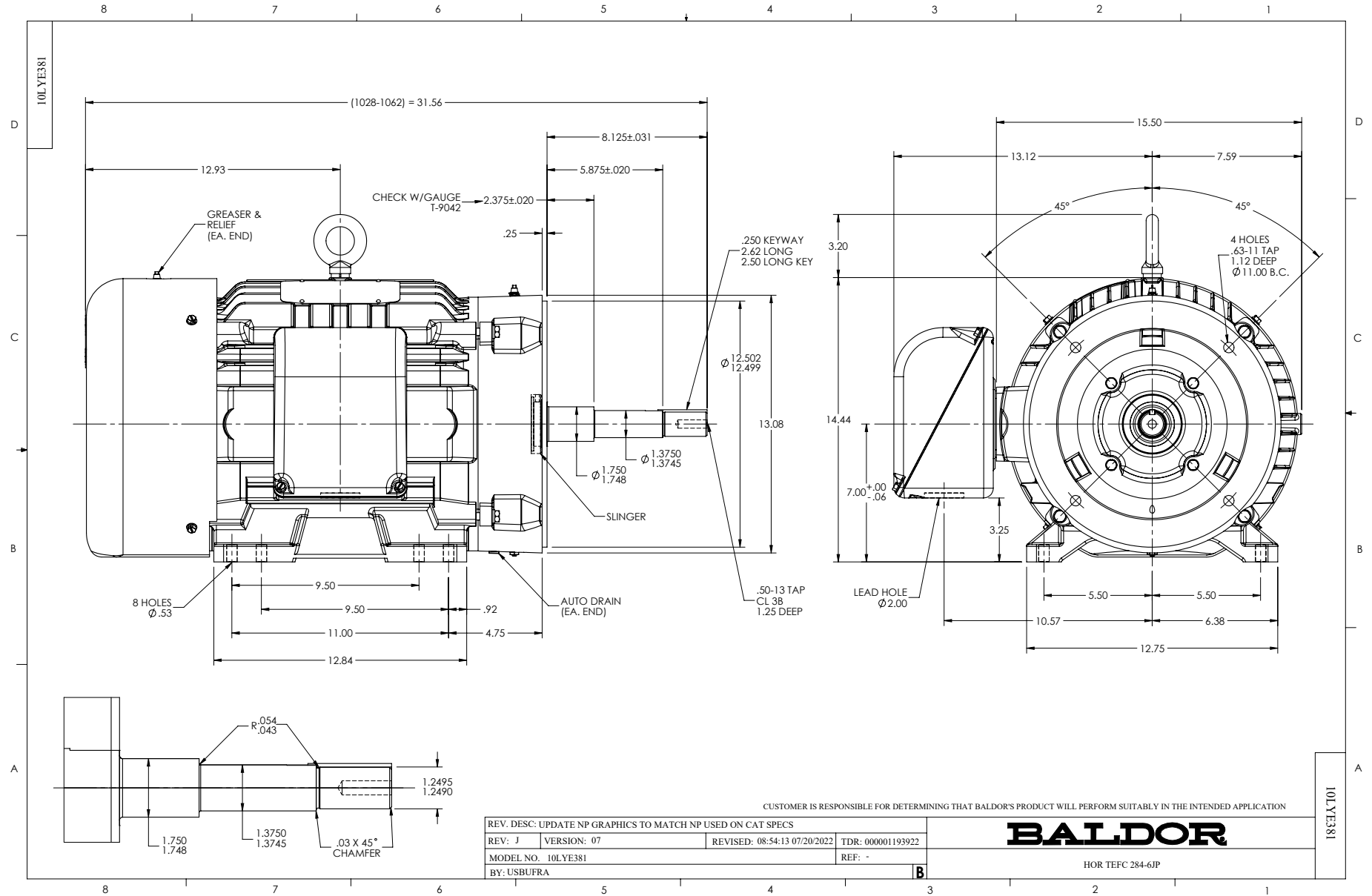
Typical performance - not guaranteed values.

25 HP 3 PH 60 HZ 1775 RPM 460 V 1054M

TORQUES (LB-FT): PO=262 PU=118 LR=142 LRA=223



10/6/2024 ACPERF, record # 66703





CD0180



LOW VOLTAGE  
(2D)



HIGH VOLTAGE  
(1D)



NOTES:

1. INTERCHANGE ANY TWO LINE LEADS TO REVERSE ROTATION.
2. OPTIONAL THERMOSTATS ARE PROVIDED WHEN SPECIFIED.
3. ACTUAL NUMBER OF INTERNAL PARALLEL CIRCUITS MAY BE A MULTIPLE OF THOSE SHOWN ABOVE.
4. LEAD COLORS ARE OPTIONAL. LEADS MUST ALWAYS BE NUMBERED AS SHOWN.

CD0180

REV. DESC: ADD CLASS CONN00000007		
REV. LTR: D	VERSION: 01	TDR: 000001099922
FILE: \AAA\00005\148	REVISED: 10: 25: 29 02/19/2019	BY: ENBRIRO
MTL: -	© □	

**BALDOR - RELIANCE®**

3PH, DV, 9 LEADS, DELTA CONNECTION

SH 1 of 1