

BALDOR • RELIANCE

Customer information packet

EJPM3219T

7.5HP/3500RPM/3PH/OPSB/NEMA 184JP

Class - None

Division - Not Applicable

Specifications

Enclosure	OPSB
Frame	184JP
Frame Material	Steel
Frequency	60.00 Hz
Haz Area Class and Group	None
Haz Area Division	Not Applicable
Motor Letter Type	Three Phase
Output @ Frequency	7.500 HP @ 60 HZ
Phase	3
Synchronous Speed @ Frequency	3600 RPM @ 60 HZ
Voltage @ Frequency	460.0 V @ 60 HZ 230.0 V @ 60 HZ
Agency Approvals	CSA EEV NEMA PREMIUM UR CSA
Ambient Temperature	40 °C
Auxillary Box	No Auxillary Box
Auxillary Box Lead Termination	None
Base Indicator	Rigid
Bearing Grease Type	Polyrex EM (-20F +300F)
Blower	None
Current @ Voltage	18.000 A @ 208.0 V 8.600 A @ 460.0 V 17.200 A @ 230.0 V
Design Code	A
Drip Cover	No Drip Cover
Duty Rating	CONT
Efficiency @ 100% Load	88.5 %
Electrically Isolated Bearing	Not Electrically Isolated
Feedback Device	NO FEEDBACK
Front Face Code	Standard

Part detail

Revision	K
Type	AC
Mech. spec.	36J514
Base	
Status	PRD/A
Elec. spec.	36WGS516
Layout	36LYJ514
Eff. date	05-01-2024
CD Diagram	CD0005
Poles	02
Leads	9#16
Proprietary	False
Created date	05-27-2015

Front Shaft Indicator	None
Heater Indicator	No Heater
High Voltage Full Load Amps	8.6 a
Insulation Class	F
Inverter Code	Inverter Ready
KVA Code	L
Lifting Lugs	No Lifting Lugs
Locked Bearing Indicator	Locked Bearing
Motor Lead Exit	Ko Box
Motor Lead Quantity/Wire Size	9 @ 16 AWG
Motor Lead Termination	Flying Leads
Motor Standards	NEMA
Motor Type	3632M
Mounting Arrangement	F1
Number of Poles	2
Overall Length	19.56 IN
Power Factor	89
Product Family	General Purpose
Pulley End Bearing Type	Ball
Pulley Face Code	C-Face
Pulley Shaft Indicator	Tapped & Key
Rodent Screen	Included
Service Factor	1.15
Shaft Diameter	0.875 IN
Shaft Extension Location	Pulley End
Shaft Ground Indicator	No Shaft Grounding
Shaft Rotation	Reversible
Shaft Slinger Indicator	No Slinger
Speed	3450 rpm
Speed Code	Single Speed
Starting Method	Direct on line
Thermal Device - Bearing	None
Thermal Device - Winding	None
Vibration Sensor Indicator	No Vibration Sensor

Winding Thermal 1	None
Winding Thermal 2	None

Nameplate

NP1259L									
CAT.NO.	EJPM3219T								
SPEC.	36J514S516G1								
HP	7.5								
VOLTS	230/460								
AMP	17.2/8.6								
RPM	3450								
FRAME	184JP	HZ	60	PH	3				
SER.F.	1.15	CODE	L	DES	A	CL	F		
NEMA-NOM-EFF	88.5	PF	89						
RATING	40C AMB-CONT								
CC	010A								
DE	6207	ODE	6205						
ENCL	OPSB	SN							

AC Induction Motor Performance Data

Record # 51132

Typical performance - not guaranteed values

Winding: 36WGS516-R012		Type: 3632M	Enclosure: ODP
Nameplate Data		460 V, 60 Hz: High Voltage Connection	
Rated Output (HP)	7.5	Full Load Torque	11.3 LB-FT
Volts	230/460	Start Configuration	direct on line
Full Load Amps	17.2/8.6	Breakdown Torque	55.2 LB-FT
R.P.M.	3450	Pull-up Torque	37 LB-FT
Hz	60 Phase	Locked-rotor Torque	42.6 LB-FT
NEMA Design Code	A KVA Code	Starting Current	86.3 A
Service Factor (S.F.)	1.15	No-load Current	3.02 A
NEMA Nom. Eff.	88.5 Power Factor	Line-line Res. @ 25°C	1.59 Ω
Rating - Duty	40C AMB-CONT	Temp. Rise @ Rated Load	43°C
S.F. Amps		Temp. Rise @ S.F. Load	53°C
		Locked-rotor Power Factor	47.4
		Rotor inertia	0.143 LB-FT ²

Load Characteristics 460 V, 60 Hz, 7.5 HP

% of Rated Load	25	50	75	100	125	150	S.F.
Power Factor	57	80	87	91	93	93	92
Efficiency	82.2	88.2	89.5	89.4	88.4	86.4	88.8
Speed	3572	3543	3513	3479	3443	3404	3457
Line amperes	3.68	4.98	6.72	8.63	10.7	13.1	9.87

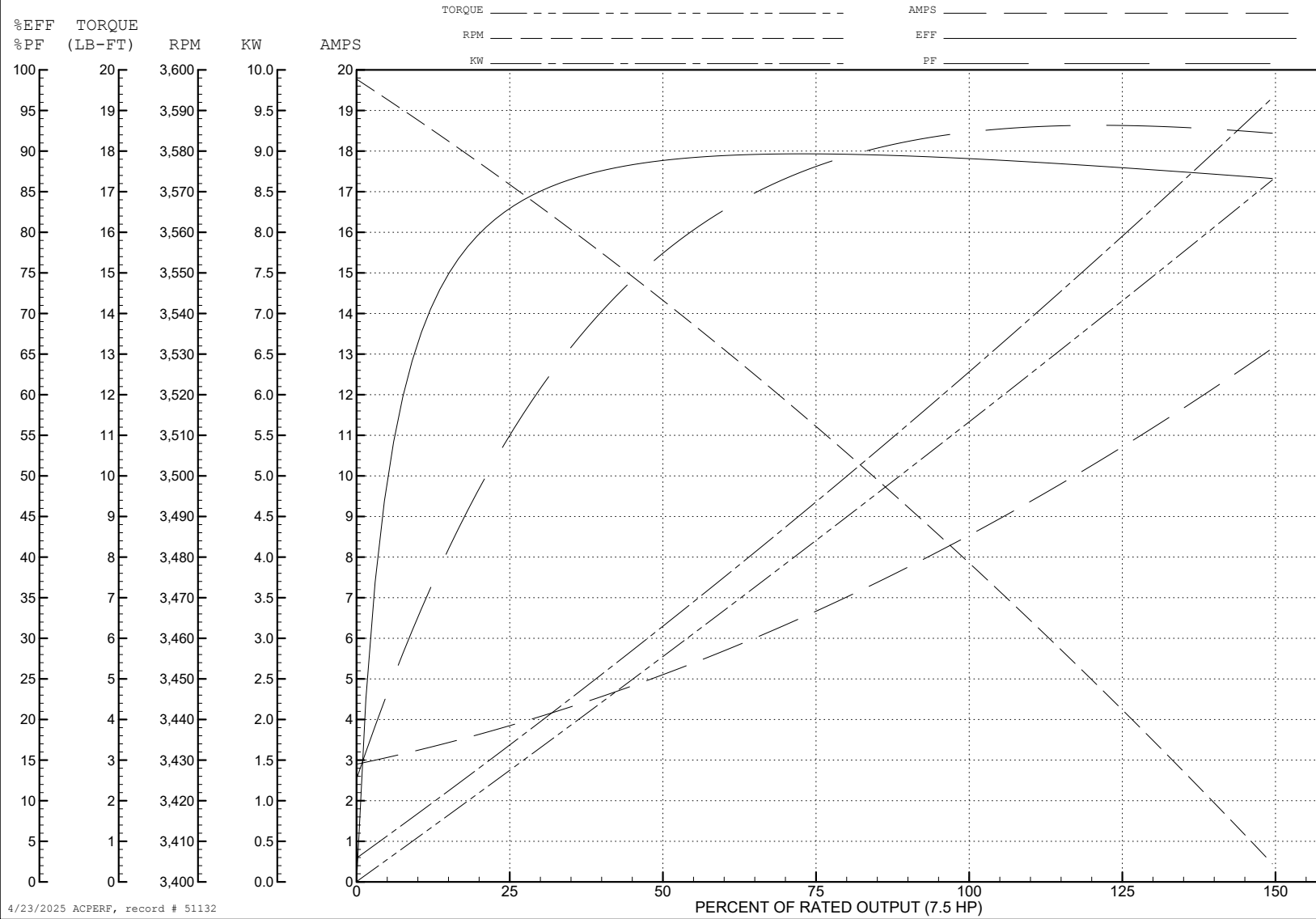
ABB Motors and Mechanical Inc.

WINDING # 36WGS516

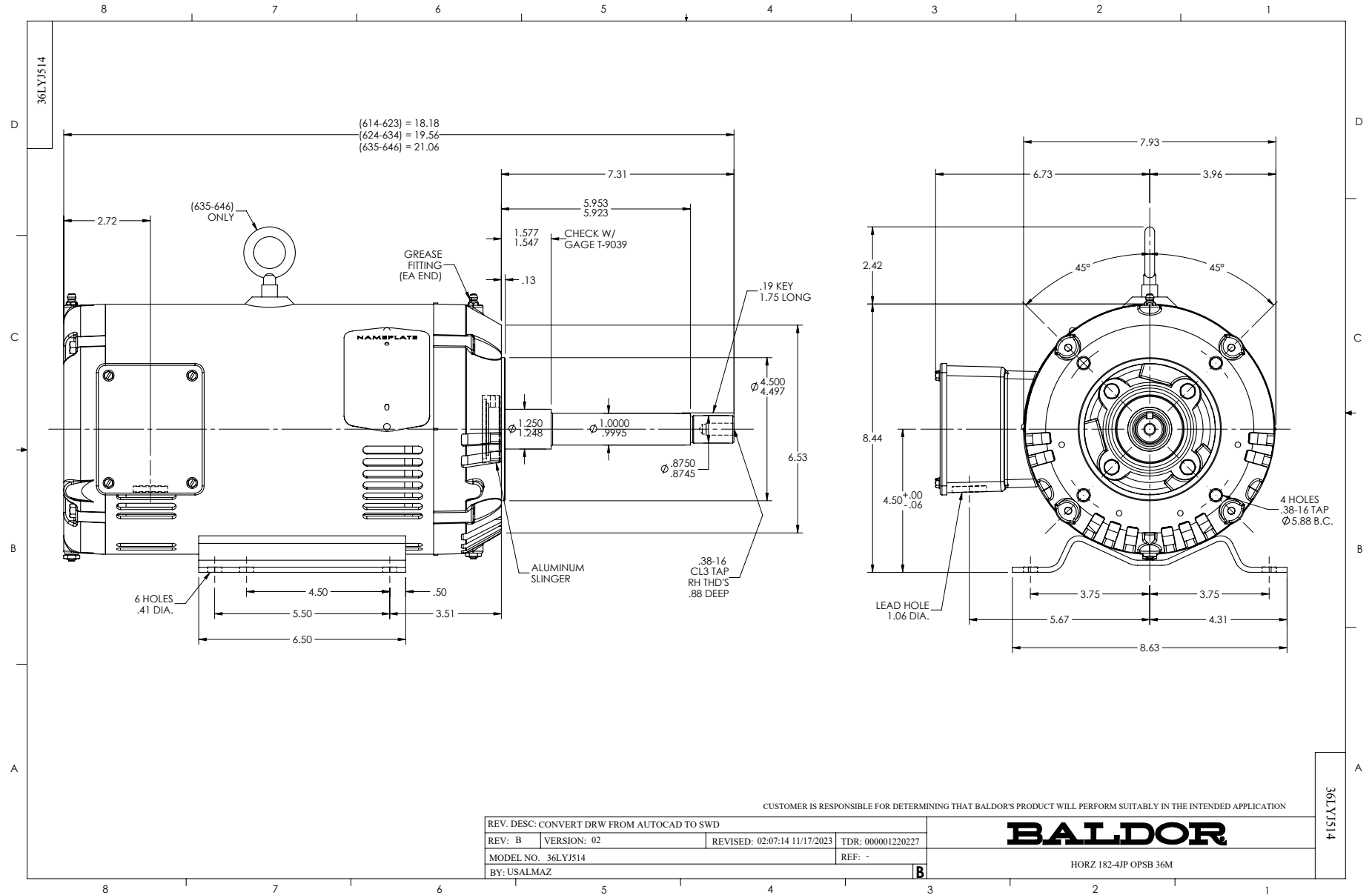
7.5 HP 3 PH 60 HZ 3450 RPM 460 V 3632M

Typical performance - not guaranteed values.

TORQUES (LB-FT): PO=55.2 PU=37 LR=42.6 LRA=86.3



4/23/2025 ACPERF, record # 51132



CD0005

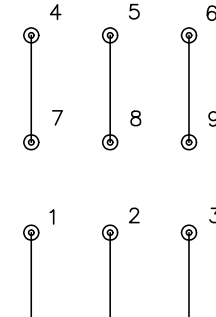


LOW VOLTAGE
(2Y)



LINE

HIGH VOLTAGE
(1Y)



LINE

NOTES:

1. INTERCHANGE ANY TWO LINE LEADS TO REVERSE ROTATION.
2. OPTIONAL THERMOSTATS ARE PROVIDED WHEN SPECIFIED.
3. ACTUAL NUMBER OF INTERNAL PARALLEL CIRCUITS MAY BE A MULTIPLE OF THOSE SHOWN ABOVE.
4. LEAD COLORS ARE OPTIONAL. LEADS MUST ALWAYS BE NUMBERED AS SHOWN.

CD0005

REV. DESC: REVISE TO SHOW OPTIONAL COLORS			
REV. LTR: E	BY: JLP	REVISED: 01/19/99 10:15	TDR: 0171435
S00000		FILE: AAA00005140	MDL: -
		MTL: -	

BALDOR ELECTRIC Co.

3PH, DV, 9 LEADS