

**BALDOR • RELIANCE**

---

# Customer information packet

## EJPM3212T

5HP/3500RPM/3PH/OPSB/NEMA 182JP

Class - None

Division - Not Applicable

## Specifications

Enclosure	OPSB
Frame	182JP
Frame Material	Steel
Frequency	60.00 Hz
Haz Area Class and Group	None
Haz Area Division	Not Applicable
Motor Letter Type	Three Phase
Output @ Frequency	5.000 HP @ 60 HZ
Phase	3
Synchronous Speed @ Frequency	3600 RPM @ 60 HZ
Voltage @ Frequency	230.0 V @ 60 HZ 460.0 V @ 60 HZ
Agency Approvals	CSA CSA EEV NEMA PREMIUM UR
Ambient Temperature	40 °C
Auxiliary Box	NO AUXILLARY BOX
Auxiliary Box Lead Termination	None
Base Indicator	Rigid
Bearing Grease Type	Polyrex EM (-20F +300F)
Blower	None
Current @ Voltage	6.000 A @ 460.0 V 12.800 A @ 208.0 V 12.000 A @ 230.0 V
Design Code	A
Drip Cover	No Drip Cover
Duty Rating	CONT
Efficiency @ 100% Load	86.5 %
Electrically Isolated Bearing	Not Electrically Isolated
Feedback Device	NO FEEDBACK
Front Face Code	Standard

## Part detail

Revision	N
Type	AC
Mech. spec.	36J514
Base	
Status	PRD/A
Elec. spec.	36WGS040
Layout	36LYJ514
Eff. date	01-07-2026
CD Diagram	CD0005
Poles	02
Leads	9#16
Proprietary	False
Created date	05-28-2015

Front Shaft Indicator	None
Heater Indicator	No Heater
High Voltage Full Load Amps	6.0 a
Insulation Class	F
Inverter Code	Inverter Ready
KVA Code	K
Lifting Lugs	No Lifting Lugs
Locked Bearing Indicator	Locked Bearing
Motor Lead Exit	Ko Box
Motor Lead Quantity/Wire Size	9 @ 16 AWG
Motor Lead Termination	Flying Leads
Motor Standards	NEMA
Motor Type	3622M
Mounting Arrangement	F1
Number of Poles	2
Overall Length	18.18 IN
Power Factor	91
Product Family	General Purpose
Pulley End Bearing Type	Ball
Pulley Face Code	C-Face
Pulley Shaft Indicator	Tapped & Key
Rodent Screen	Included
RoHS Status	ROHS COMPLIANT
Service Factor	1.15
Shaft Diameter	0.875 IN
Shaft Extension Location	Pulley End
Shaft Ground Indicator	No Shaft Grounding
Shaft Rotation	Reversible
Shaft Slinger Indicator	Shaft Slinger
Speed	3450 rpm
Speed Code	Single Speed
Starting Method	Direct on line
Thermal Device - Bearing	None
Thermal Device - Winding	None

<b>Vibration Sensor Indicator</b>	<b>No Vibration Sensor</b>
<b>Winding Thermal 1</b>	None
<b>Winding Thermal 2</b>	None

**Nameplate**

<b>NP3553LUA</b>									
<b>CAT.NO.</b>	EJPM3212T								
<b>SPEC.</b>	36J514S040G2								
<b>HP</b>	5								
<b>VOLTS</b>	230/460								
<b>AMPS</b>	12/6								
<b>RPM</b>	3450								
<b>FRAME</b>	182JP		<b>HZ</b>	60		<b>PH</b>	3		
<b>SF</b>	1.15	<b>CODE</b>	K	<b>DES</b>	A	<b>CLASS</b>	F		
<b>NEMA NOM. EFF</b>	86.5	<b>PF</b>	91						
<b>RATING</b>	40C AMB-CONT								
<b>CC</b>	010A								
<b>ENCL</b>	OPSB	<b>SN</b>							
<b>DE</b>	6207	<b>ODE</b>	6205						
<b>VPWM INVERTER READY</b>									
<b>CT30-60(2:1) VT3-60(20:1)</b>									
<b>USABLE AT</b>	50Hz 5HP 190/380V 14.6/7.3A							SF1.0	

**AC Induction Motor Performance Data**

Record # 53354

Typical performance - not guaranteed values

Winding: 36WGS040-R014		Type: 3622M	Enclosure: OPSB		
<b>Nameplate Data</b>			<b>460 V, 60 Hz: High Voltage Connection</b>		
Rated Output (HP)	5	Full Load Torque	7.66 LB-FT		
Volts	230/460	Start Configuration	direct on line		
Full Load Amps	12/6	Breakdown Torque	29.99 LB-FT		
R.P.M.	3450	Pull-up Torque	17.89 LB-FT		
Hz	60 Phase	3	Locked-rotor Torque	22.24 LB-FT	
NEMA Design Code	A	KVA Code	K	Starting Current	49.63 A
Service Factor (S.F.)	1.15	No-load Current	1.99 A		
NEMA Nom. Eff.	86.5	Power Factor	91	Line-line Res. @ 25°C	3.07 Ω
Rating - Duty	40C	AMB-CONT	Temp. Rise @ Rated Load		34°C
S.F. Amps			Temp. Rise @ S.F. Load		42°C
			Locked-rotor Power Factor	49.2	
			Rotor inertia	0.0988 LB-FT <sup>2</sup>	

**Load Characteristics 460 V, 60 Hz, 5 HP**

% of Rated Load	25	50	75	100	125	150	S.F.
Power Factor	61	79	87	90	92	93	92
Efficiency	81.4	86.5	87.6	86.6	85.3	83.5	86.1
Speed	3566	3535	3503	3465	3423	3379	3445
Line amperes	2.5	3.49	4.68	6.06	7.56	9.15	6.91

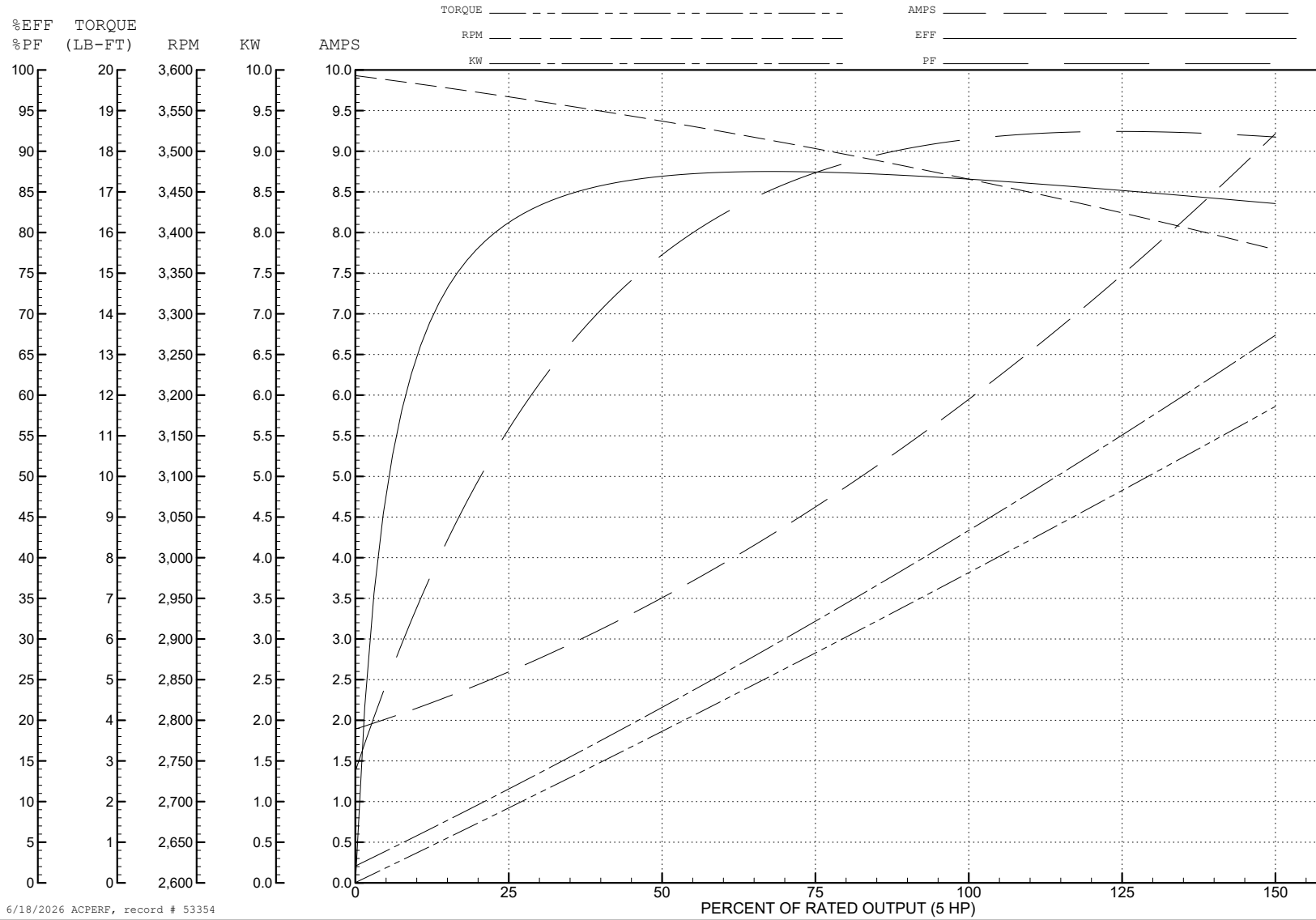
ABB Motors and Mechanical Inc.

WINDING # 36WGS040

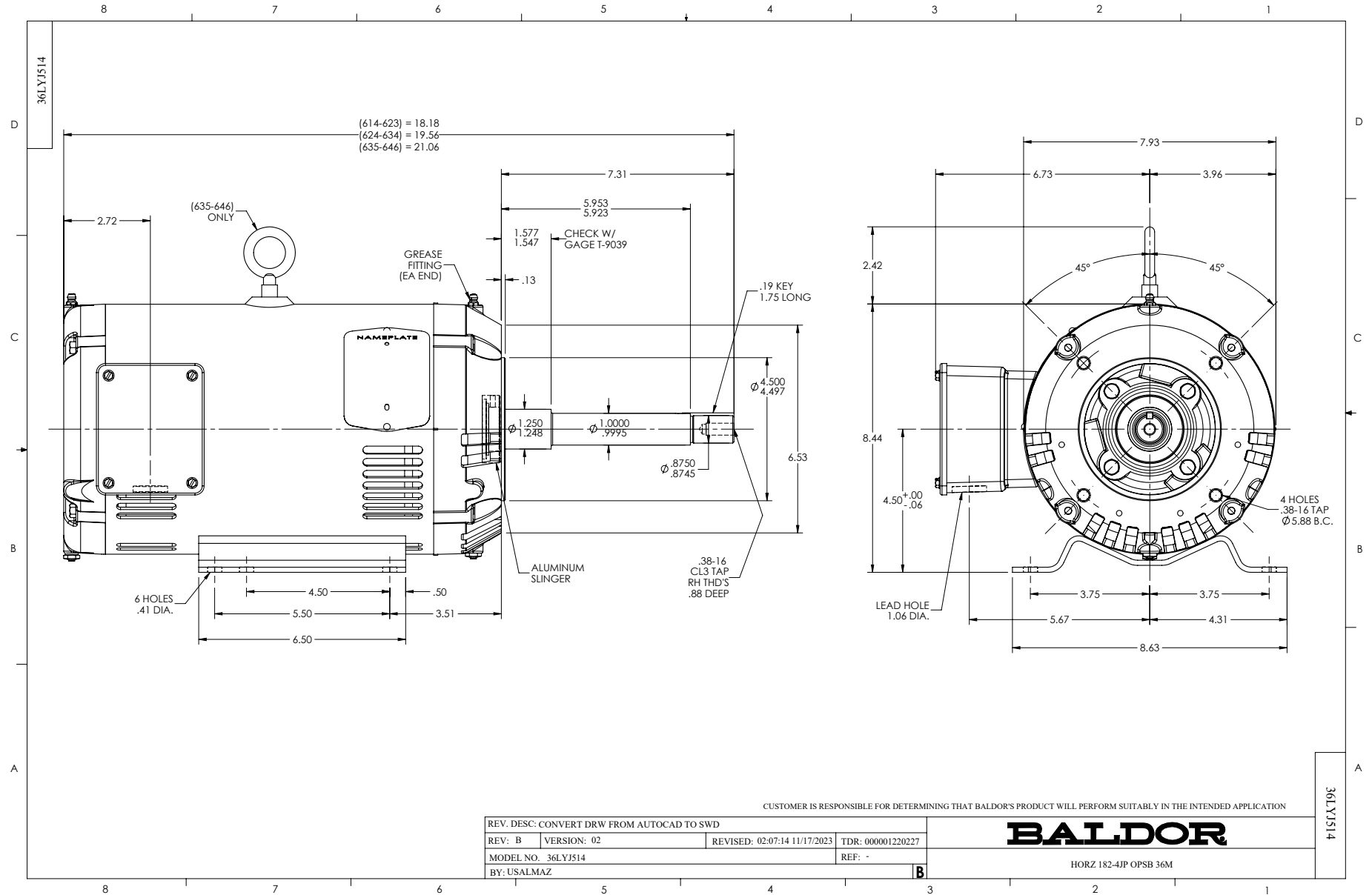
5 HP 3 PH 60 HZ 3450 RPM 460 V 3622M

Typical performance - not guaranteed values.

TORQUES (LB-FT): PO=29.99 PU=17.89 LR=22.24 LRA=49.63



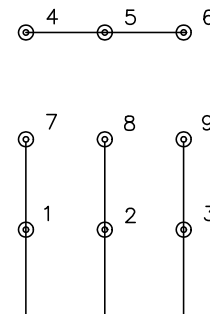
6/18/2026 ACPERF, record # 53354



CD0005

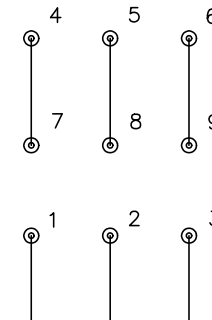


LOW VOLTAGE  
(2Y)



LINE

HIGH VOLTAGE  
(1Y)



LINE

NOTES:

1. INTERCHANGE ANY TWO LINE LEADS TO REVERSE ROTATION.
2. OPTIONAL THERMOSTATS ARE PROVIDED WHEN SPECIFIED.
3. ACTUAL NUMBER OF INTERNAL PARALLEL CIRCUITS MAY BE A MULTIPLE OF THOSE SHOWN ABOVE.
4. LEAD COLORS ARE OPTIONAL. LEADS MUST ALWAYS BE NUMBERED AS SHOWN.

REV. DESC: REVISE TO SHOW OPTIONAL COLORS			
REV. LTR: E	BY: JLP	REVISED: 01/19/99 10:15	TDR: 0171435
S00000		FILE: AAA00005140	MDL: -
		MTL: -	

**BALDOR ELECTRIC Co.**

3PH, DV, 9 LEADS

CD0005