

ABB BALDOR RELIANCE III

Customer information packet

EJPM3211T

3HP, 1760RPM, 3PH, 60HZ, 182JP, 3628M, OPSB, F1

Class - None

Division - Not Applicable

Specifications

Enclosure	OPSB
Frame	182JP
Frame Material	Steel
Frequency	60.00 Hz
Haz Area Class and Group	None
Haz Area Division	Not Applicable
Motor Letter Type	Three Phase
Output @ Frequency	3.000 HP @ 60 HZ
Phase	3
Synchronous Speed @ Frequency	1800 RPM @ 60 HZ
Voltage @ Frequency	230.0 V @ 60 HZ 460.0 V @ 60 HZ
Agency Approvals	CURUSEEV NEMA PREMIUM
Ambient Temperature	40 °C
Auxiliary Box	NO AUXILLARY BOX
Auxiliary Box Lead Termination	None
Base Indicator	Rigid
Bearing Grease Type	Polyrex EM (-20F +300F)
Blower	None
Current @ Voltage	4.300 A @ 460.0 V 8.500 A @ 208.0 V 8.600 A @ 230.0 V
Design Code	B
Drip Cover	No Drip Cover
Duty Rating	CONT
Efficiency @ 100% Load	89.5 %
Electrically Isolated Bearing	Not Electrically Isolated
Feedback Device	NO FEEDBACK
Front Shaft Indicator	None
Heater Indicator	No Heater
High Voltage Full Load Amps	4.3 a

Part Detail

Revision	A
Type	AC
Mech. spec.	36J514
Base	
Status	PRD/A
Elec. spec.	36WGZ649
Layout	36LYJ514
Eff. date	01-07-2026
CD Diagram	CD0005
Poles	04
Leads	9#16
Proprietary	False
Created date	11-05-2025

Insulation Class	F
Inverter Code	Inverter Ready
KVA Code	K
Lifting Lugs	No Lifting Lugs
Locked Bearing Indicator	Locked Bearing
Motor Lead Quantity/Wire Size	9 @ 16 AWG
Motor Lead Termination	Flying Leads
Motor Standards	NEMA
Motor Type	3628M
Mounting Arrangement	F1
Number of Poles	4
Overall Length	19.56 IN
Power Factor	78
Product Family	General Purpose
Pulley End Bearing Type	Ball
Pulley Face Code	C-Face
Pulley Shaft Indicator	Tapped & Key
Rodent Screen	Included
Service Factor	1.15
Shaft Diameter	0.875 IN
Shaft Ground Indicator	No Shaft Grounding
Shaft Rotation	Reversible
Shaft Slinger Indicator	No Slinger
Speed	1760 rpm
Speed Code	Single Speed
Starting Method	Direct on line
Thermal Device - Bearing	None
Thermal Device - Winding	None
Vibration Sensor Indicator	No Vibration Sensor
Winding Thermal 1	None
Winding Thermal 2	None

Nameplate

NP3553LUA									
CAT.NO.	EJPM3211T								
SPEC.	36J514Z649								
HP	3								
VOLTS	230/460								
AMPS	8.6/4.3								
RPM	1760								
FRAME	182JP	HZ	60	PH	3				
SF	1.15	CODE	K	DES	B	CLASS	F		
NEMA NOM. EFF	89.5	PF	78						
RATING	40C AMB-CONT								
CC	010A								
ENCL	OPSB	SN							
DE	6207	ODE	6205						
VPWM INVERTER READY	SFA 9.6/4.8								
CT30-60(2:1) VT3-60(20:1)									
USABLE AT	50HZ 3HP 190/380V 9.8/4.9A								SF1.0

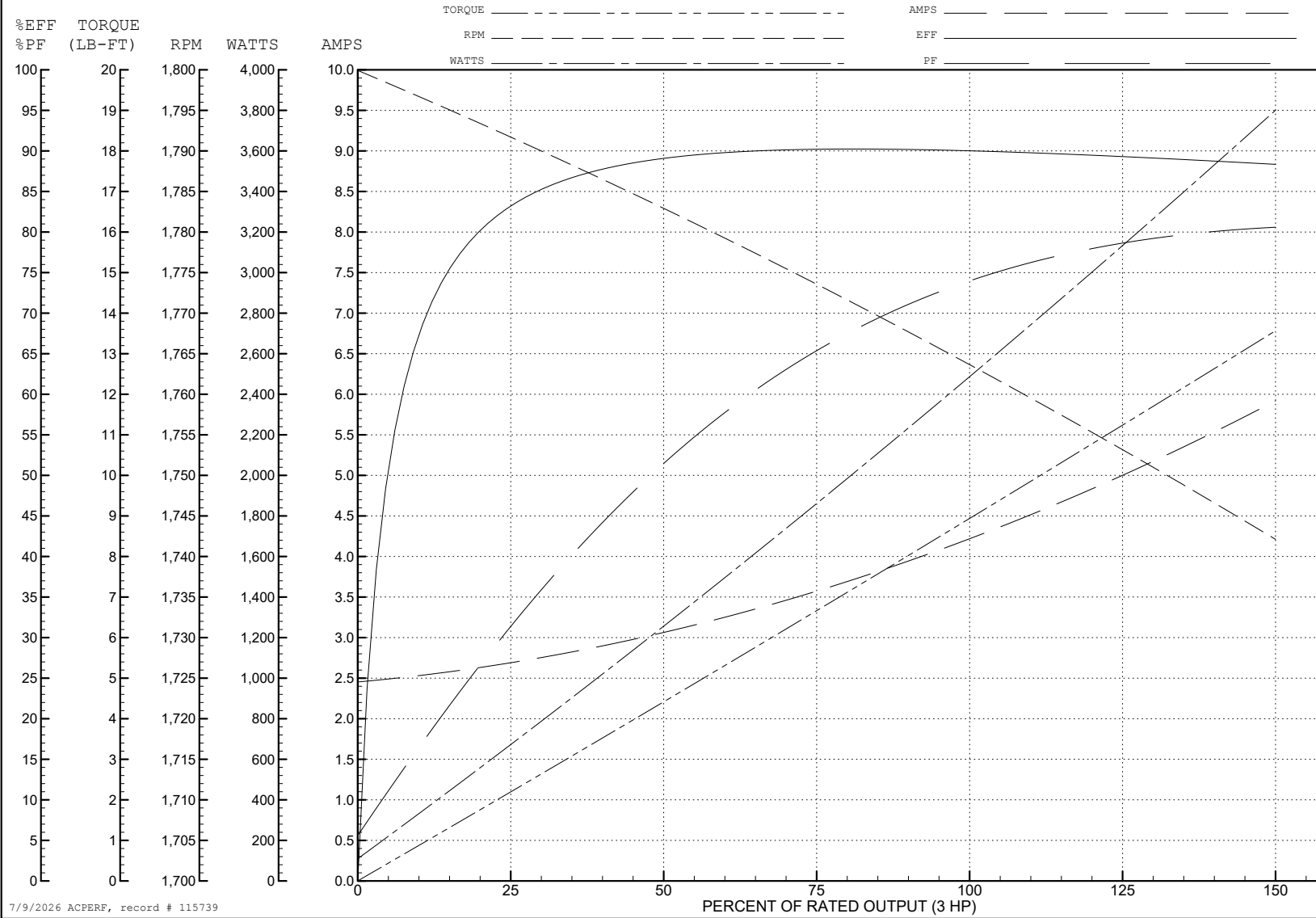
ABB Motors and Mechanical Inc.

WINDING # 36WGZ649

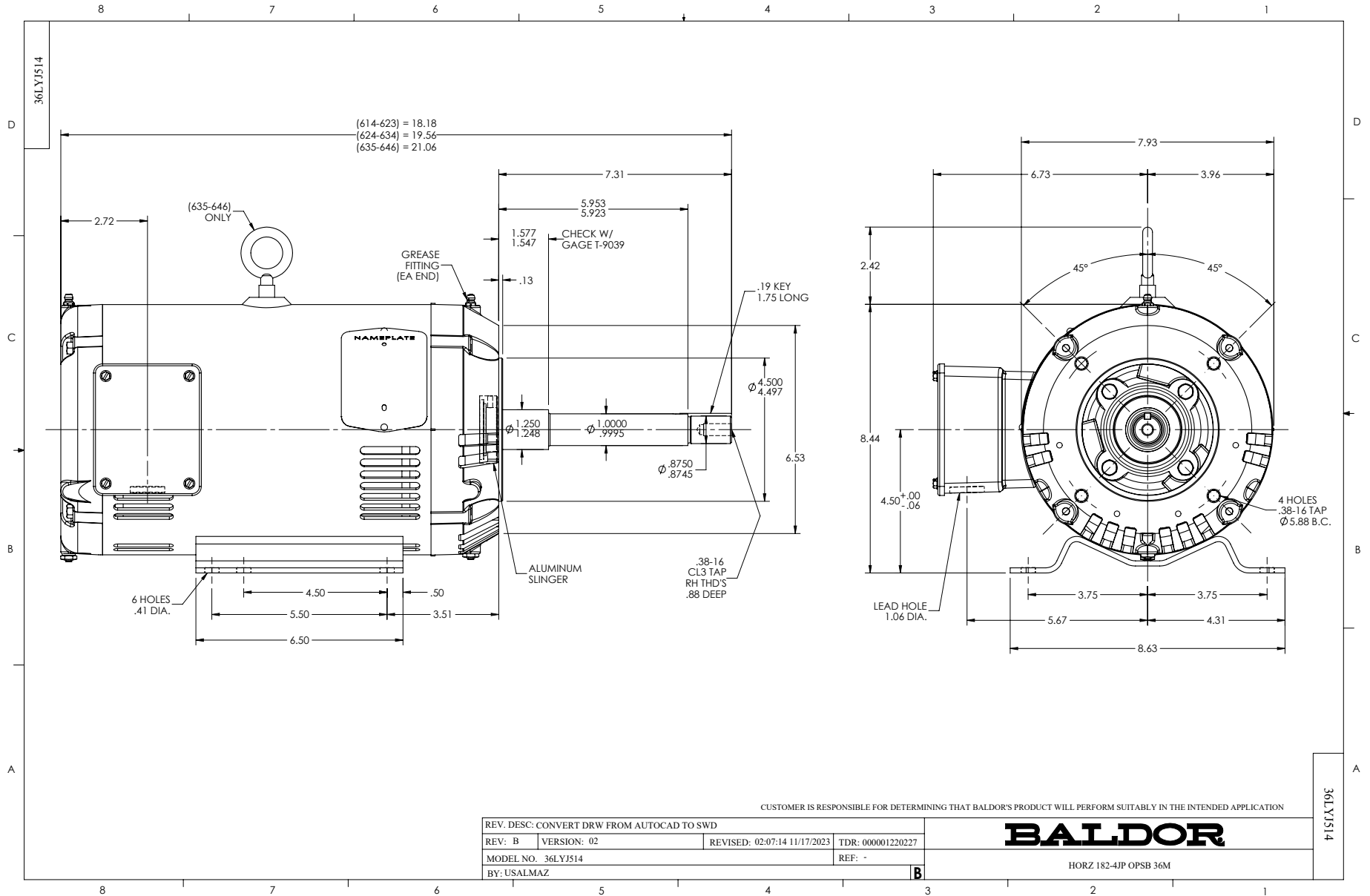
3 HP 3 PH 60 HZ 1760 RPM 460 V 3628M

Typical performance - not guaranteed values.

TORQUES (LB-FT): PO=35.1 PU=19.1 LR=21.2 LRA=30.9



7/9/2026 ACPERF, record # 115739



CD0005



LOW VOLTAGE
(2Y)



LINE

HIGH VOLTAGE
(1Y)



LINE

NOTES:

1. INTERCHANGE ANY TWO LINE LEADS TO REVERSE ROTATION.
2. OPTIONAL THERMOSTATS ARE PROVIDED WHEN SPECIFIED.
3. ACTUAL NUMBER OF INTERNAL PARALLEL CIRCUITS MAY BE A MULTIPLE OF THOSE SHOWN ABOVE.
4. LEAD COLORS ARE OPTIONAL. LEADS MUST ALWAYS BE NUMBERED AS SHOWN.

CD0005

REV. DESC: REVISE TO SHOW OPTIONAL COLORS			
REV. LTR: E	BY: JLP	REVISED: 01/19/99 10:15	TDR: 0171435
S00000		FILE: AAA00005140	MDL: -
		MTL: -	

BALDOR ELECTRIC Co.

3PH, DV, 9 LEADS