

# ABB BALDOR RELIANCE III

---

## Customer information packet EJPM2547T

60HP, 1775RPM, 3PH, 60HZ, 364JP, 4278M, OPSB, F

**Specifications**

<b>Enclosure</b>	OPSB
<b>Frame</b>	364JP
<b>Frame Material</b>	Steel
<b>Frequency</b>	60.00 Hz
<b>Motor Letter Type</b>	Three Phase
<b>Output @ Frequency</b>	60.000 HP @ 60 HZ
<b>Phase</b>	3
<b>Synchronous Speed @ Frequency</b>	1800 RPM @ 60 HZ
<b>Voltage @ Frequency</b>	460.0 V @ 60 HZ 230.0 V @ 60 HZ
<b>Agency Approvals</b>	CSA CSA EEV NEMA PREMIUM UR
<b>Ambient Temperature</b>	40 °C
<b>Auxiliary Box</b>	NO AUXILLARY BOX
<b>Auxiliary Box Lead Termination</b>	None
<b>Base Indicator</b>	Rigid
<b>Bearing Grease Type</b>	Polyrex EM (-20F +300F)
<b>Blower</b>	None
<b>Current @ Voltage</b>	68.000 A @ 460.0 V 144.000 A @ 208.0 V 136.000 A @ 230.0 V
<b>Design Code</b>	A
<b>Drip Cover</b>	No Drip Cover
<b>Duty Rating</b>	CONT
<b>Efficiency @ 100% Load</b>	95.0 %
<b>Electrically Isolated Bearing</b>	Not Electrically Isolated
<b>Feedback Device</b>	NO FEEDBACK
<b>Front Face Code</b>	Standard
<b>Front Shaft Indicator</b>	None
<b>Heater Indicator</b>	No Heater

**Part Detail**

<b>Revision</b>	M
<b>Type</b>	AC
<b>Mech. spec.</b>	42G038
<b>Base</b>	
<b>Status</b>	PRD/A
<b>Elec. spec.</b>	42WGW587
<b>Layout</b>	42LYG038
<b>Eff. date</b>	05-29-2025
<b>CD Diagram</b>	CD0180
<b>Poles</b>	04
<b>Leads</b>	9#4
<b>Proprietary</b>	False
<b>Created date</b>	06-05-2015

<b>High Voltage Full Load Amps</b>	68.0 a
<b>Insulation Class</b>	F
<b>Inverter Code</b>	Inverter Ready
<b>KVA Code</b>	G
<b>Lifting Lugs</b>	Standard Lifting Lugs
<b>Locked Bearing Indicator</b>	Locked Bearing
<b>Motor Lead Exit</b>	Ko Box
<b>Motor Lead Quantity/Wire Size</b>	9 @ 6 AWG
<b>Motor Lead Termination</b>	Flying Leads
<b>Motor Standards</b>	NEMA
<b>Motor Type</b>	4278M
<b>Mounting Arrangement</b>	F1
<b>Number of Poles</b>	4
<b>Overall Length</b>	33.19 IN
<b>Power Factor</b>	87
<b>Product Family</b>	General Purpose
<b>Pulley End Bearing Type</b>	Ball
<b>Pulley Face Code</b>	C-Face
<b>Pulley Shaft Indicator</b>	Tapped & Key
<b>Rodent Screen</b>	Included
<b>Service Factor</b>	1.15
<b>Shaft Diameter</b>	1.577 IN
<b>Shaft Extension Location</b>	Pulley End
<b>Shaft Ground Indicator</b>	No Shaft Grounding
<b>Shaft Rotation</b>	Reversible
<b>Shaft Slinger Indicator</b>	Shaft Slinger
<b>Speed</b>	1775 rpm
<b>Speed Code</b>	Single Speed
<b>Starting Method</b>	Direct on line
<b>Thermal Device - Bearing</b>	None
<b>Thermal Device - Winding</b>	None
<b>Vibration Sensor Indicator</b>	No Vibration Sensor
<b>Winding Thermal 1</b>	None
<b>Winding Thermal 2</b>	None

**Nameplate**

<b>NP2138LUA</b>											
<b>CAT.NO.</b>	EJPM2547T			<b>P/N</b>				<b>ENCLOSURE</b>	OPSB		
<b>SPEC.</b>	42G038W587G5	<b>CC</b>	010A	<b>FRAME</b>	364JP			<b>S/N</b>			
<b>HP</b>	60			<b>CLASS</b>	F	<b>HZ</b>	60				
<b>RPM</b>	1775			<b>PH</b>	3	<b>DES</b>	A				
<b>VOLT</b>	230/460			<b>KVA-CODE</b>	H		<b>ODE BRG</b>	6311	<b>DE BRG</b>	6313	
<b>AMP</b>	138/69										
<b>RATING</b>	40C AMB-CONT			<b>GREASE</b>	POLYREX EM						
<b>NEMA-NOM-EFF</b>	95	<b>PF</b>	86	<b>SER.F.</b>	1.15						
	50HZ 60HP 190/380V 162/81A						SF1.0				
<b>HTR-VOLTS</b>	<b>HTR-AMPS</b>										

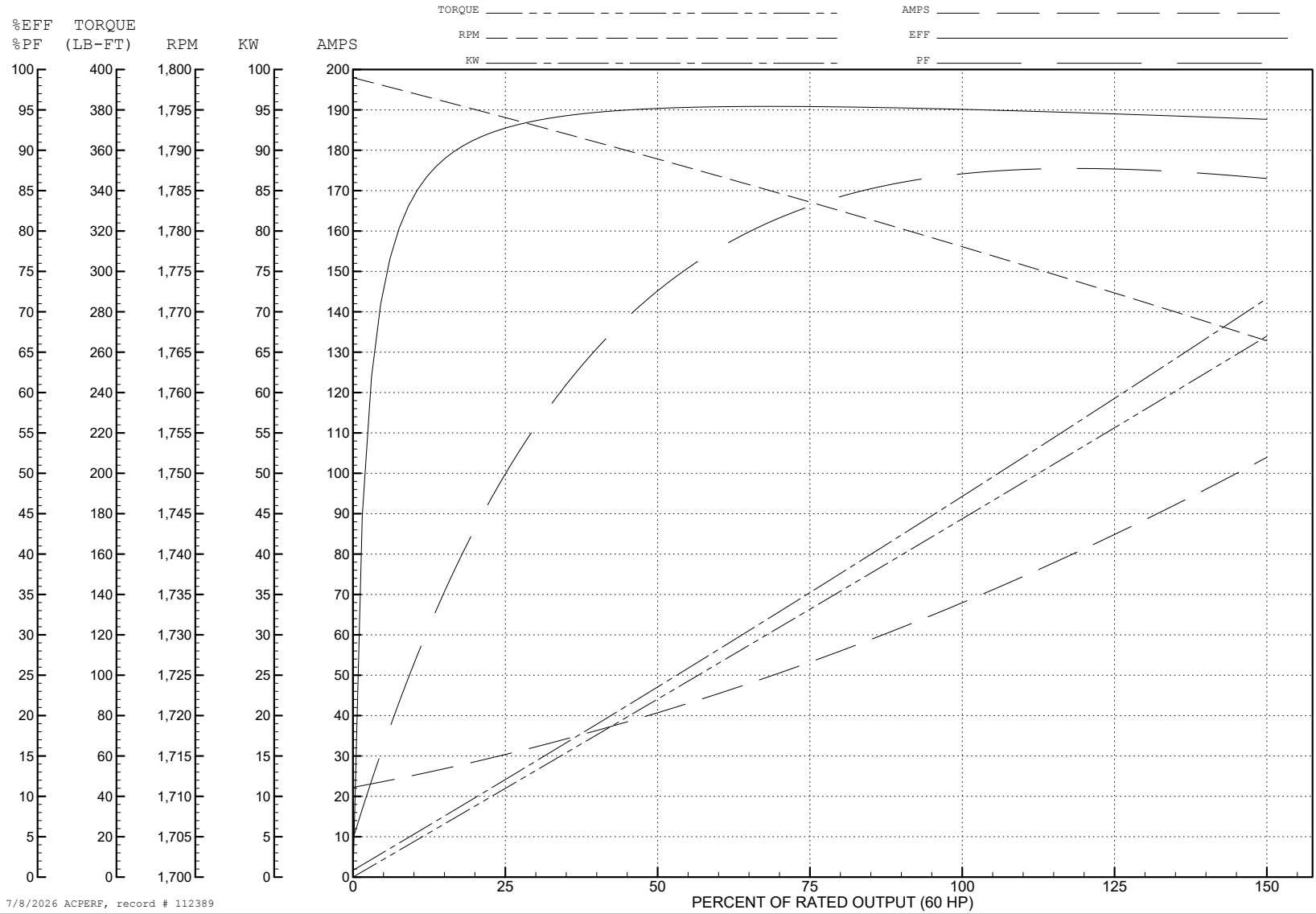
ABB Motors and Mechanical Inc.

WINDING # 42WGW587

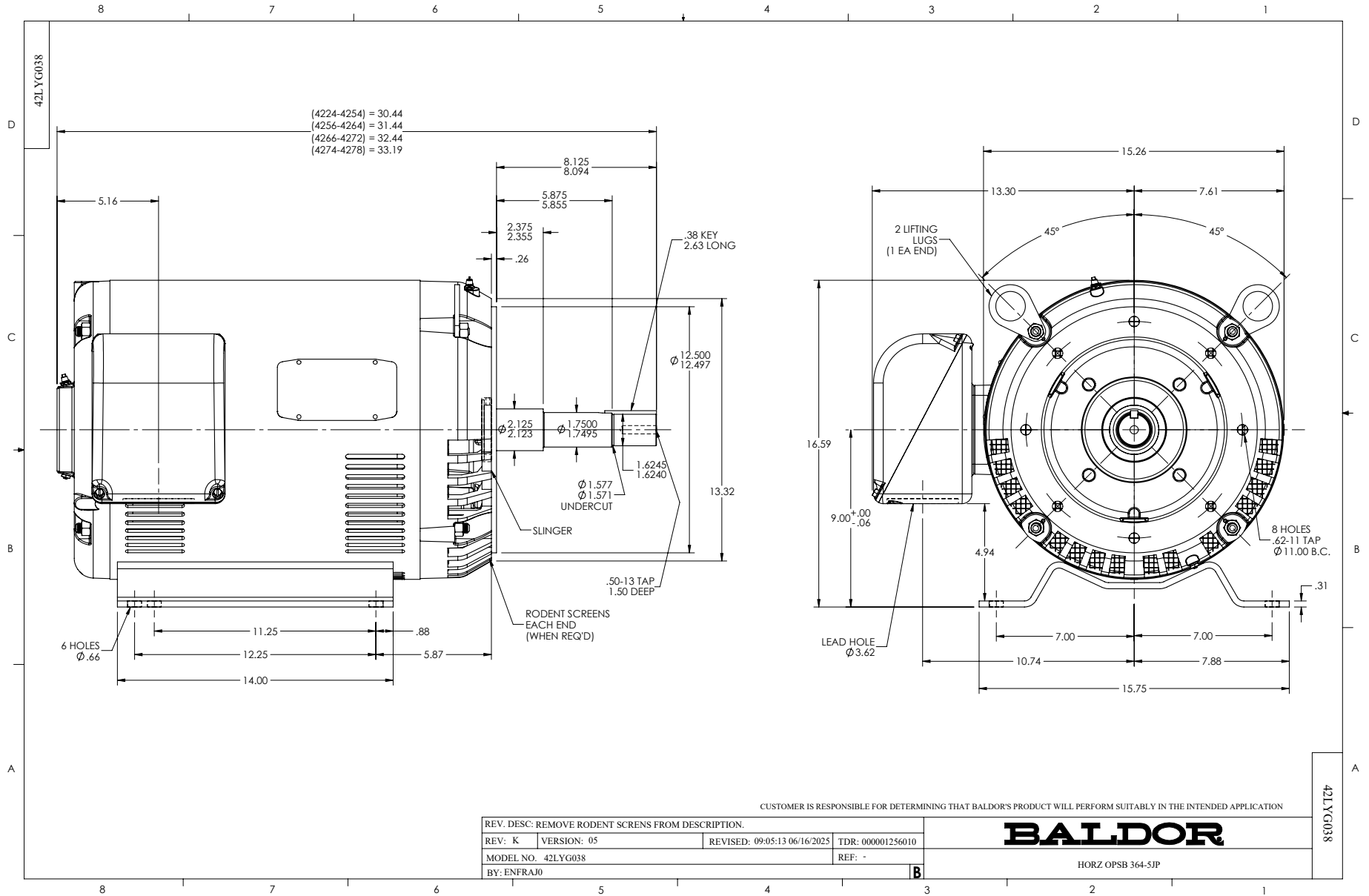
Typical performance - not guaranteed values.

60 HP 3 PH 60 HZ 1775 RPM 460 V 4278M

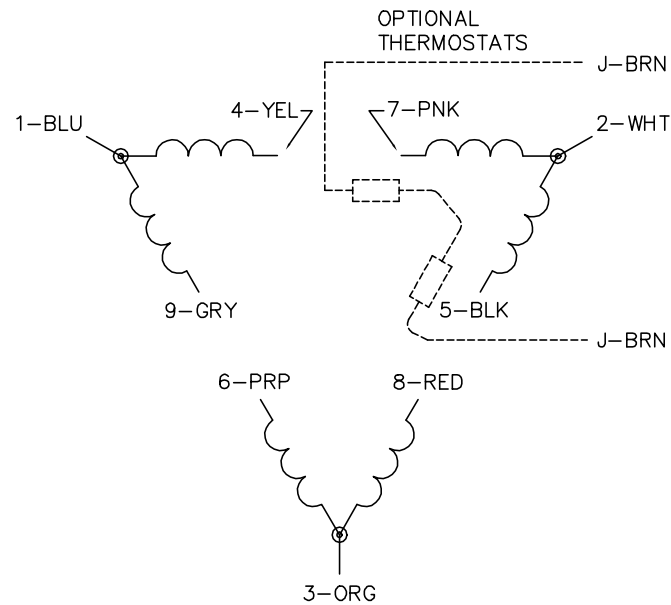
TORQUES (LB-FT): PO=555 PU=269 LR=294 LRA=488



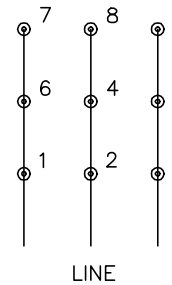
7/8/2026 ACPERF, record # 112389



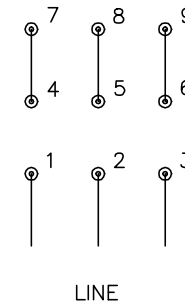
CD0180



LOW VOLTAGE  
(2D)



HIGH VOLTAGE  
(1D)



NOTES:

1. INTERCHANGE ANY TWO LINE LEADS TO REVERSE ROTATION.
2. OPTIONAL THERMOSTATS ARE PROVIDED WHEN SPECIFIED.
3. ACTUAL NUMBER OF INTERNAL PARALLEL CIRCUITS MAY BE A MULTIPLE OF THOSE SHOWN ABOVE.
4. LEAD COLORS ARE OPTIONAL. LEADS MUST ALWAYS BE NUMBERED AS SHOWN.

CD0180

REV. DESC: ADD CLASS CONN00000007		
REV. LTR: D	VERSION: 01	TDR: 000001099922
FILE: \AAA\00005\148	REVISED: 10: 25: 29 02/19/2019	BY: ENBRIRO
MTL: -	© □	

**BALDOR - RELIANCE®**

3PH, DV, 9 LEADS, DELTA CONNECTION

SH 1 of 1