

ABB BALDOR RELIANCE III

Customer information packet EJPM2543T

50HP, 1775RPM, 3PH, 60HZ, 326JP, 4256M, OPSB, F

Specifications

Enclosure	OPSB
Frame	326JP
Frame Material	Steel
Frequency	60.00 Hz
Motor Letter Type	Three Phase
Output @ Frequency	50.000 HP @ 60 HZ
Phase	3
Synchronous Speed @ Frequency	1800 RPM @ 60 HZ
Voltage @ Frequency	230.0 V @ 60 HZ 460.0 V @ 60 HZ
Agency Approvals	CSA CSA EEV NEMA PREMIUM UR
Ambient Temperature	40 °C
Auxiliary Box	NO AUXILLARY BOX
Auxiliary Box Lead Termination	None
Base Indicator	Rigid
Bearing Grease Type	Polyrex EM (-20F +300F)
Blower	None
Current @ Voltage	114.000 A @ 230.0 V 121.000 A @ 208.0 V 57.000 A @ 460.0 V
Design Code	A
Drip Cover	No Drip Cover
Duty Rating	CONT
Efficiency @ 100% Load	94.5 %
Electrically Isolated Bearing	Not Electrically Isolated
Feedback Device	NO FEEDBACK
Heater Indicator	No Heater
High Voltage Full Load Amps	57.0 a
Insulation Class	F

Part Detail

Revision	C
Type	AC
Mech. spec.	
Base	
Status	PRD/A
Elec. spec.	42WG387
Layout	42LY-000-047
Eff. date	11-29-2023
CD Diagram	CD0180
Poles	04
Leads	9#8
Proprietary	False
Created date	02-02-2021

Inverter Code	Inverter Ready
KVA Code	G
Lifting Lugs	Standard Lifting Lugs
Locked Bearing Indicator	Locked Bearing
Motor Lead Termination	Flying Leads
Motor Standards	NEMA
Motor Type	4256M
Mounting Arrangement	F1
Number of Poles	4
Overall Length	30.81 IN
Power Factor	87
Product Family	General Purpose
Pulley Face Code	C-Face
Rodent Screen	Included
Service Factor	1.15
Shaft Diameter	1.250 IN
Shaft Ground Indicator	No Shaft Grounding
Shaft Rotation	Reversible
Speed	1775 rpm
Speed Code	Single Speed
Starting Method	Full Voltage
Thermal Device - Bearing	None
Thermal Device - Winding	None
Vibration Sensor Indicator	No Vibration Sensor
Winding Thermal 1	None
Winding Thermal 2	None

Nameplate

NP2138LUA											
CAT.NO.	EJPM2543T		P/N					ENCLOSURE	OPSB		
SPEC.	42-0000-0109	CC	010A	FRAME	326JP	S/N					
HP	50	CLASS	F	HZ	60						
RPM	1775	PH	3	DES	A						
VOLT	230/460	KVA-CODE	G	ODE BRG	6311	DE BRG	6312				
AMP	114/57										
RATING	40C AMB-CONT		GREASE	POLYREX EM							
NEMA-NOM-EFF	94.5	PF	87	SER.F.	1.15						
	50HZ 50HP 190/380V 136/68A				SF1.0						
HTR-VOLTS	HTR-AMPS										

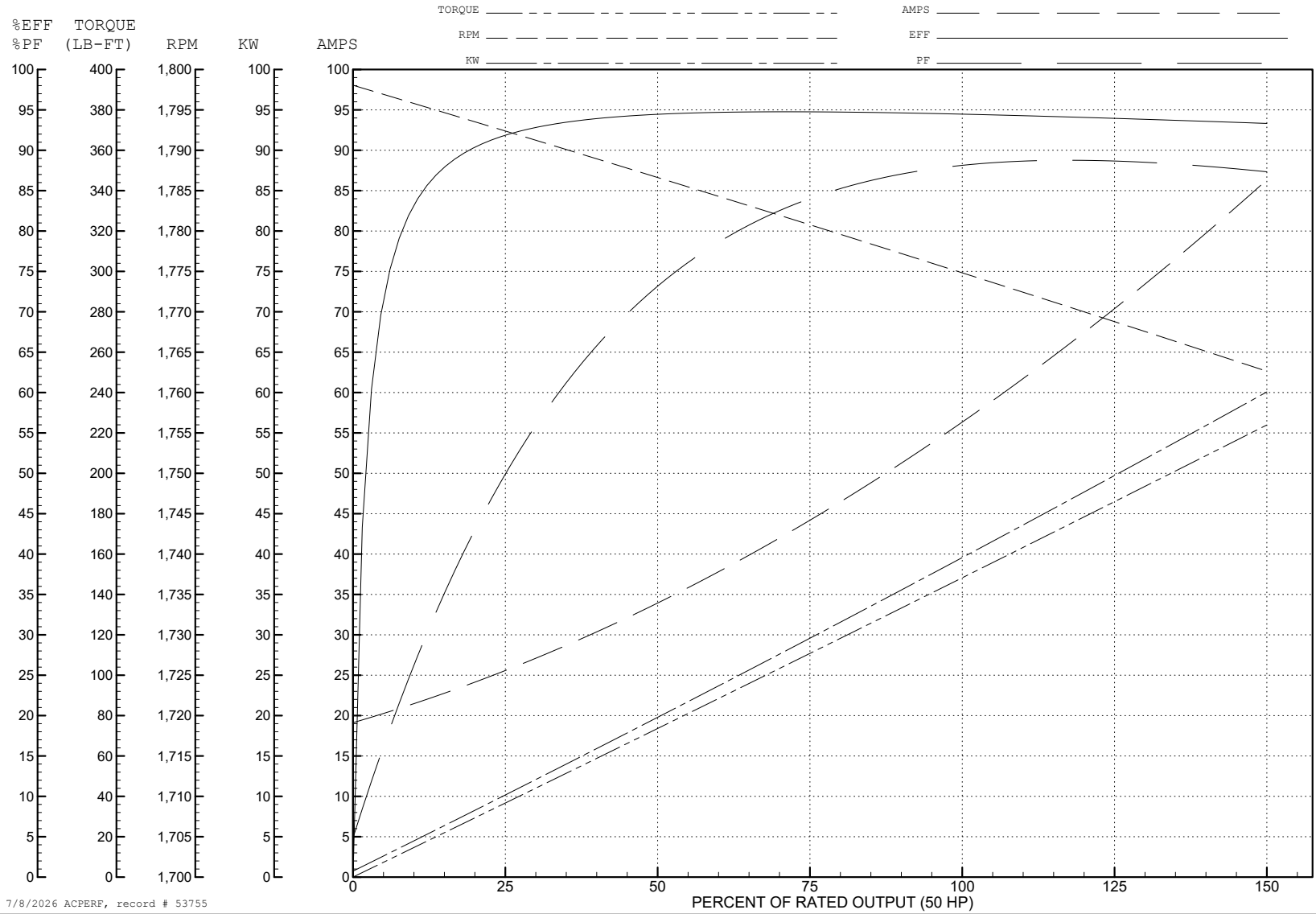
ABB Motors and Mechanical Inc.

WINDING # 42WGW387

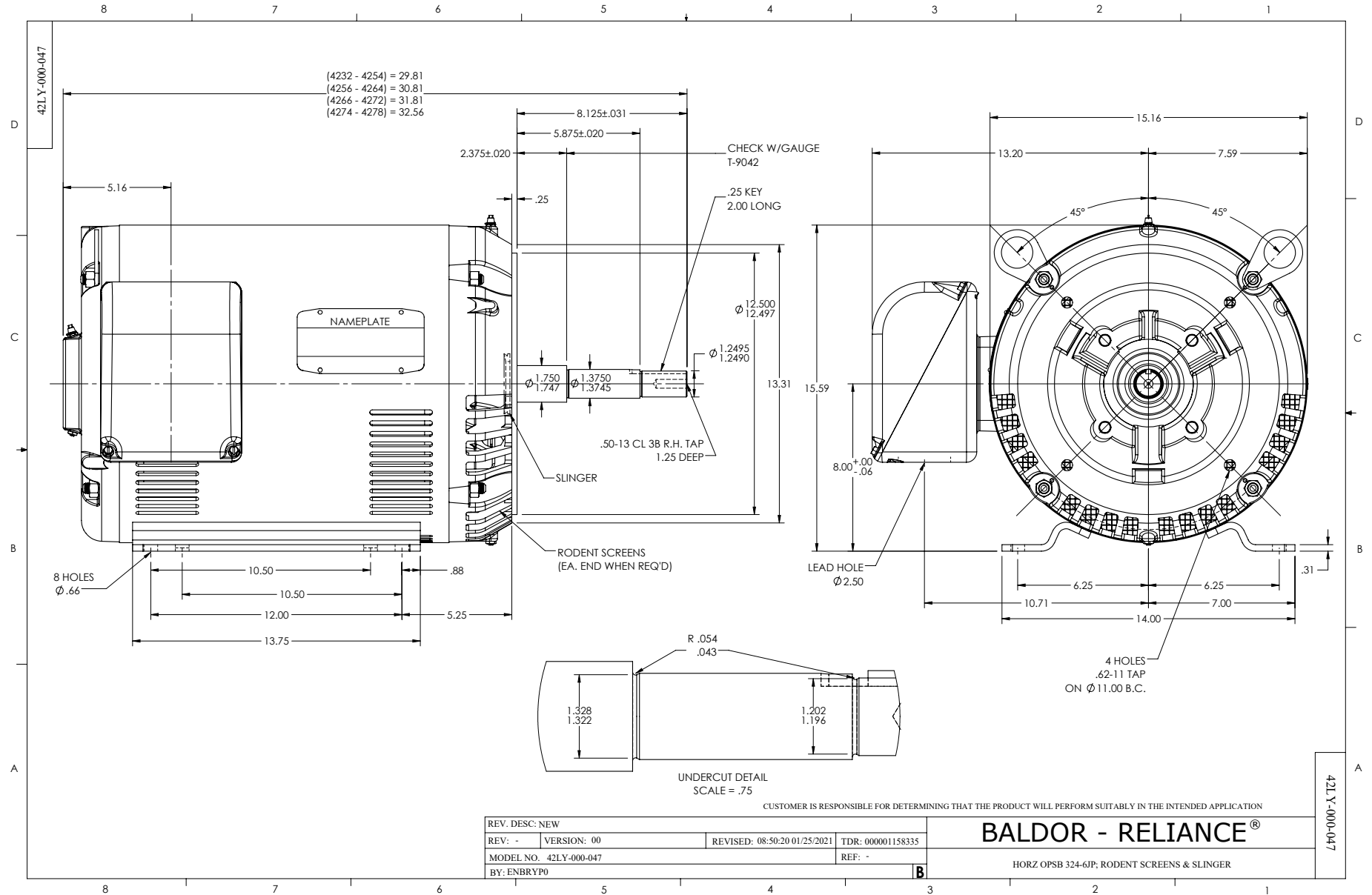
Typical performance - not guaranteed values.

50 HP 3 PH 60 HZ 1775 RPM 460 V 4256M

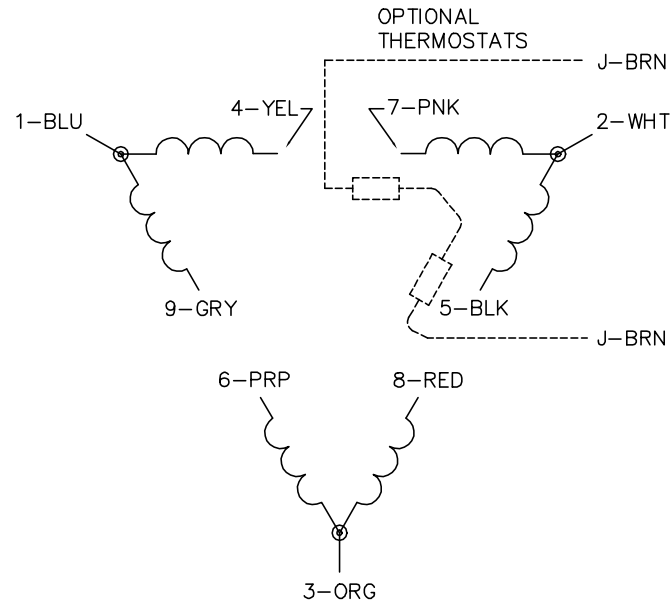
TORQUES (LB-FT): PO=420 PU=217 LR=311 LRA=373



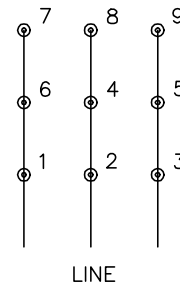
7/8/2026 ACPERF, record # 53755



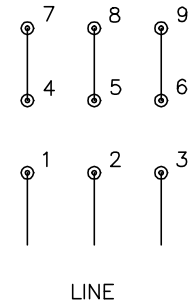
CD0180



LOW VOLTAGE
(2D)



HIGH VOLTAGE
(1D)



NOTES:

1. INTERCHANGE ANY TWO LINE LEADS TO REVERSE ROTATION.
2. OPTIONAL THERMOSTATS ARE PROVIDED WHEN SPECIFIED.
3. ACTUAL NUMBER OF INTERNAL PARALLEL CIRCUITS MAY BE A MULTIPLE OF THOSE SHOWN ABOVE.
4. LEAD COLORS ARE OPTIONAL. LEADS MUST ALWAYS BE NUMBERED AS SHOWN.

CD0180

REV. DESC: ADD CLASS CONN00000007		
REV. LTR: D	VERSION: 01	TDR: 000001099922
FILE: \AAA\00005\148	REVISED: 10: 25: 29 02/19/2019	BY: ENBRIRO
MTL: -	© □	

BALDOR - RELIANCE®

3PH, DV, 9 LEADS, DELTA CONNECTION

SH 1 of 1