

BALDOR • RELIANCE

Customer information packet

EJPM2394T

15HP, 3525RPM, 3PH, 60HZ, 254JP, 0930M, TEFC, F

Class - None

Division - Not Applicable

Specifications

Enclosure	TEFC
Frame	254JP
Frame Material	Iron
Frequency	60.00 Hz
Haz Area Class and Group	None
Haz Area Division	Not Applicable
Motor Letter Type	Three Phase
Output @ Frequency	15.000 HP @ 60 HZ
Phase	3
Synchronous Speed @ Frequency	3600 RPM @ 60 HZ
Voltage @ Frequency	230.0 V @ 60 HZ 460.0 V @ 60 HZ
Agency Approvals	CSA UR NEMA PREMIUM CSA EEV
Ambient Temperature	40 °C
Auxillary Box	No Auxillary Box
Auxillary Box Lead Termination	None
Base Indicator	Rigid
Bearing Grease Type	Polyrex EM (-20F +300F)
Blower	None
Current @ Voltage	18.000 A @ 460.0 V 36.000 A @ 230.0 V 38.000 A @ 208.0 V
Design Code	A
Drip Cover	No Drip Cover
Duty Rating	CONT
Efficiency @ 100% Load	91.0 %
Electrically Isolated Bearing	Not Electrically Isolated
Feedback Device	NO FEEDBACK
Heater Indicator	No Heater

Part detail

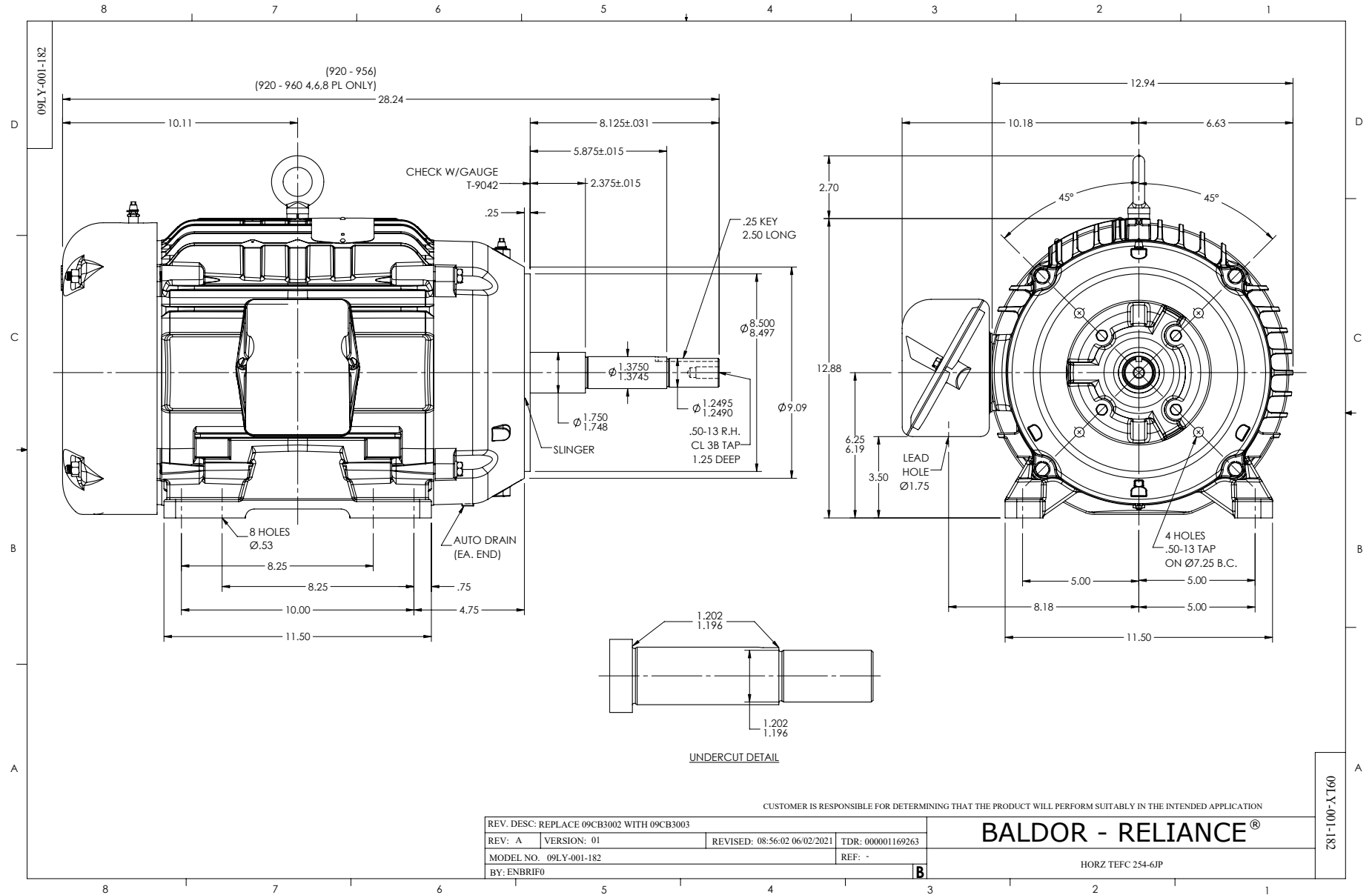
Revision	F
Type	AC
Mech. spec.	
Base	
Status	PRD/A
Elec. spec.	09WGZ587
Layout	09LY-001-182
Eff. date	03-19-2024
CD Diagram	CD0180
Poles	02
Leads	9#12
Proprietary	False
Created date	02-25-2021

High Voltage Full Load Amps	18.0 a
Insulation Class	F
Inverter Code	Inverter Ready
KVA Code	H
Lifting Lugs	Standard Lifting Lugs
Locked Bearing Indicator	Locked Bearing
Motor Lead Termination	Flying Leads
Motor Standards	NEMA
Motor Type	0930M
Mounting Arrangement	F1
Number of Poles	2
Overall Length	28.24 IN
Power Factor	86
Product Family	General Purpose
Pulley Face Code	C-Face
Rodent Screen	None
Service Factor	1.15
Shaft Diameter	1.250 IN
Shaft Ground Indicator	No Shaft Grounding
Shaft Rotation	Reversible
Speed	3525 rpm
Speed Code	Single Speed
Starting Method	Direct on line
Thermal Device - Bearing	None
Thermal Device - Winding	None
Vibration Sensor Indicator	No Vibration Sensor
Winding Thermal 1	None
Winding Thermal 2	None

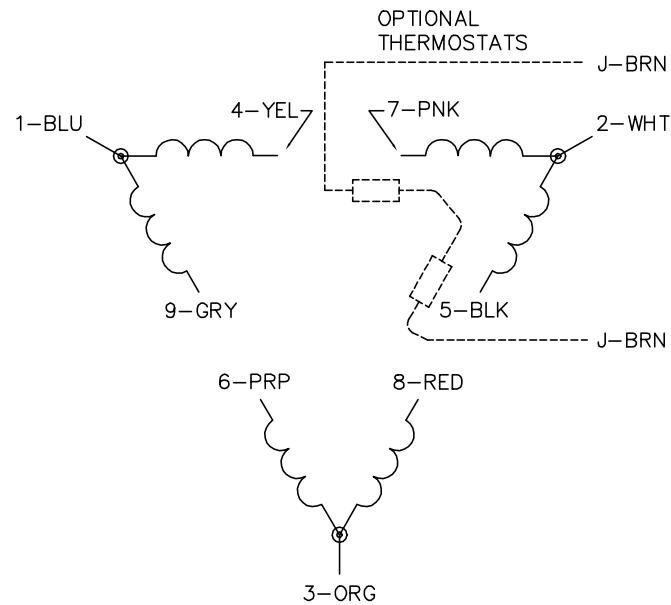
Nameplate

NP3441LUA

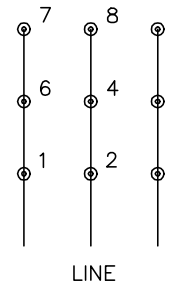
CAT.NO.	EJPM2394T						
SPEC	09-0000-2963						
HP	15						
VOLTS	230/460						
AMPS	36/18						
RPM	3525						
FRAME	254JP		HZ	60		PH	3
SF	1.15	CODE	H	DES	A	CLASS	F
NEMA NOM. EFF	91	PF	86				
RATING	40C AMB-CONT						
CC	010A						
ENCL	TEFC	SER					
DE	6309	ODE	6208				
VPWM INVERTER READY							
CT6-60H(10:1)VT3-60H(20:1	50HZ 15HP 190/380V 42/21A						SF1.0



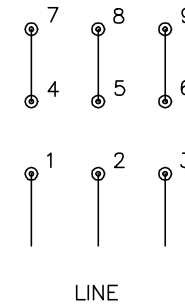
CD0180



LOW VOLTAGE
(2D)



HIGH VOLTAGE
(1D)



NOTES:

1. INTERCHANGE ANY TWO LINE LEADS TO REVERSE ROTATION.
2. OPTIONAL THERMOSTATS ARE PROVIDED WHEN SPECIFIED.
3. ACTUAL NUMBER OF INTERNAL PARALLEL CIRCUITS MAY BE A MULTIPLE OF THOSE SHOWN ABOVE.
4. LEAD COLORS ARE OPTIONAL. LEADS MUST ALWAYS BE NUMBERED AS SHOWN.

CD0180

REV. DESC: ADD CLASS CONN00000007		
REV. LTR: D	VERSION: 01	TDR: 000001099922
FILE: \AAA\00005\148	REVISED: 10: 25: 29 02/19/2019	BY: ENBRIRO
MTL: -	© □	

BALDOR - RELIANCE®

3PH, DV, 9 LEADS, DELTA CONNECTION

SH 1 of 1