



---

# Customer information packet

## EJMM4114T

50HP, 3540RPM, 3PH, 60HZ, 326JM, 1252M, TEFC, F

Class - None

Division - Not Applicable

## Specifications

Enclosure	TEFC
Frame	326JM
Frame Material	Iron
Frequency	60.00 Hz
Haz Area Class and Group	None
Haz Area Division	Not Applicable
Motor Letter Type	Three Phase
Output @ Frequency	50.000 HP @ 60 HZ
Phase	3
Synchronous Speed @ Frequency	3600 RPM @ 60 HZ
Voltage @ Frequency	460.0 V @ 60 HZ 230.0 V @ 60 HZ
Agency Approvals	CSA CSA EEV UR
Ambient Temperature	40 °C
Auxillary Box	No Auxillary Box
Auxillary Box Lead Termination	None
Base Indicator	Rigid
Bearing Grease Type	Polyrex EM (-20F +300F)
Blower	None
Current @ Voltage	124.000 A @ 208.0 V 56.000 A @ 460.0 V 112.000 A @ 230.0 V
Design Code	A
Drip Cover	No Drip Cover
Duty Rating	CONT
Efficiency @ 100% Load	93.0 %
Electrically Isolated Bearing	Not Electrically Isolated
Feedback Device	NO FEEDBACK
Front Face Code	Standard
Front Shaft Indicator	None

## Part detail

Revision	S
Type	AC
Mech. spec.	12J43
Base	
Status	PRD/A
Elec. spec.	12WGY277
Layout	12LYJ043
Eff. date	11-29-2023
CD Diagram	CD0180
Poles	02
Leads	9#6
Proprietary	False
Created date	04-29-2010

Heater Indicator	No Heater
High Voltage Full Load Amps	56.0 a
Insulation Class	F
Inverter Code	Inverter Ready
KVA Code	H
Lifting Lugs	Standard Lifting Lugs
Locked Bearing Indicator	Locked Bearing
Motor Lead Exit	Ko Box
Motor Lead Quantity/Wire Size	9 @ 6 AWG
Motor Lead Termination	Flying Leads
Motor Standards	NEMA
Motor Type	1252M
Mounting Arrangement	F1
Number of Poles	2
Overall Length	30.65 IN
Power Factor	89
Product Family	General Purpose
Pulley End Bearing Type	Ball
Pulley Face Code	C-Face
Pulley Shaft Indicator	Tapped & Key
Rodent Screen	None
Service Factor	1.15
Shaft Diameter	1.375 IN
Shaft Extension Location	Pulley End
Shaft Ground Indicator	No Shaft Grounding
Shaft Rotation	Reversible
Shaft Slinger Indicator	Shaft Slinger
Speed	3540 rpm
Speed Code	Single Speed
Starting Method	Direct on line
Thermal Device - Bearing	NONE (OLD)
Thermal Device - Winding	None
Vibration Sensor Indicator	No Vibration Sensor
Winding Thermal 1	None

**Winding Thermal 2**

**None**

---

**Nameplate**

**NP2138LUA**

<b>CAT.NO.</b>	EJMM4114T	<b>P/N</b>		<b>ENCLOSURE</b>	TEFC
<b>SPEC.</b>	12J043Y277G1	<b>CC</b>	010A	<b>FRAME</b>	326JM
<b>HP</b>	50	<b>CLASS</b>	F	<b>HZ</b>	60
<b>RPM</b>	3540	<b>PH</b>	3	<b>DES</b>	A
<b>VOLT</b>	230/460	<b>KVA-CODE</b>	H	<b>ODE BRG</b>	6311
<b>AMP</b>	112/56	<b>DE BRG</b>			6312
<b>RATING</b>	40C AMB-CONT	<b>GREASE</b>	POLYREX EM		
<b>NEMA-NOM-EFF</b>	93	<b>PF</b>	89	<b>SER.F.</b>	1.15
<b>HTR-VOLTS</b>	50HZ 50HP 190/380V 136/68A			<b>SF1.0</b>	
<b>HTR-AMPS</b>					

**AC Induction Motor Performance Data**

Record # 30950

Typical performance - not guaranteed values

<b>Winding: 12WGY277-R001</b>		<b>Type: 1252M</b>		<b>Enclosure: TEFC</b>	
<b>Nameplate Data</b>			<b>460 V, 60 Hz: High Voltage Connection</b>		
<b>Rated Output (HP)</b>	50		<b>Full Load Torque</b>	74.1 LB-FT	
<b>Volts</b>	230/460		<b>Start Configuration</b>	direct on line	
<b>Full Load Amps</b>	112/56		<b>Breakdown Torque</b>	310 LB-FT	
<b>R.P.M.</b>	3540		<b>Pull-up Torque</b>	105 LB-FT	
<b>Hz</b>	60	<b>Phase</b>	3	<b>Locked-rotor Torque</b>	144 LB-FT
<b>NEMA Design Code</b>	A	<b>KVA Code</b>	H	<b>Starting Current</b>	431 A
<b>Service Factor (S.F.)</b>	1.15		<b>No-load Current</b>	18.9 A	
<b>NEMA Nom. Eff.</b>	93	<b>Power Factor</b>	89	<b>Line-line Res. @ 25°C</b>	0.104 Ω
<b>Rating - Duty</b>	40C AMB-CONT		<b>Temp. Rise @ Rated Load</b>	79°C	
<b>S.F. Amps</b>			<b>Temp. Rise @ S.F. Load</b>	95°C	
			<b>Locked-rotor Power Factor</b>	21	
			<b>Rotor inertia</b>	4.07 LB-FT <sup>2</sup>	

**Load Characteristics 460 V, 60 Hz, 50 HP**

<b>% of Rated Load</b>	<b>25</b>	<b>50</b>	<b>75</b>	<b>100</b>	<b>125</b>	<b>150</b>	<b>S.F.</b>
<b>Power Factor</b>	56	78	85	89	90	90	90
<b>Efficiency</b>	90.1	93.5	94.3	94.1	93.5	93	93.7
<b>Speed</b>	3585	3574	3563	3552	3541	3530	3545
<b>Line amperes</b>	23.2	32.3	43.6	56.3	69.6	83.1	64.3

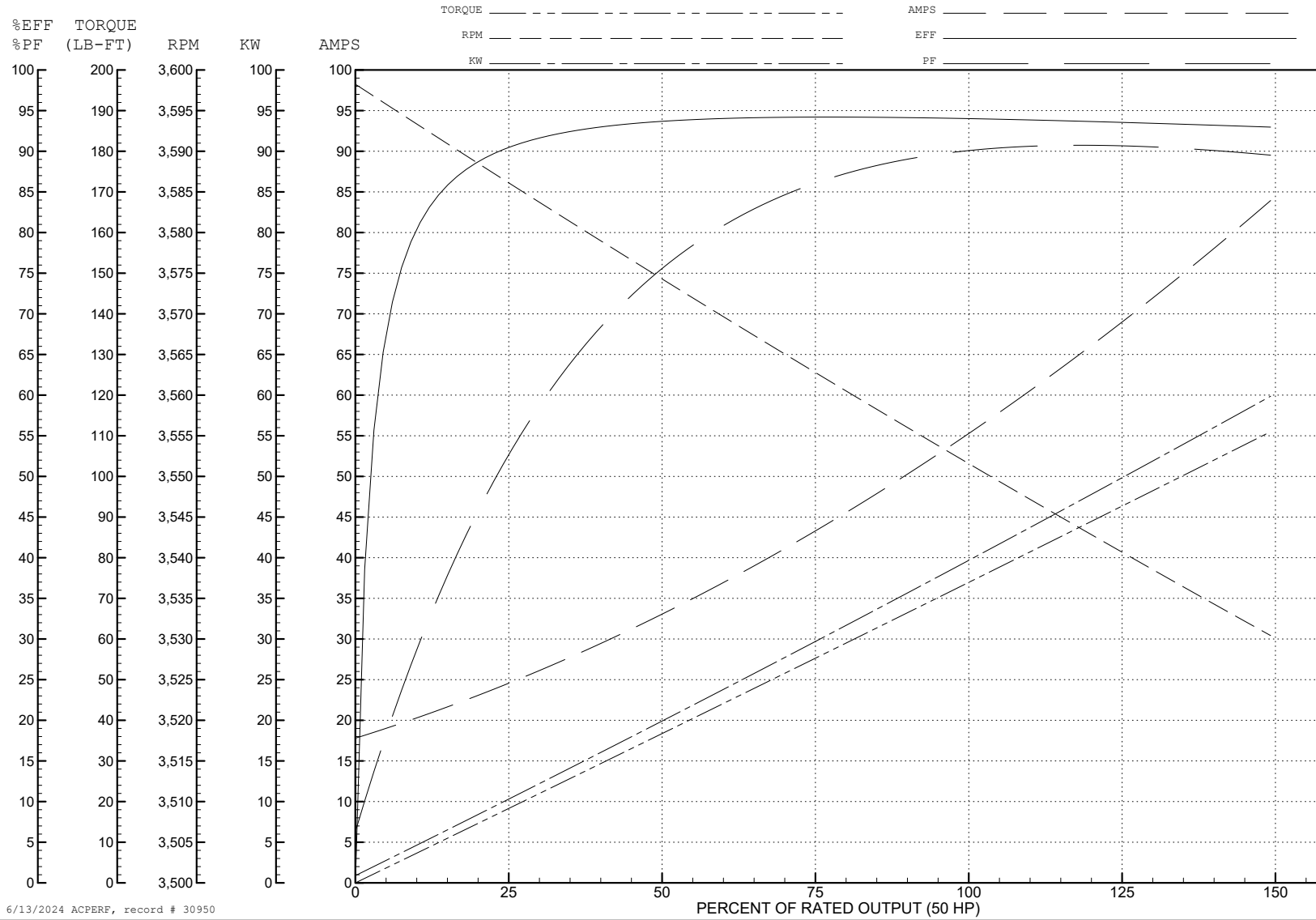
ABB Motors and Mechanical Inc.

WINDING # 12WGY277

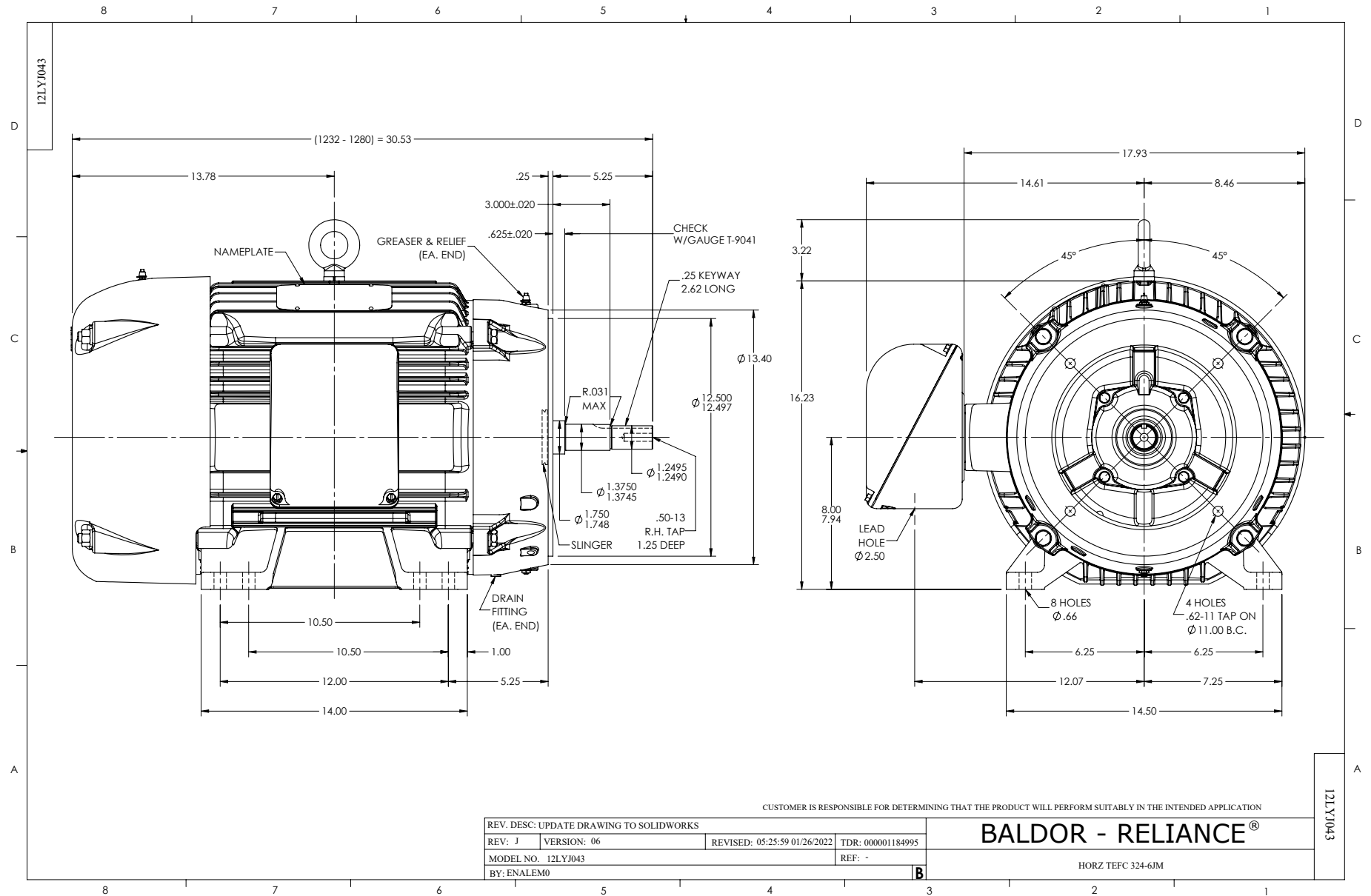
Typical performance - not guaranteed values.

50 HP 3 PH 60 HZ 3540 RPM 460 V 1252M

TORQUES (LB-FT): PO=310 PU=105 LR=144 LRA=431

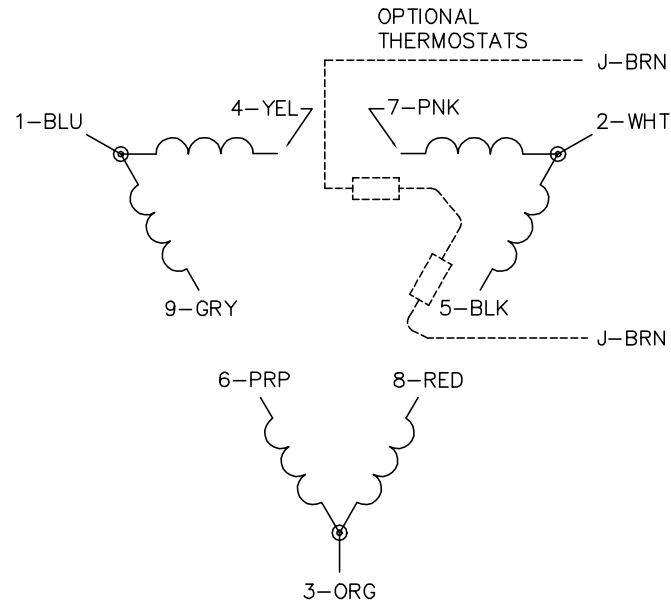


6/13/2024 ACPERF, record # 30950

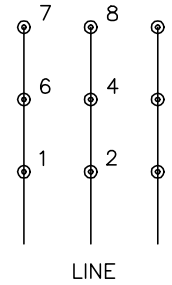




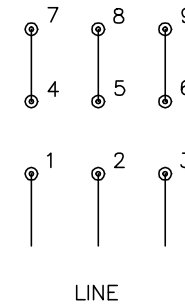
CD0180



LOW VOLTAGE  
(2D)



HIGH VOLTAGE  
(1D)



NOTES:

1. INTERCHANGE ANY TWO LINE LEADS TO REVERSE ROTATION.
2. OPTIONAL THERMOSTATS ARE PROVIDED WHEN SPECIFIED.
3. ACTUAL NUMBER OF INTERNAL PARALLEL CIRCUITS MAY BE A MULTIPLE OF THOSE SHOWN ABOVE.
4. LEAD COLORS ARE OPTIONAL. LEADS MUST ALWAYS BE NUMBERED AS SHOWN.

CD0180

REV. DESC: ADD CLASS CONN00000007		
REV. LTR: D	VERSION: 01	TDR: 000001099922
FILE: \AAA\00005\148	REVISED: 10: 25: 29 02/19/2019	BY: ENBRIRO
MTL: -	© □	

**BALDOR - RELIANCE®**

3PH, DV, 9 LEADS, DELTA CONNECTION

SH 1 of 1