

ABB BALDOR RELIANCE III

Customer information packet

EJMM4110T

40HP, 1775RPM, 3PH, 60HZ, 324JM, 1254M, TEFC, F

Class - None

Division - Not Applicable

Specifications

Enclosure	TEFC
Frame	324JM
Frame Material	Iron
Frequency	60.00 Hz
Haz Area Class and Group	None
Haz Area Division	Not Applicable
Motor Letter Type	Three Phase
Output @ Frequency	40.000 HP @ 60 HZ
Phase	3
Synchronous Speed @ Frequency	1800 RPM @ 60 HZ
Voltage @ Frequency	460.0 V @ 60 HZ 230.0 V @ 60 HZ
Agency Approvals	CSA CSA EEV UR
Ambient Temperature	40 °C
Auxiliary Box	NO AUXILLARY BOX
Auxiliary Box Lead Termination	None
Base Indicator	Rigid
Bearing Grease Type	Polyrex EM (-20F +300F)
Blower	None
Current @ Voltage	48.000 A @ 460.0 V 96.000 A @ 230.0 V 102.000 A @ 208.0 V
Design Code	A
Drip Cover	No Drip Cover
Duty Rating	CONT
Efficiency @ 100% Load	94.1 %
Electrically Isolated Bearing	Not Electrically Isolated
Feedback Device	NO FEEDBACK
Front Face Code	Standard
Front Shaft Indicator	None

Part Detail

Revision	AD
Type	AC
Mech. spec.	12J43
Base	
Status	PRD/A
Elec. spec.	12WGY276
Layout	12LYJ043
Eff. date	05-05-2026
CD Diagram	CD0180
Poles	04
Leads	9#8
Proprietary	False
Created date	04-29-2010

Heater Indicator	No Heater
High Voltage Full Load Amps	48.0 a
Insulation Class	F
Inverter Code	Inverter Ready
KVA Code	H
Lifting Lugs	Standard Lifting Lugs
Locked Bearing Indicator	Locked Bearing
Motor Lead Exit	Ko Box
Motor Lead Quantity/Wire Size	9 @ 8 AWG
Motor Lead Termination	Flying Leads
Motor Standards	NEMA
Motor Type	1254M
Mounting Arrangement	F1
Number of Poles	4
Overall Length	30.65 IN
Power Factor	82
Product Family	General Purpose
Pulley End Bearing Type	Ball
Pulley Face Code	C-Face
Pulley Shaft Indicator	Tapped & Key
Rodent Screen	None
Service Factor	1.15
Shaft Diameter	1.375 IN
Shaft Extension Location	Pulley End
Shaft Ground Indicator	No Shaft Grounding
Shaft Rotation	Reversible
Shaft Slinger Indicator	Shaft Slinger
Speed	1775 rpm
Speed Code	Single Speed
Starting Method	Direct on line
Thermal Device - Bearing	NONE (OLD)
Thermal Device - Winding	None
Vibration Sensor Indicator	No Vibration Sensor
Winding Thermal 1	None

Winding Thermal 2

None

Nameplate

NP3443LUA

CAT.NO.	EJMM4110T			CUST. P/N			ENCL	TEFC
SPEC.	12J043Y276G1	CC	010A	FRAME	324JM	SER.NO.		
HP	40	CLASS	F	HZ	60			
R.P.M.	1775	PH.	3	DES.	A			
VOLTS	230/460	CODE	H	ODE BRG	6311	DE BRG	6312	
AMPS	96/48							
RATING	40C AMB-CONT	NEMA NOM. EFF.	94.1	GREASE	POLYREX EM			
P.F.	82	SER.F.	1.15	CT6-60H(10:1)VT3-60H(20:1)				
USABLE AT	50HZ 40HP 190/380V 114/57A		SF1.0					
VOLTS	AMPS	MAX. SPACE HEATER TEMP.						

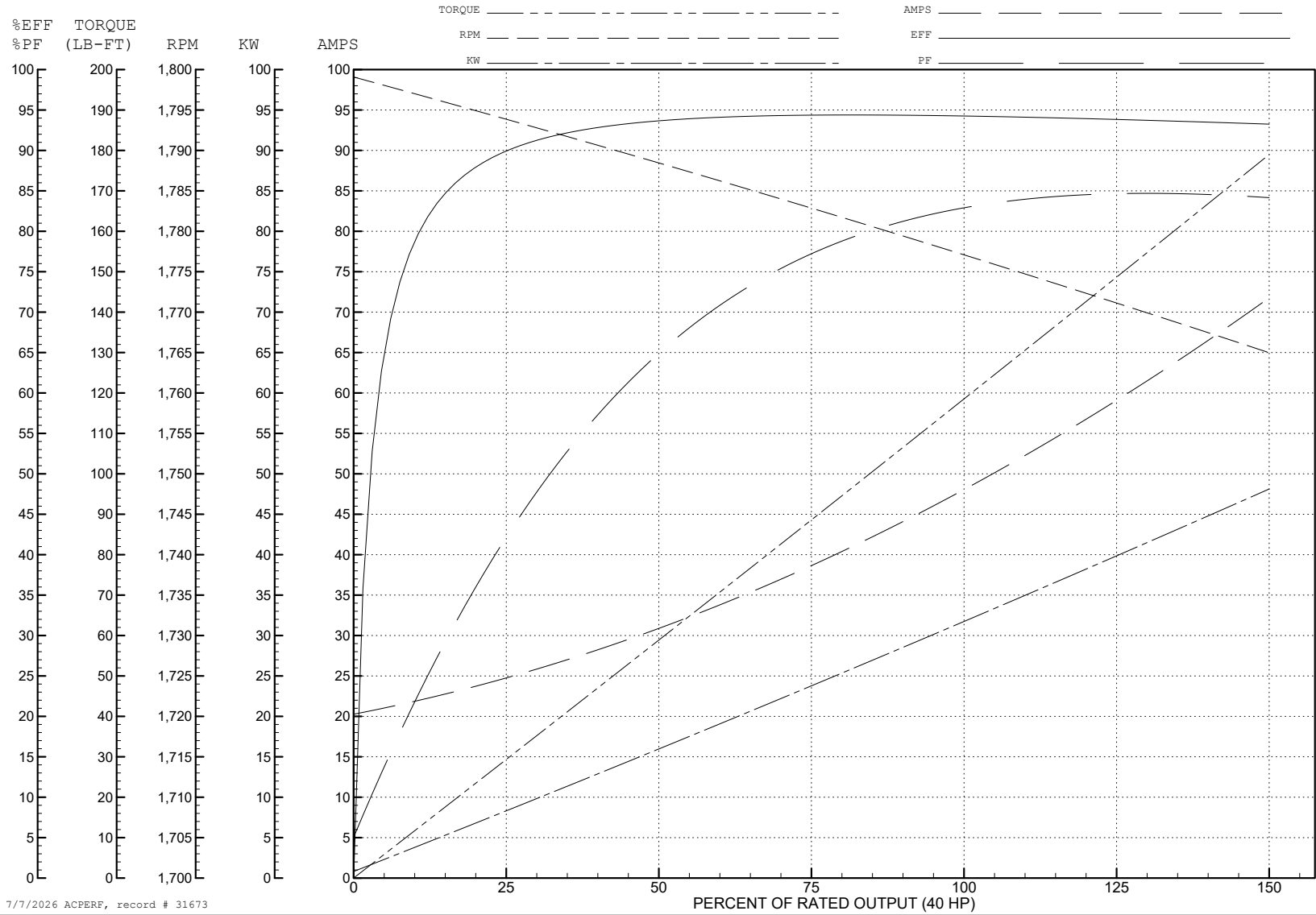
ABB Motors and Mechanical Inc.

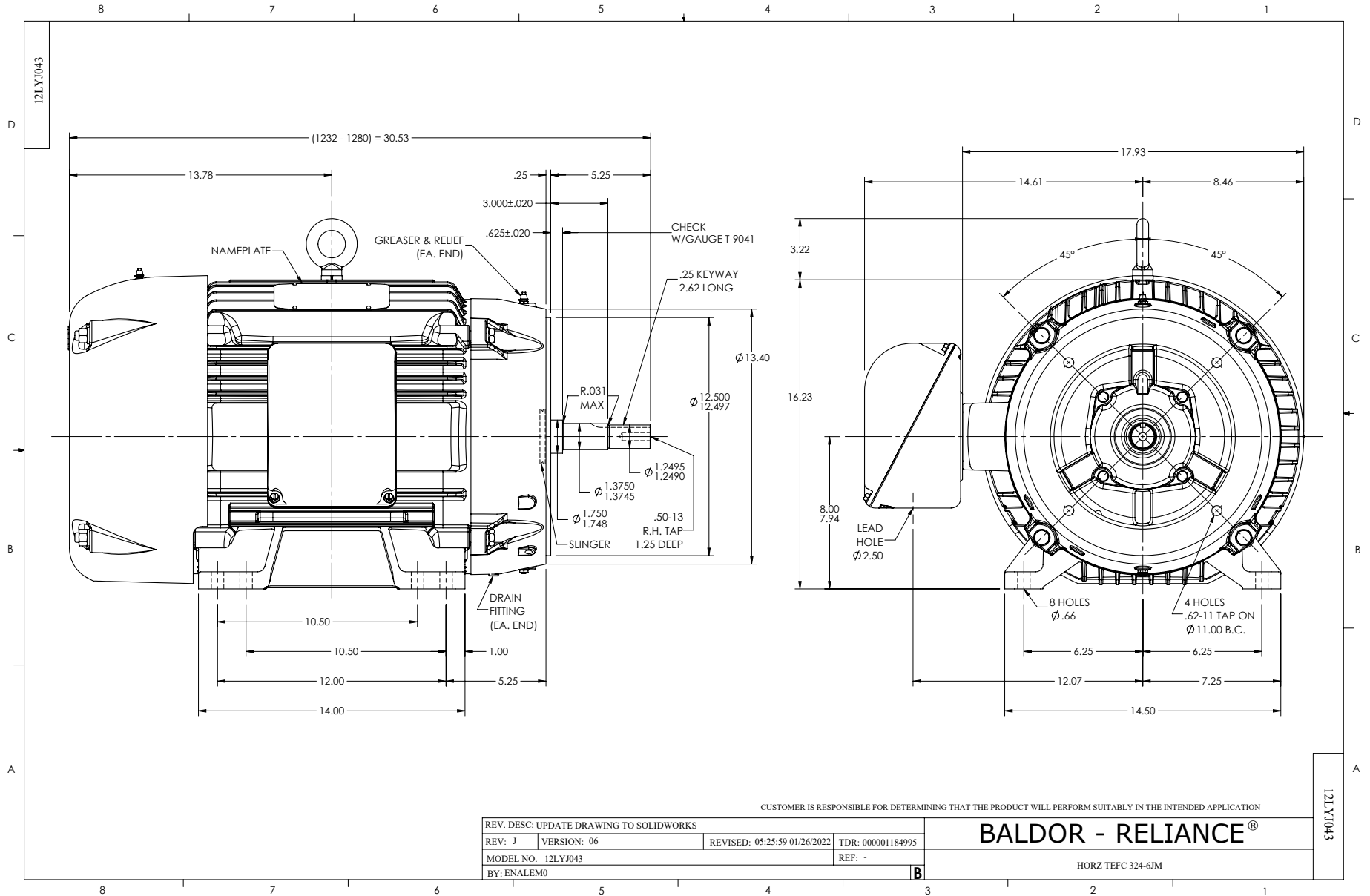
WINDING # 12WGY276

Typical performance - not guaranteed values.

40 HP 3 PH 60 HZ 1775 RPM 460 V 1254M

TORQUES (LB-FT): PO=396 PU=198 LR=222 LRA=347

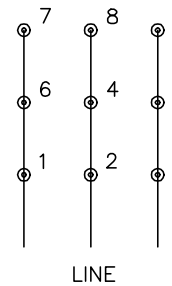




CD0180



LOW VOLTAGE
(2D)



HIGH VOLTAGE
(1D)



NOTES:

1. INTERCHANGE ANY TWO LINE LEADS TO REVERSE ROTATION.
2. OPTIONAL THERMOSTATS ARE PROVIDED WHEN SPECIFIED.
3. ACTUAL NUMBER OF INTERNAL PARALLEL CIRCUITS MAY BE A MULTIPLE OF THOSE SHOWN ABOVE.
4. LEAD COLORS ARE OPTIONAL. LEADS MUST ALWAYS BE NUMBERED AS SHOWN.

CD0180

REV. DESC: ADD CLASS CONN00000007		
REV. LTR: D	VERSION: 01	TDR: 000001099922
FILE: \AAA\00005\148	REVISED: 10: 25: 29 02/19/2019	BY: ENBRIRO
MTL: -	© □	

BALDOR - RELIANCE®

3PH, DV, 9 LEADS, DELTA CONNECTION

SH 1 of 1