

ABB BALDOR RELIANCE III

Customer information packet EJMM4109T-G

58M 2P TEFC HOR 324JM SE

Class - None

Division - Not Applicable

Specifications

Enclosure	TEFC
Frame	324JM
Frame Material	Iron
Frequency	60.00 Hz
Haz Area Class and Group	None
Haz Area Division	Not Applicable
Motor Letter Type	Three Phase
Output @ Frequency	40.000 HP @ 60 HZ
Phase	3
Synchronous Speed @ Frequency	3600 RPM @ 60 HZ
Voltage @ Frequency	230.0 V @ 60 HZ 460.0 V @ 60 HZ
Agency Approvals	CSA CSA EEV NEMA PREMIUM UR
Ambient Temperature	40 °C
Auxiliary Box	NO AUXILLARY BOX
Auxiliary Box Lead Termination	None
Base Indicator	Rigid
Bearing Grease Type	Polyrex EM (-20F +300F)
Blower	None
Current @ Voltage	90.000 A @ 230.0 V 45.000 A @ 460.0 V 100.000 A @ 208.0 V
Design Code	A
Drip Cover	No Drip Cover
Duty Rating	CONT
Efficiency @ 100% Load	92.4 %
Electrically Isolated Bearing	Not Electrically Isolated
Feedback Device	NO FEEDBACK
Front Shaft Indicator	None

Part Detail

Revision	F
Type	AC
Mech. spec.	10K411
Base	
Status	PRD/A
Elec. spec.	10WGY652
Layout	10LYK411
Eff. date	12-11-2025
CD Diagram	CD0180
Poles	02
Leads	9#8
Proprietary	False
Created date	04-02-2019

Heater Indicator	No Heater
High Voltage Full Load Amps	45.0 a
Insulation Class	F
Inverter Code	Inverter Ready
IP Rating	NONE
KVA Code	H
Lifting Lugs	Standard Lifting Lugs
Locked Bearing Indicator	Locked Bearing
Motor Lead Quantity/Wire Size	9 @ 8 AWG
Motor Lead Termination	Flying Leads
Motor Standards	NEMA
Motor Type	1058M
Mounting Arrangement	F1
Number of Poles	2
Overall Length	30.64 IN
Power Factor	90
Product Family	General Purpose
Pulley End Bearing Type	Ball
Pulley Face Code	C-Face
Pulley Shaft Indicator	Tapped & Key
Rodent Screen	None
Service Factor	1.15
Shaft Diameter	1.375 IN
Shaft Ground Indicator	Shaft Grounding
Shaft Rotation	Reversible
Shaft Slinger Indicator	Shaft Slinger
Speed	3530 rpm
Speed Code	Single Speed
Starting Method	Direct on line
Thermal Device - Winding	None
Vibration Sensor Indicator	No Vibration Sensor
Winding Thermal 1	None
Winding Thermal 2	None

Nameplate

NP3443LUA

CAT.NO.	EJMM4109T-G	CUST. P/N		ENCL	TEFC
SPEC.	10K411Y652G3	CC	010A	FRAME	324JM
HP	40	CLASS	H	HZ	60
R.P.M.	3530	PH.	3	DES.	A
VOLTS	230/460	CODE	H	ODE BRG	6309
AMPS	90/45	DE BRG	6312		
RATING	40C AMB-CONT	NEMA NOM. EFF.	92.4	GREASE	POLYREX EM
P.F.	90	SER.F.	1.15	CT6-60H(10:1)VT3-60H(20:1)	
USABLE AT	50HZ 40HP 190/380V 110/55A	SF1.0			
VOLTS	AMPS	MAX. SPACE HEATER TEMP.			

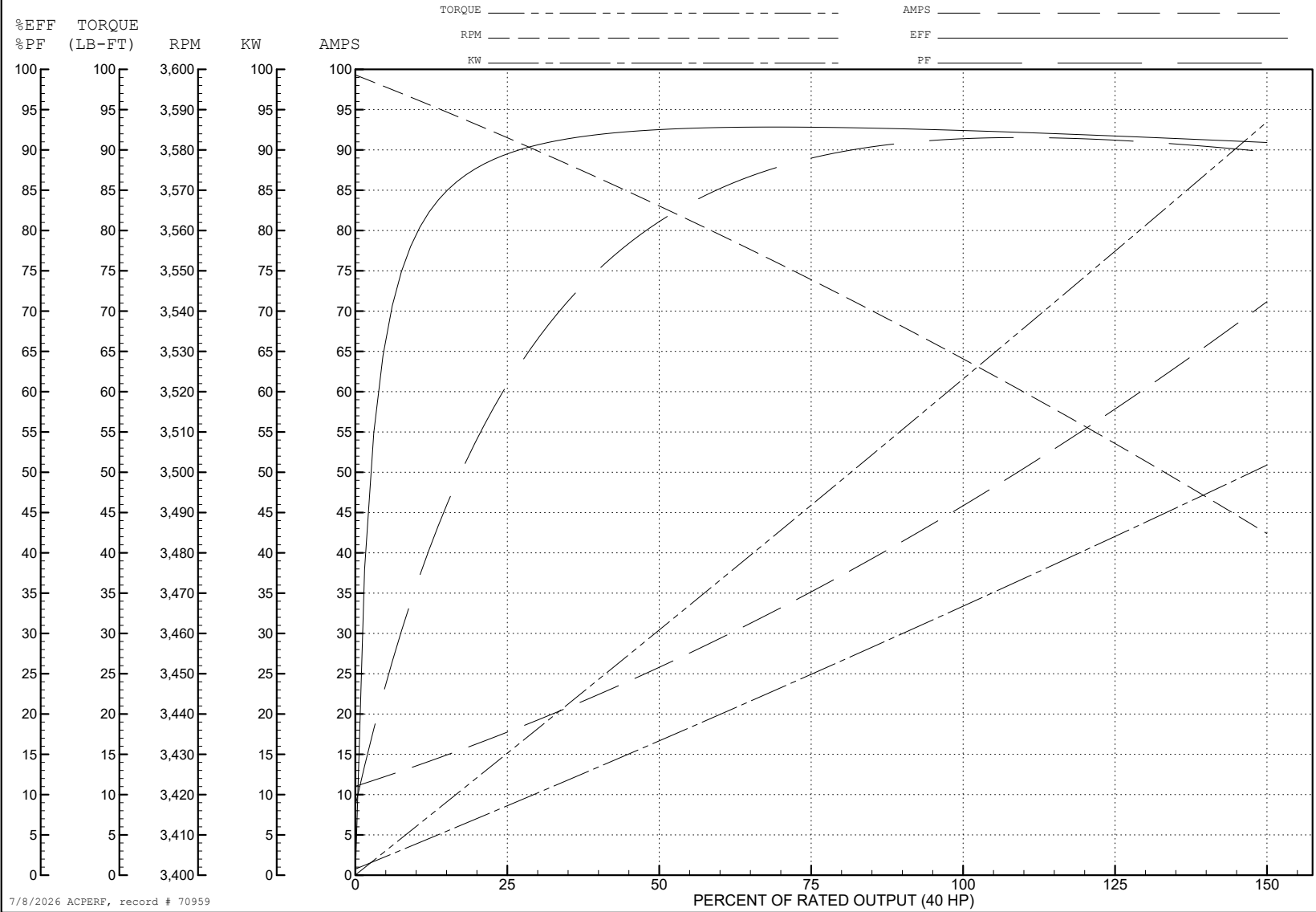
ABB Motors and Mechanical Inc.

WINDING # 10WGY652

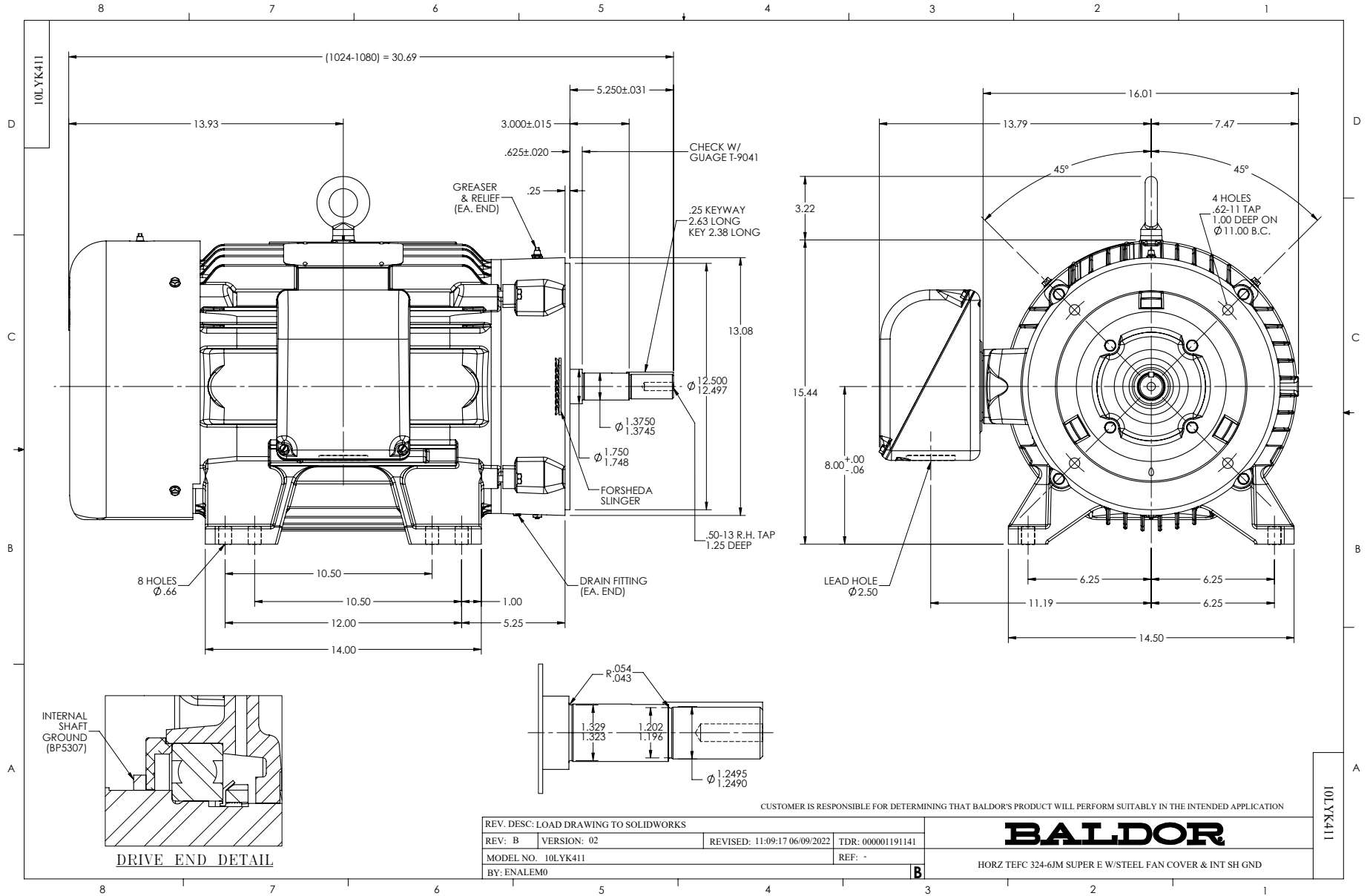
40 HP 3 PH 60 HZ 3530 RPM 460 V 1058M

Typical performance - not guaranteed values.

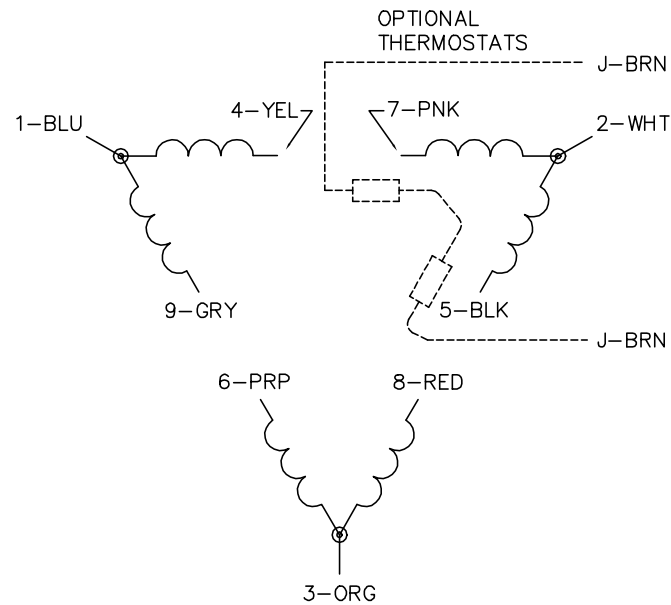
TORQUES (LB-FT): PO=197 PU=85.4 LR=125 LRA=324



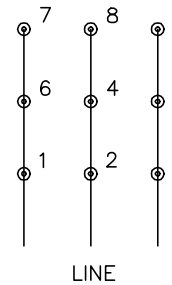
7/8/2026 ACPERF, record # 70959



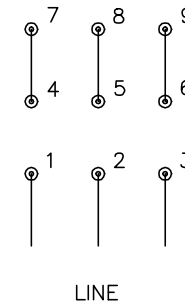
CD0180



LOW VOLTAGE
(2D)



HIGH VOLTAGE
(1D)



NOTES:

1. INTERCHANGE ANY TWO LINE LEADS TO REVERSE ROTATION.
2. OPTIONAL THERMOSTATS ARE PROVIDED WHEN SPECIFIED.
3. ACTUAL NUMBER OF INTERNAL PARALLEL CIRCUITS MAY BE A MULTIPLE OF THOSE SHOWN ABOVE.
4. LEAD COLORS ARE OPTIONAL. LEADS MUST ALWAYS BE NUMBERED AS SHOWN.

CD0180

REV. DESC: ADD CLASS CONN00000007		
REV. LTR: D	VERSION: 01	TDR: 000001099922
FILE: \AAA\00005\148	REVISED: 10: 25: 29 02/19/2019	BY: ENBRIRO
MTL: -	© □	

BALDOR - RELIANCE®

3PH, DV, 9 LEADS, DELTA CONNECTION

SH 1 of 1