



---

# Customer information packet

## EJMM3615T-5

5HP, 1750RPM, 3PH, 60HZ, 184JM, 3642M, TEFC, F1

Class - None

Division - Not Applicable

## Specifications

Enclosure	TEFC
Frame	184JM
Frame Material	Steel
Frequency	60.00 Hz
Haz Area Class and Group	None
Haz Area Division	Not Applicable
Motor Letter Type	Three Phase
Output @ Frequency	5.000 HP @ 60 HZ
Phase	3
Synchronous Speed @ Frequency	1800 RPM @ 60 HZ
Voltage @ Frequency	575.0 V @ 60 HZ
Agency Approvals	UR CSA CSA EEV
Ambient Temperature	40 °C
Auxillary Box	No Auxillary Box
Auxillary Box Lead Termination	None
Base Indicator	Rigid
Bearing Grease Type	Polyrex EM (-20F +300F)
Blower	None
Current @ Voltage	5.300 A @ 575.0 V
Design Code	B
Drip Cover	No Drip Cover
Duty Rating	CONT
Efficiency @ 100% Load	89.5 %
Electrically Isolated Bearing	Not Electrically Isolated
Feedback Device	NO FEEDBACK
Front Face Code	Standard
Front Shaft Indicator	None
Heater Indicator	No Heater
High Voltage Full Load Amps	5.3 a
Insulation Class	F

## Part detail

Revision	E
Type	AC
Mech. spec.	36H017
Base	
Status	PRD/A
Elec. spec.	36WGS551
Layout	36LYH017
Eff. date	07-29-2024
CD Diagram	CD0006
Poles	04
Leads	3#16
Proprietary	False
Created date	08-17-2015

<b>Inverter Code</b>	Inverter Ready
<b>KVA Code</b>	J
<b>Lifting Lugs</b>	No Lifting Lugs
<b>Locked Bearing Indicator</b>	Locked Bearing
<b>Motor Lead Exit</b>	Ko Box
<b>Motor Lead Quantity/Wire Size</b>	3 @ 16 AWG
<b>Motor Lead Termination</b>	Flying Leads
<b>Motor Standards</b>	NEMA
<b>Motor Type</b>	3642M
<b>Mounting Arrangement</b>	F1
<b>Number of Poles</b>	4
<b>Overall Length</b>	19.56 IN
<b>Power Factor</b>	78
<b>Product Family</b>	General Purpose
<b>Pulley End Bearing Type</b>	Ball
<b>Pulley Face Code</b>	C-Face
<b>Pulley Shaft Indicator</b>	Tapped & Key
<b>Rodent Screen</b>	None
<b>Service Factor</b>	1.15
<b>Shaft Diameter</b>	0.875 IN
<b>Shaft Extension Location</b>	Pulley End
<b>Shaft Ground Indicator</b>	No Shaft Grounding
<b>Shaft Rotation</b>	Reversible
<b>Shaft Slinger Indicator</b>	Shaft Slinger
<b>Speed</b>	1750 rpm
<b>Speed Code</b>	Single Speed
<b>Starting Method</b>	Direct on line
<b>Thermal Device - Bearing</b>	None
<b>Thermal Device - Winding</b>	None
<b>Vibration Sensor Indicator</b>	No Vibration Sensor
<b>Winding Thermal 1</b>	None
<b>Winding Thermal 2</b>	None

**Nameplate****NP3441L**

<b>CAT.NO.</b>	EJMM3615T-5						
<b>SPEC.</b>	36H017S551G1						
<b>HP</b>	5						
<b>VOLTS</b>	575						
<b>AMP</b>	5.3						
<b>RPM</b>	1750						
<b>FRAME</b>	184JM		<b>HZ</b>	60		<b>PH</b>	3
<b>SER.F.</b>	1.15	<b>CODE</b>	J	<b>DES</b>	B	<b>CL</b>	F
<b>NEMA-NOM-EFF</b>	89.5	<b>PF</b>	78				
<b>RATING</b>	40C AMB-CONT						
<b>CC</b>	010A						
<b>DE</b>	6207	<b>ODE</b>	6205				
<b>ENCL</b>	TEFC	<b>SN</b>					

VPWM INVERTER READY

CT6-60H(10:1)VT3-60H(20:1)

**AC Induction Motor Performance Data**

Record # 32022

Typical performance - not guaranteed values

Winding: 36WGS551-R001		Type: 3642M	Enclosure: TEFC	
<b>Nameplate Data</b>			<b>575 V, 60 Hz: Single Voltage Motor</b>	
Rated Output (HP)	5	Full Load Torque	14.9 LB-FT	
Volts	575	Start Configuration	direct on line	
Full Load Amps	5.3	Breakdown Torque	52.2 LB-FT	
R.P.M.	1750	Pull-up Torque	31.6 LB-FT	
Hz	60 Phase	Locked-rotor Torque	35 LB-FT	
NEMA Design Code	B KVA Code	Starting Current	39.3 A	
Service Factor (S.F.)	1.15	No-load Current	2.6 A	
NEMA Nom. Eff.	89.5 Power Factor	Line-line Res. @ 25°C	3.57 Ω	
Rating - Duty	40C AMB-CONT	Temp. Rise @ Rated Load	77°C	
S.F. Amps		Temp. Rise @ S.F. Load	94°C	
		Locked-rotor Power Factor	40	
		Rotor inertia	0.391 LB-FT <sup>2</sup>	

**Load Characteristics 575 V, 60 Hz, 5 HP**

% of Rated Load	25	50	75	100	125	150	S.F.
Power Factor	38	60	72	78	83	83	81
Efficiency	84.8	89.6	90.5	89.5	88.5	86.9	88.9
Speed	1789	1776	1762	1750	1733	1714	1740
Line amperes	2.85	3.45	4.35	5.33	6.36	7.72	5.95

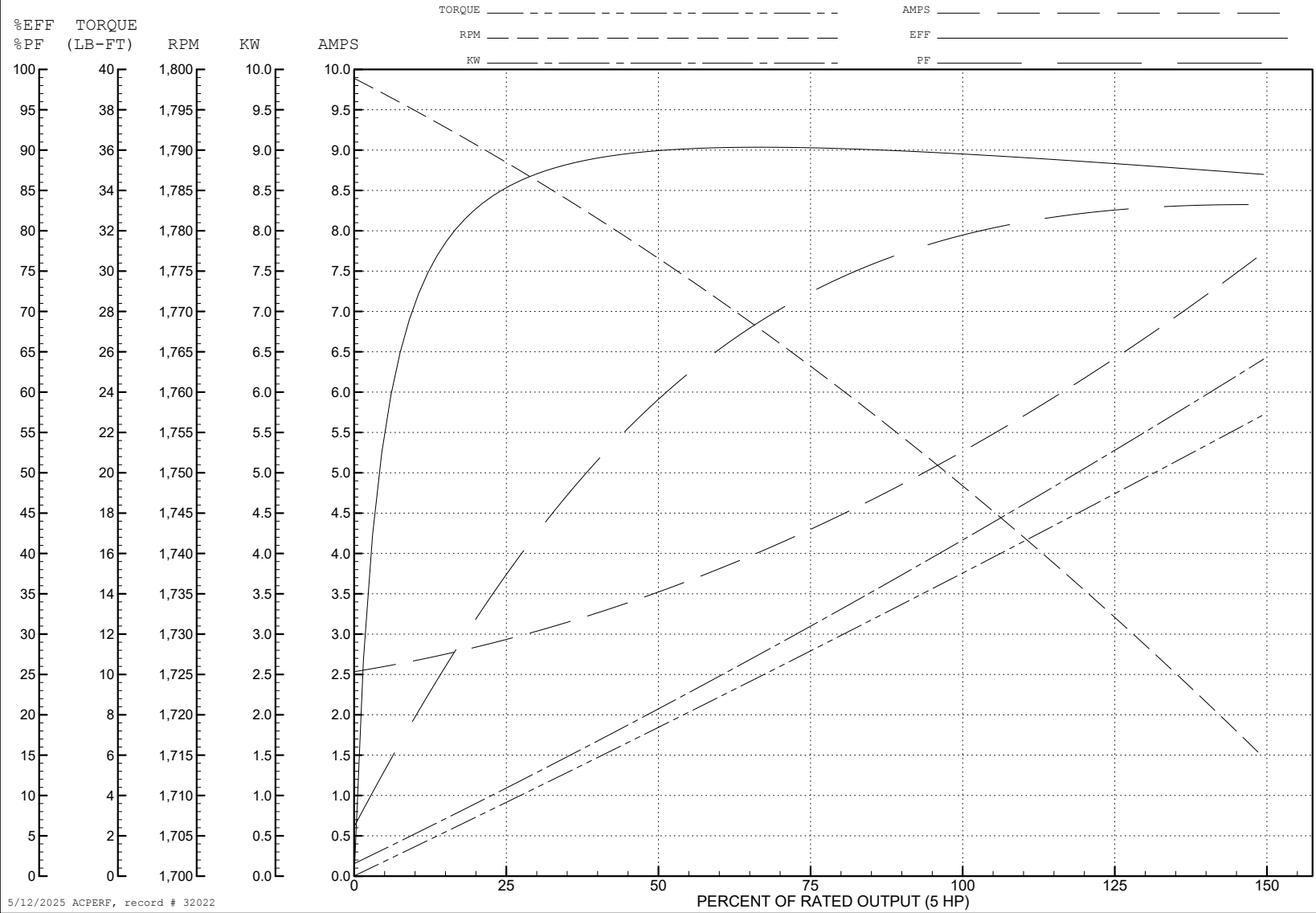
ABB Motors and Mechanical Inc.

WINDING # 36WGS551

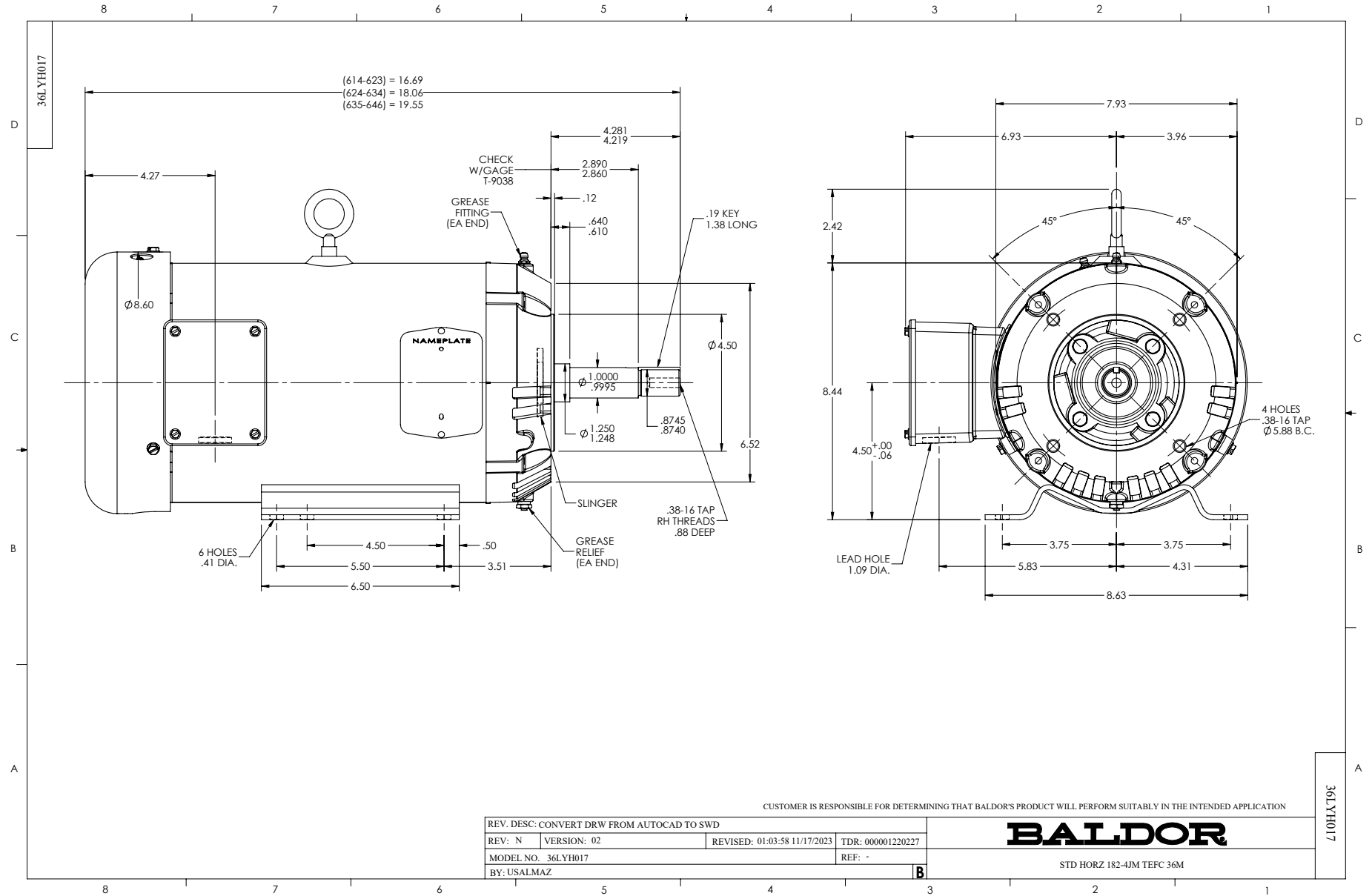
5 HP 3 PH 60 HZ 1750 RPM 575 V 3642M

Typical performance - not guaranteed values.

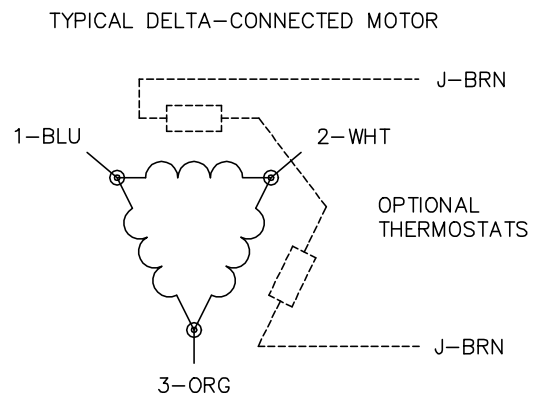
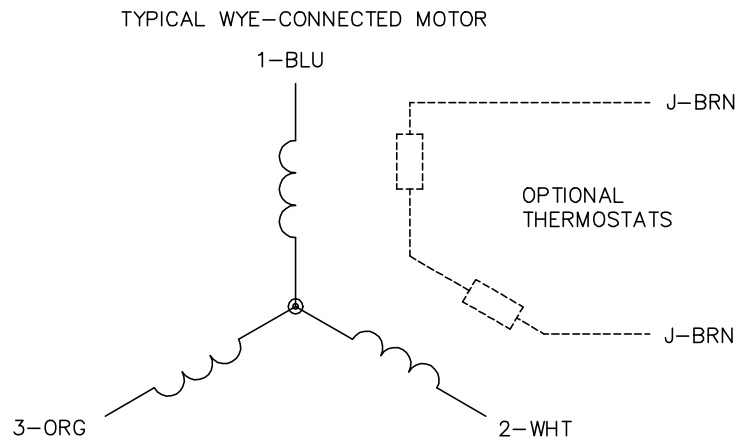
TORQUES (LB-FT): PO=52.2 PU=31.6 LR=35 LRA=39.3



5/12/2025 ACPERF, record # 32022



CD0006



NOTES:

1. THREE LEAD MOTOR MAY BE EITHER WYE CONNECTED OR DELTA CONNECTED.
2. INTERCHANGE ANY TWO LINE LEADS TO REVERSE ROTATION.
3. OPTIONAL THERMOSTATS ARE PROVIDED WHEN SPECIFIED.
4. ACTUAL NUMBER OF INTERNAL PARALLEL CIRCUITS MAY VARY.
5. LEAD COLORS ARE OPTIONAL. LEADS MUST BE NUMBERED AS SHOWN.

CD0006

REV. DESC: ADD CLASS CONN00000007		
REV. LTR: E	VERSION: 01	TDR: 000001099922
FILE: \AAA\00005\141	REVISED: 10:24:49 02/19/2019	BY: ENBRIRO
MTL: -	© □	

**BALDOR - RELIANCE®**

3PH, SV, 3 LEADS, WYE OR DELTA CONNECTED

SH 1 of 1