

BALDOR • RELIANCE

Customer information packet

EJMM3555T-5

2HP, 3490RPM, 3PH, 60HZ, 145JM, 3526M, TEFC, F1

Class - None

Division - Not Applicable

Specifications

Enclosure	TEFC
Frame	145JM
Frame Material	Steel
Frequency	60.00 Hz
Haz Area Class and Group	None
Haz Area Division	Not Applicable
Motor Letter Type	Three Phase
Output @ Frequency	2.000 HP @ 60 HZ
Phase	3
Synchronous Speed @ Frequency	3600 RPM @ 60 HZ
Voltage @ Frequency	575.0 V @ 60 HZ
Agency Approvals	CSA EEV CSA UR
Ambient Temperature	40 °C
Auxillary Box	No Auxillary Box
Auxillary Box Lead Termination	None
Base Indicator	Rigid
Bearing Grease Type	Polyrex EM (-20F +300F)
Blower	None
Current @ Voltage	2.000 A @ 575.0 V
Design Code	B
Drip Cover	No Drip Cover
Duty Rating	CONT
Efficiency @ 100% Load	85.5 %
Electrically Isolated Bearing	Not Electrically Isolated
Feedback Device	NO FEEDBACK
Front Face Code	Standard
Front Shaft Indicator	None
Heater Indicator	No Heater
High Voltage Full Load Amps	2.0 a
Insulation Class	B

Part detail

Revision	H
Type	AC
Mech. spec.	35T921
Base	
Status	PRD/A
Elec. spec.	35WGM831
Layout	35LYT921
Eff. date	04-30-2024
CD Diagram	CD0006
Poles	02
Leads	3#18
Proprietary	False
Created date	08-14-2015

Inverter Code	Inverter Ready
KVA Code	M
Lifting Lugs	No Lifting Lugs
Locked Bearing Indicator	Locked Bearing
Motor Lead Exit	Ko Box
Motor Lead Quantity/Wire Size	3 @ 18 AWG
Motor Lead Termination	Flying Leads
Motor Standards	NEMA
Motor Type	3526M
Mounting Arrangement	F1
Number of Poles	2
Overall Length	15.41 IN
Power Factor	88
Product Family	General Purpose
Pulley End Bearing Type	Ball
Pulley Face Code	C-Face
Pulley Shaft Indicator	Tapped & Key
Rodent Screen	None
RoHS Status	ROHS COMPLIANT
Service Factor	1.15
Shaft Diameter	0.875 IN
Shaft Extension Location	Pulley End
Shaft Ground Indicator	No Shaft Grounding
Shaft Rotation	Reversible
Shaft Slinger Indicator	Shaft Slinger
Speed	3490 rpm
Speed Code	Single Speed
Starting Method	Direct on line
Thermal Device - Bearing	None
Thermal Device - Winding	None
Vibration Sensor Indicator	No Vibration Sensor
Winding Thermal 1	None
Winding Thermal 2	None

Nameplate

NP3441L									
CAT.NO.	EJMM3555T-5								
SPEC.	35T921M831G1								
HP	2								
VOLTS	575								
AMP	2								
RPM	3490								
FRAME	145JM		HZ	60		PH	3		
SER.F.	1.15	CODE	M	DES	B	CL	B		
NEMA-NOM-EFF	85.5	PF	88						
RATING	40C AMB-CONT								
CC	010A								
DE	6206		ODE	6203					
ENCL	TEFC	SN							
VPWM INVERTER READY									
CT6-60H(10:1)VT3-60H(20:1)									

AC Induction Motor Performance Data

Record # 52215

Typical performance - not guaranteed values

Winding: 35WGM831-R011		Type: 3526M	Enclosure: TEFC
Nameplate Data		575 V, 60 Hz: Single Voltage Motor	
Rated Output (HP)	2	Full Load Torque	2.98 LB-FT
Volts	575	Start Configuration	direct on line
Full Load Amps	2	Breakdown Torque	14.4 LB-FT
R.P.M.	3490	Pull-up Torque	6.42 LB-FT
Hz	60 Phase	Locked-rotor Torque	11.4 LB-FT
NEMA Design Code	B KVA Code	Starting Current	21 A
Service Factor (S.F.)	1.15	No-load Current	0.745 A
NEMA Nom. Eff.	85.5 Power Factor	Line-line Res. @ 25°C	10.7 Ω
Rating - Duty	40C AMB-CONT	Temp. Rise @ Rated Load	44°C
S.F. Amps		Temp. Rise @ S.F. Load	52°C
		Locked-rotor Power Factor	50.1
		Rotor inertia	0.0719 LB-FT ²

Load Characteristics 575 V, 60 Hz, 2 HP

% of Rated Load	25	50	75	100	125	150	S.F.
Power Factor	54	74	84	88	90	91	89
Efficiency	73.3	83.6	85.6	86.3	85.7	84.7	85.9
Speed	3572	3547	3521	3493	3463	3428	3475
Line amperes	0.895	1.19	1.55	1.96	2.4	2.89	2.22

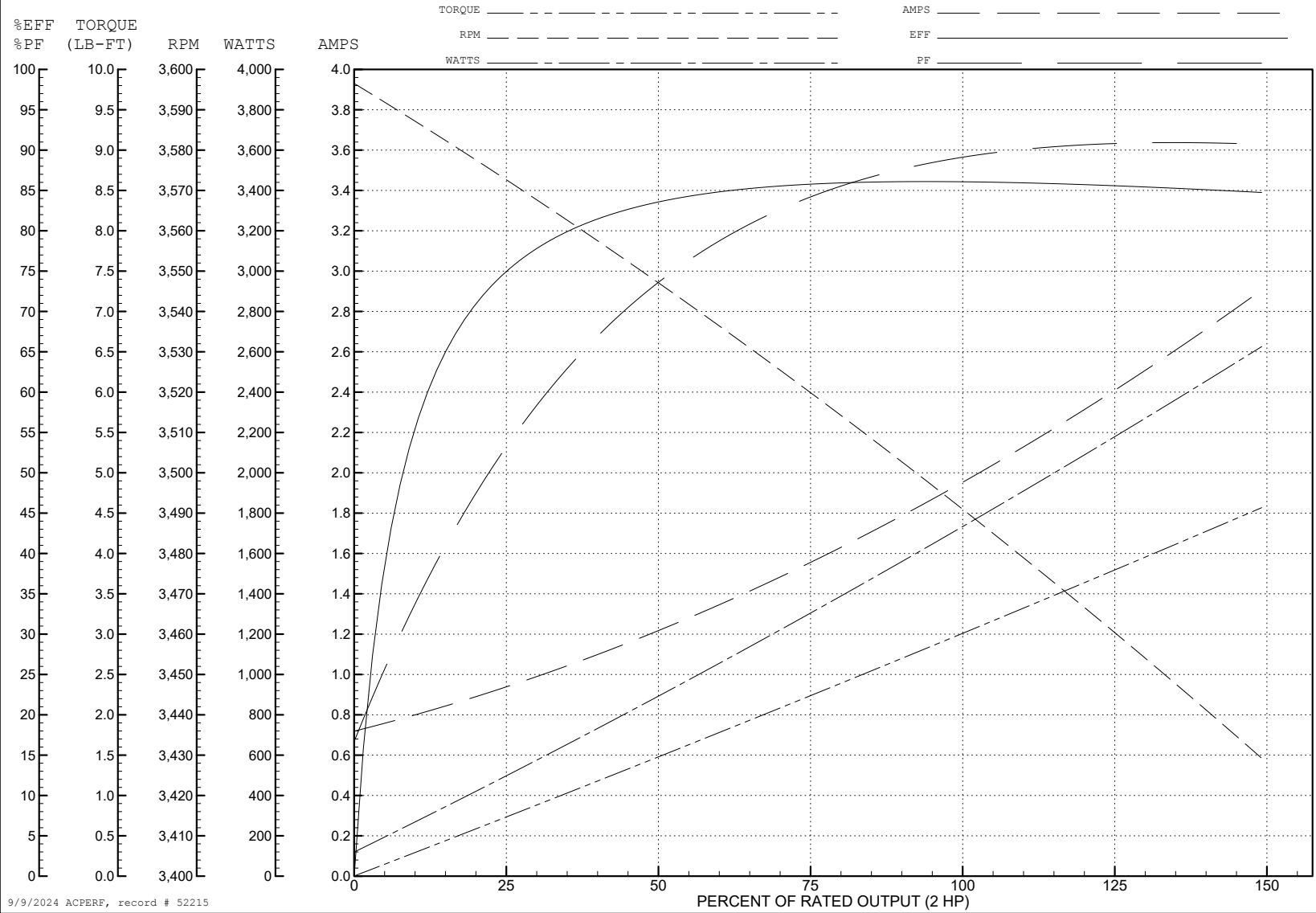
ABB Motors and Mechanical Inc.

WINDING # 35WGM831

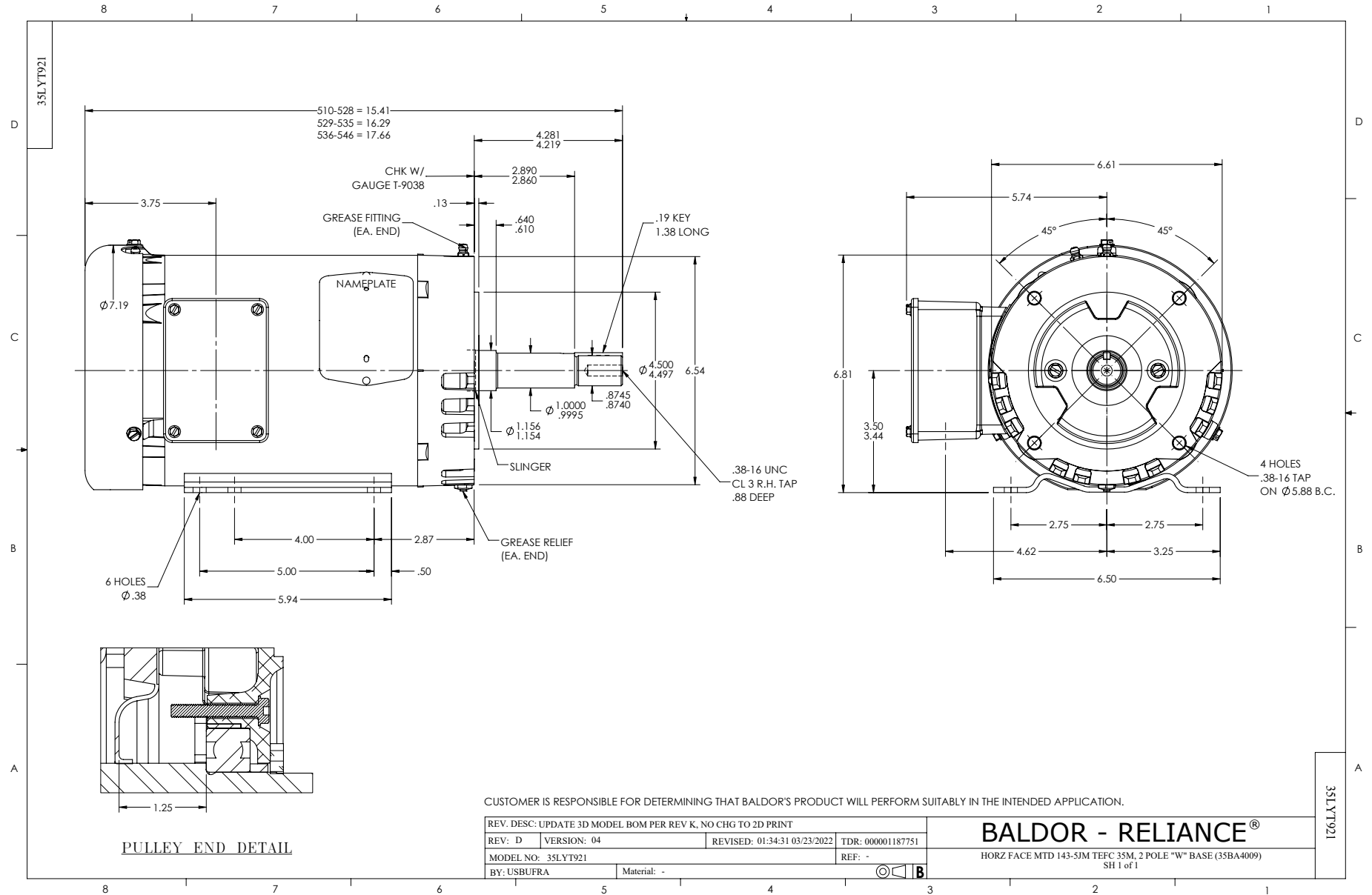
Typical performance - not guaranteed values.

2 HP 3 PH 60 HZ 3490 RPM 575 V 3526M

TORQUES (LB-FT): PO=14.4 PU=6.42 LR=11.4 LRA=21



9/9/2024 ACPERF, record # 52215



CD0006



NOTES:

1. THREE LEAD MOTOR MAY BE EITHER WYE CONNECTED OR DELTA CONNECTED.
2. INTERCHANGE ANY TWO LINE LEADS TO REVERSE ROTATION.
3. OPTIONAL THERMOSTATS ARE PROVIDED WHEN SPECIFIED.
4. ACTUAL NUMBER OF INTERNAL PARALLEL CIRCUITS MAY VARY.
5. LEAD COLORS ARE OPTIONAL. LEADS MUST BE NUMBERED AS SHOWN.

CD0006

REV. DESC: ADD CLASS CONN00000007		
REV. LTR: E	VERSION: 01	TDR: 000001099922
FILE: \AAA\00005\141	REVISED: 10:24:49 02/19/2019	BY: ENBRIRO
MTL: -	© □	

BALDOR - RELIANCE®

3PH, SV, 3 LEADS, WYE OR DELTA CONNECTED

SH 1 of 1