

BALDOR® • RELIANCE®

Customer information packet

EJMM2506T

7.5HP, 1180RPM, 3PH, 60HZ, 254JM, 3950M, OPSB

Class - None

Division - Not Applicable

Copyright © All product information within this document is subject to ABB Motors and Mechanical Inc. copyright © protection, unless otherwise noted.

4/1/2023 1:59:14 AM

Specifications

Enclosure	OPSB
Frame	254JM
Frame Material	Steel
Frequency	60.00 Hz
Motor Letter Type	Three Phase
Output @ Frequency	7.500 HP @ 60 HZ
Phase	3
Synchronous Speed @ Frequency	1200 RPM @ 60 HZ
Voltage @ Frequency	230.0 V @ 60 HZ 460.0 V @ 60 HZ
XP Class and Group	None
XP Division	Not Applicable
Agency Approvals	CSA EEV NEMA PREMIUM UR
Ambient Temperature	40 °C
Auxillary Box	No Auxillary Box
Auxillary Box Lead Termination	None
Base Indicator	Rigid
Bearing Grease Type	Polyrex EM (-20F +300F)
Blower	None
Current @ Voltage	11.400 A @ 460.0 V 22.800 A @ 230.0 V 24.000 A @ 208.0 V
Design Code	A
Drip Cover	No Drip Cover
Duty Rating	CONT
Efficiency @ 100% Load	90.2 %
Electrically Isolated Bearing	Not Electrically Isolated
Feedback Device	NO FEEDBACK
Heater Indicator	No Heater
High Voltage Full Load Amps	11.4 a

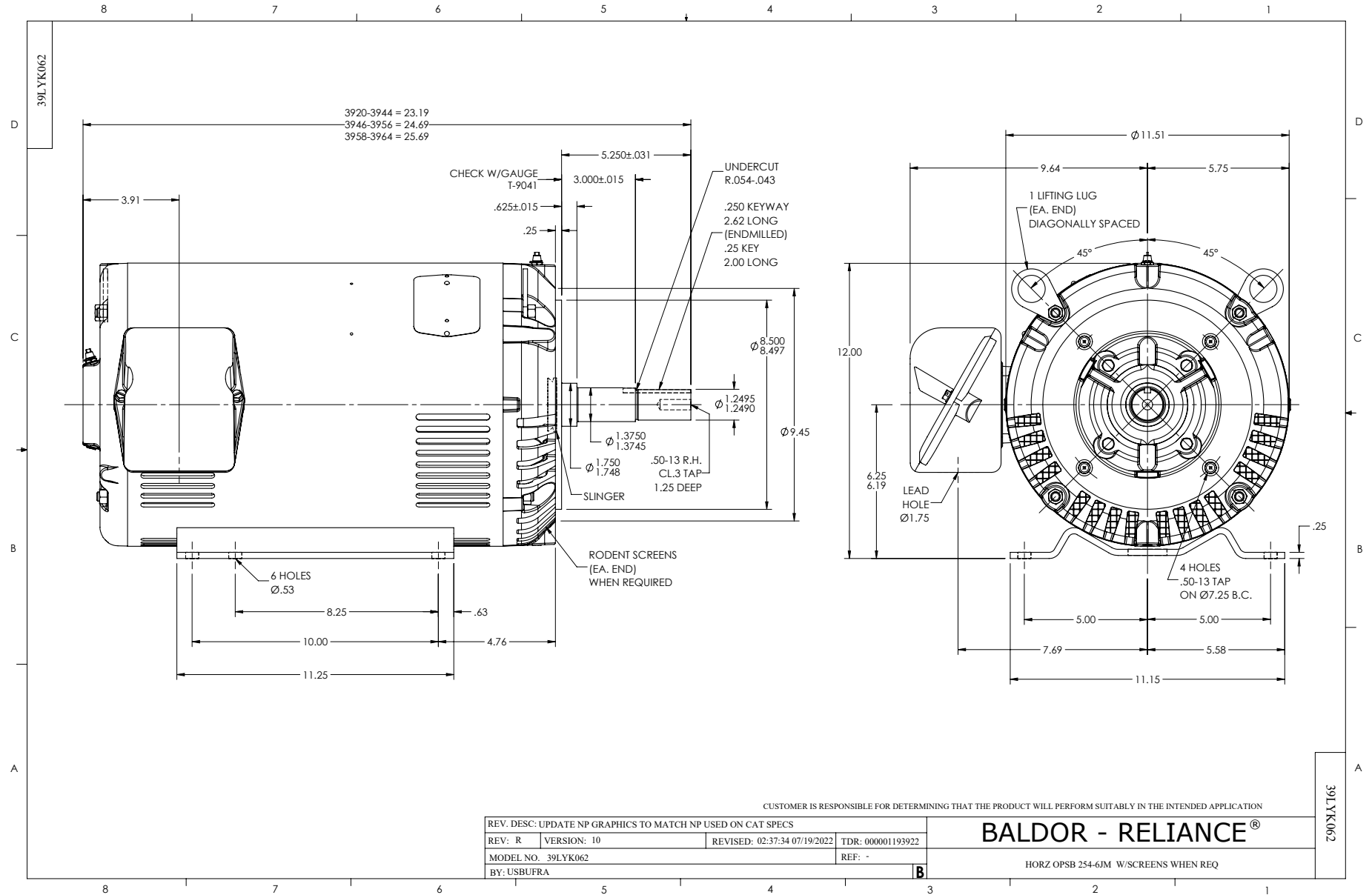
Part detail

Revision	D
Type	AC
Mech. spec.	
Base	
Status	PRD/A
Elec. spec.	39WGX747
Layout	39LYK062
Eff. date	02-07-2023
CD Diagram	CD0180
Poles	06
Leads	9#12
Proprietary	False
Created date	02-12-2021

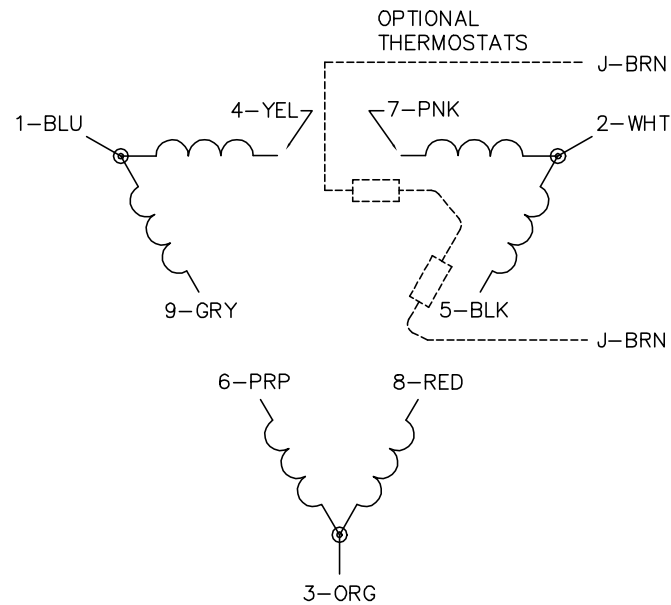
Insulation Class	F
Inverter Code	Inverter Ready
KVA Code	K
Lifting Lugs	Standard Lifting Lugs
Locked Bearing Indicator	Locked Bearing
Motor Lead Termination	Flying Leads
Motor Standards	NEMA
Motor Type	3950M
Mounting Arrangement	F1
Number of Poles	6
Overall Length	24.69 IN
Power Factor	68
Product Family	General Purpose
Pulley Face Code	C-Face
Rodent Screen	Included
Service Factor	1.15
Shaft Diameter	1.250 IN
Shaft Ground Indicator	No Shaft Grounding
Shaft Rotation	Reversible
Speed	1180 rpm
Speed Code	Single Speed
Starting Method	Direct on line
Thermal Device - Bearing	None
Thermal Device - Winding	None
Vibration Sensor Indicator	No Vibration Sensor
Winding Thermal 1	None
Winding Thermal 2	None

Nameplate

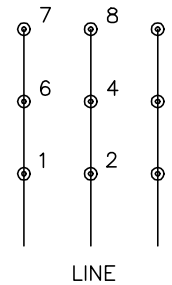
NP1259LUA									
CAT.NO.	EJMM2506T								
SPEC.	39-0000-0374								
HP	7.5								
VOLTS	230/460								
AMPS	22.8/11.4								
R.P.M.	1180								
FRAME	254JM	HZ	60	PH	3				
SER.F.	1.15	CODE	K	DES	A	CLASS	F		
NEMA NOM. EFF.	90.2	P.F.	68						
RATING	40C AMB-CONT								
CC	010A	USABLE AT 208V					24		
DE	6309	ODE	6208						
ENCL	OPSB	SN							
USABLE AT	50HZ 7.5HP 190/380V 26.4/13.2A								SF1.0



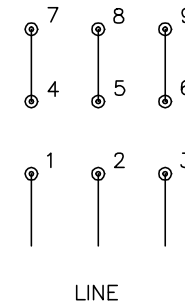
CD0180



LOW VOLTAGE
(2D)



HIGH VOLTAGE
(1D)



NOTES:

1. INTERCHANGE ANY TWO LINE LEADS TO REVERSE ROTATION.
2. OPTIONAL THERMOSTATS ARE PROVIDED WHEN SPECIFIED.
3. ACTUAL NUMBER OF INTERNAL PARALLEL CIRCUITS MAY BE A MULTIPLE OF THOSE SHOWN ABOVE.
4. LEAD COLORS ARE OPTIONAL. LEADS MUST ALWAYS BE NUMBERED AS SHOWN.

CD0180

REV. DESC: ADD CLASS CONN00000007		
REV. LTR: D	VERSION: 01	TDR: 000001099922
FILE: \AAA\00005\148	REVISED: 10: 25: 29 02/19/2019	BY: ENBRIRO
MTL: -	© □	

BALDOR - RELIANCE®

3PH, DV, 9 LEADS, DELTA CONNECTION

SH 1 of 1