

**BALDOR • RELIANCE**

---

# Customer information packet

## EJM3555-5

2HP, 3490RPM, 3PH, 60HZ, 56J, 3526M, TEFC, F1, N

Class - None

Division - Not Applicable

Copyright © All product information within this document is subject to ABB Motors and Mechanical Inc. copyright © protection, unless otherwise noted.

4/1/2023 3:27:28 AM

## Specifications

Enclosure	TEFC
Frame	56J
Frame Material	Steel
Frequency	60.00 Hz
Motor Letter Type	Three Phase
Output @ Frequency	2.000 HP @ 60 HZ
Phase	3
Synchronous Speed @ Frequency	3600 RPM @ 60 HZ
Voltage @ Frequency	575.0 V @ 60 HZ
XP Class and Group	None
XP Division	Not Applicable
Agency Approvals	CSA EEV CSA UR
Ambient Temperature	40 °C
Auxillary Box	No Auxillary Box
Auxillary Box Lead Termination	None
Base Indicator	No Mounting
Bearing Grease Type	Polyrex EM (-20F +300F)
Blower	None
Current @ Voltage	2.000 A @ 575.0 V
Design Code	B
Drip Cover	No Drip Cover
Duty Rating	CONT
Efficiency @ 100% Load	85.5 %
Electrically Isolated Bearing	Not Electrically Isolated
Feedback Device	NO FEEDBACK
Front Face Code	Standard
Front Shaft Indicator	None
Heater Indicator	No Heater
High Voltage Full Load Amps	2.0 a
Insulation Class	B

## Part detail

Revision	F
Type	AC
Mech. spec.	35F084
Base	
Status	PRD/A
Elec. spec.	35WGM831
Layout	35LYF084
Eff. date	06-13-2018
CD Diagram	CD0006
Poles	02
Leads	3#18
Proprietary	False
Created date	07-07-2016

<b>Inverter Code</b>	Inverter Ready
<b>KVA Code</b>	M
<b>Lifting Lugs</b>	No Lifting Lugs
<b>Locked Bearing Indicator</b>	Locked Bearing
<b>Motor Lead Exit</b>	Ko Box
<b>Motor Lead Quantity/Wire Size</b>	3 @ 18 AWG
<b>Motor Lead Termination</b>	Flying Leads
<b>Motor Standards</b>	NEMA
<b>Motor Type</b>	3526M
<b>Mounting Arrangement</b>	F1
<b>Number of Poles</b>	2
<b>Overall Length</b>	13.74 IN
<b>Power Factor</b>	88
<b>Product Family</b>	General Purpose
<b>Pulley End Bearing Type</b>	Ball
<b>Pulley Face Code</b>	C-Face
<b>Pulley Shaft Indicator</b>	Ext Thread
<b>Rodent Screen</b>	None
<b>RoHS Status</b>	ROHS COMPLIANT
<b>Service Factor</b>	1.20
<b>Shaft Diameter</b>	0.625 IN
<b>Shaft Extension Location</b>	Pulley End
<b>Shaft Ground Indicator</b>	No Shaft Grounding
<b>Shaft Rotation</b>	Reversible
<b>Shaft Slinger Indicator</b>	No Slinger
<b>Speed</b>	3490 rpm
<b>Speed Code</b>	Single Speed
<b>Starting Method</b>	Direct on line
<b>Thermal Device - Bearing</b>	None
<b>Thermal Device - Winding</b>	None
<b>Vibration Sensor Indicator</b>	No Vibration Sensor
<b>Winding Thermal 1</b>	None
<b>Winding Thermal 2</b>	None

**Nameplate**

<b>NP1259L</b>									
<b>CAT.NO.</b>	EJM3555-5								
<b>SPEC.</b>	35F084M831G1								
<b>HP</b>	2								
<b>VOLTS</b>	575								
<b>AMP</b>	2								
<b>RPM</b>	3490								
<b>FRAME</b>	56J		<b>HZ</b>	60		<b>PH</b>	3		
<b>SER.F.</b>	1.20	<b>CODE</b>	M	<b>DES</b>	B	<b>CL</b>	B		
<b>NEMA-NOM-EFF</b>	85.5	<b>PF</b>	88						
<b>RATING</b>	40C AMB-CONT								
<b>CC</b>	010A		<b>USABLE AT 208V</b>						
<b>DE</b>	6205		<b>ODE</b>	6203					
<b>ENCL</b>	TEFC	<b>SN</b>							
	SFA 2.3								

**AC Induction Motor Performance Data**

Record # 91381

Typical performance - not guaranteed values

Winding: 35WGM831-R018		Type: 3526M		Enclosure: TEFC	
<b>Nameplate Data</b>			<b>575 V, 60 Hz: Single Voltage Motor</b>		
Rated Output (HP)		2	Full Load Torque		2.98 LB-FT
Volts		575	Start Configuration		direct on line
Full Load Amps		2	Breakdown Torque		14.4 LB-FT
R.P.M.		3490	Pull-up Torque		6.42 LB-FT
Hz	60 Phase	3	Locked-rotor Torque		11.4 LB-FT
NEMA Design Code	B KVA Code	M	Starting Current		21 A
Service Factor (S.F.)		1.2	No-load Current		0.745 A
NEMA Nom. Eff.	85.5 Power Factor	88	Line-line Res. @ 25°C		10.7 Ω
Rating - Duty	40C AMB-CONT		Temp. Rise @ Rated Load		44°C
S.F. Amps		2.3	Temp. Rise @ S.F. Load		54°C
			Locked-rotor Power Factor		50.1099
			Rotor inertia		0.0719 lb-ft <sup>2</sup>

**Load Characteristics 575 V, 60 Hz, 2 HP**

% of Rated Load	25	50	75	100	125	150	S.F.
Power Factor	54	74	84	88	90	91	90
Efficiency	73.2	83.6	85.5	86.3	85.6	84.6	85.7
Speed	3572	3547	3521	3493	3463	3428	3469
Line amperes	0.895	1.19	1.55	1.96	2.4	2.89	2.31

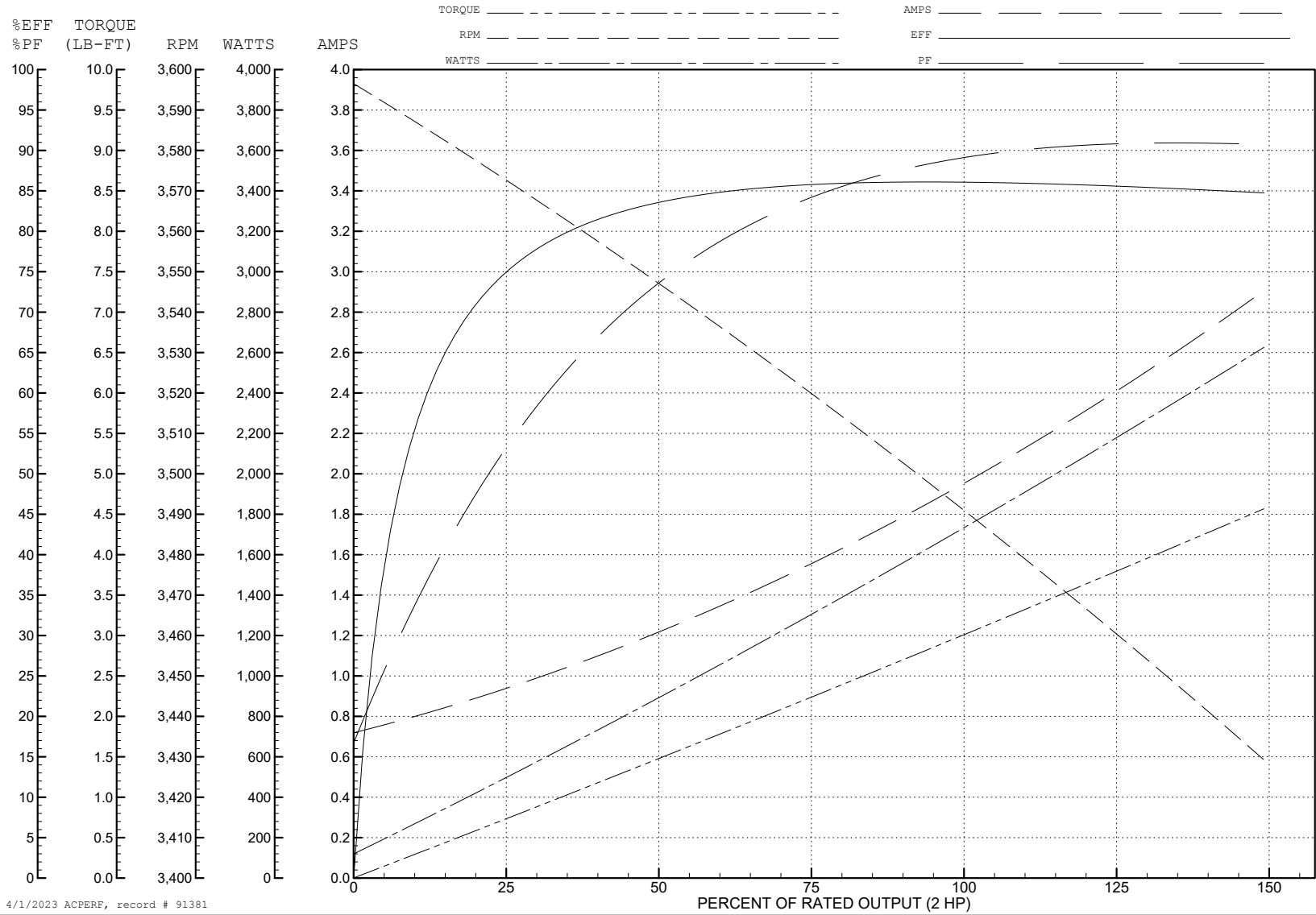
ABB Motors and Mechanical Inc.

WINDING # 35WGM831

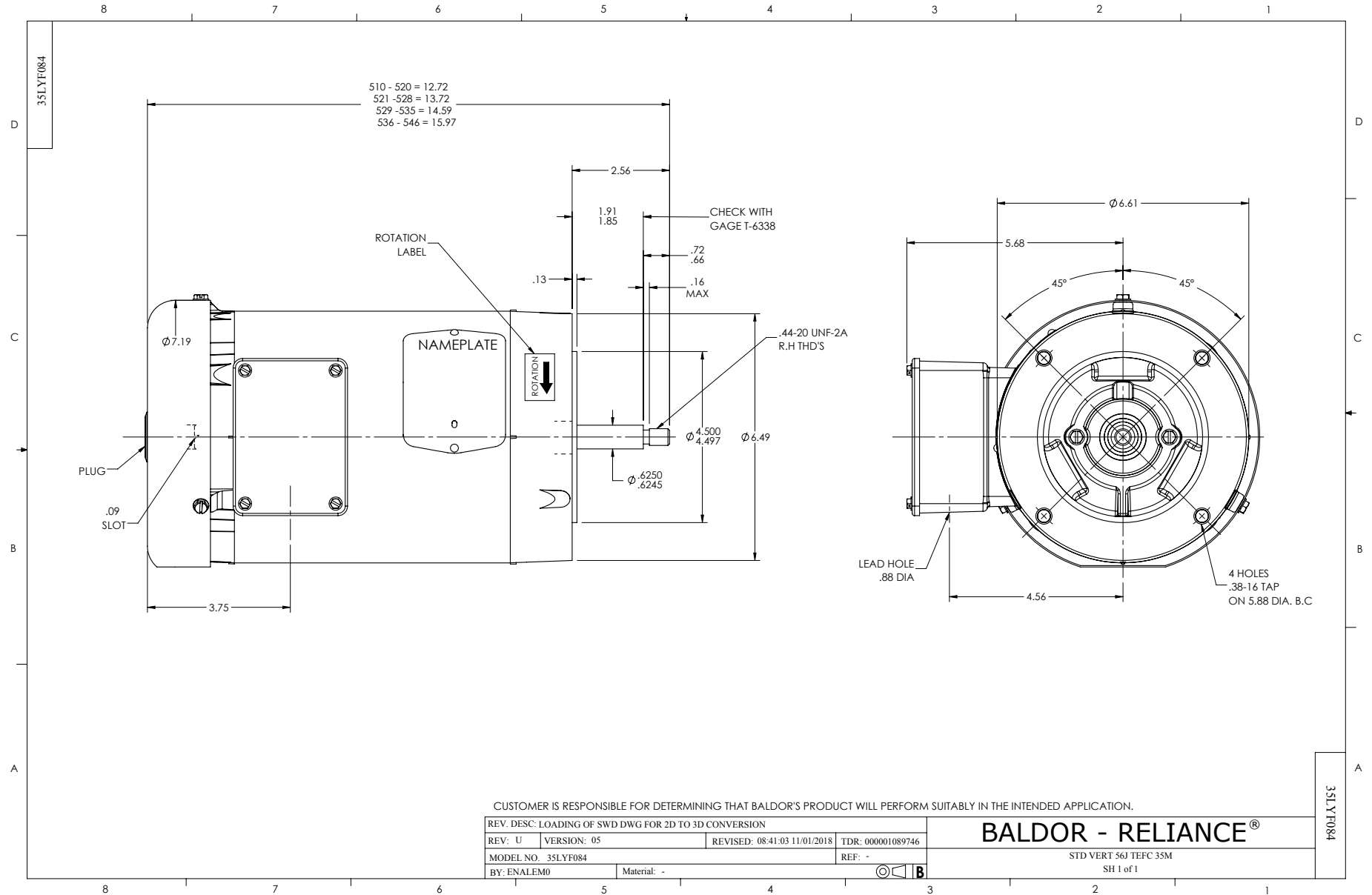
Typical performance - not guaranteed values.

2 HP 3 PH 60 HZ 3490 RPM 575 V 3526M

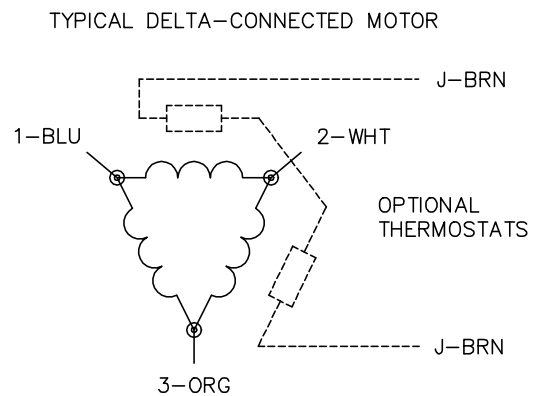
TORQUES (LB-FT): PO=14.4 PU=6.42 LR=11.4 LRA=21



4/1/2023 ACPERF, record # 91381



CD0006



NOTES:

1. THREE LEAD MOTOR MAY BE EITHER WYE CONNECTED OR DELTA CONNECTED.
2. INTERCHANGE ANY TWO LINE LEADS TO REVERSE ROTATION.
3. OPTIONAL THERMOSTATS ARE PROVIDED WHEN SPECIFIED.
4. ACTUAL NUMBER OF INTERNAL PARALLEL CIRCUITS MAY VARY.
5. LEAD COLORS ARE OPTIONAL. LEADS MUST BE NUMBERED AS SHOWN.

CD0006

REV. DESC: ADD CLASS CONN00000007		
REV. LTR: E	VERSION: 01	TDR: 000001099922
FILE: \AAA\00005\141	REVISED: 10:24:49 02/19/2019	BY: ENBRIRO
MTL: -	© □	

**BALDOR - RELIANCE®**

3PH, SV, 3 LEADS, WYE OR DELTA CONNECTED

SH 1 of 1