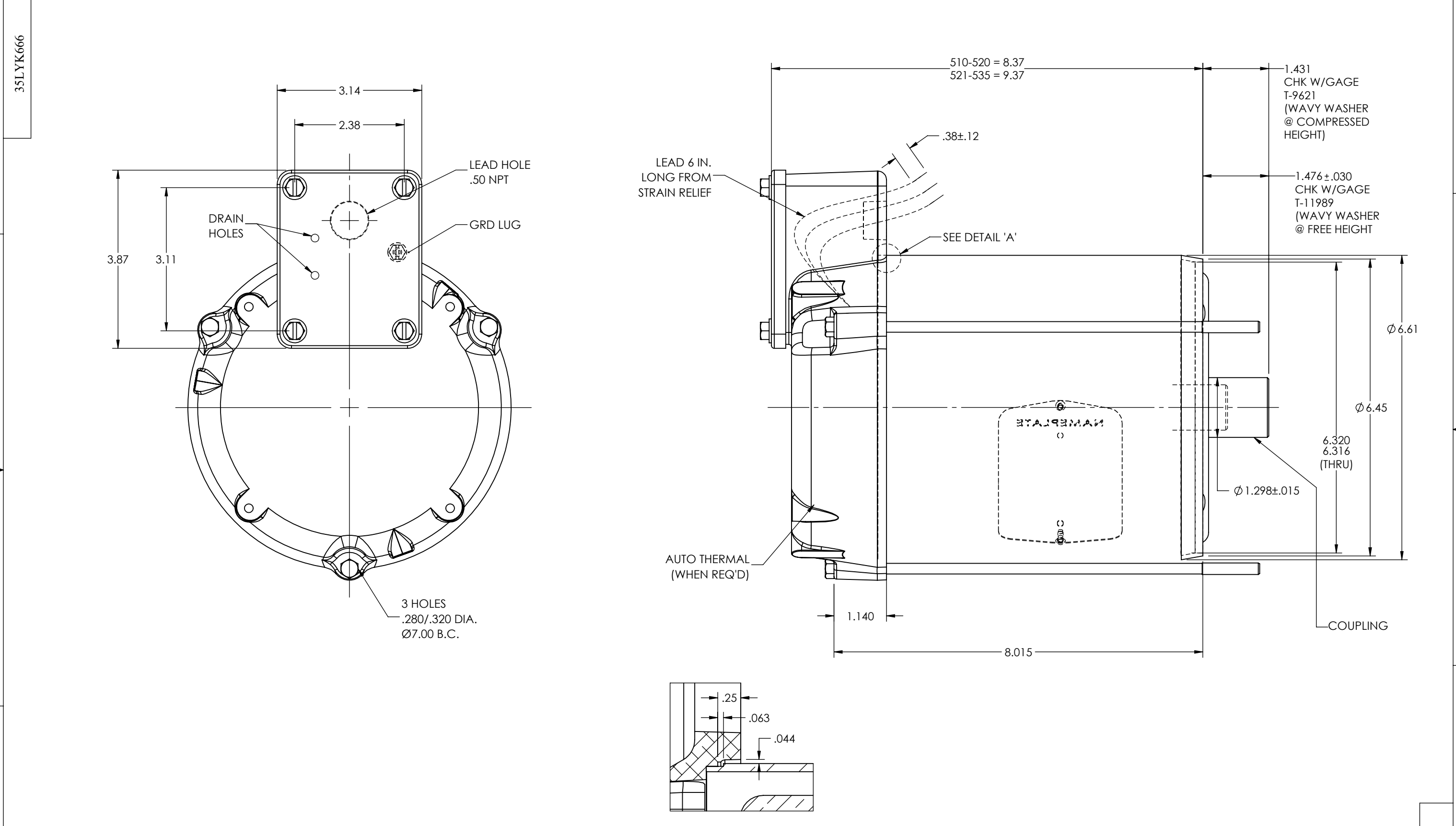


8 7 6 5 4 3 2 1



DETAIL 'A'

CUSTOMER IS RESPONSIBLE FOR DETERMINING THAT THE PRODUCT WILL PERFORM SUITABLY IN THE INTENDED APPLICATION

REV. DESC: SHOW THRU RABBET ON LAYOUT			
REV: H	VERSION: 04	REVISED: 03:00:50 03/02/2026	TDR: 000001273044
MODEL NO. 35LYK666			REF: -
BY: ENBILT0			B

BALDOR - RELIANCE®

VERT 56YZ TENV 35M W/SHAFT COUPLING (HA2211)

35LYK666

35LYK666

8 7 6 5 4 3 2 1