

**BALDOR • RELIANCE**

---

# Customer information packet

## EHM4110T

40HP, 1775RPM, 3PH, 60HZ, 324T, 1264M, TEFC, F1

Class - None

Division - Not Applicable

## Specifications

Enclosure	TEFC
Frame	324T
Frame Material	Iron
Frequency	60.00 Hz
Haz Area Class and Group	None
Haz Area Division	Not Applicable
Motor Letter Type	Three Phase
Output @ Frequency	40.000 HP @ 60 HZ
Phase	3
Synchronous Speed @ Frequency	1800 RPM @ 60 HZ
Voltage @ Frequency	460.0 V @ 60 HZ 230.0 V @ 60 HZ
Agency Approvals	CSA CSA EEV UR
Ambient Temperature	40 °C
Auxillary Box	No Auxillary Box
Auxillary Box Lead Termination	None
Base Indicator	Rigid
Bearing Grease Type	Polyrex EM (-20F +300F)
Blower	None
Current @ Voltage	48.000 A @ 460.0 V 96.000 A @ 230.0 V 102.000 A @ 208.0 V
Design Code	A
Drip Cover	No Drip Cover
Duty Rating	CONT
Efficiency @ 100% Load	94.1 %
Electrically Isolated Bearing	Not Electrically Isolated
Feedback Device	NO FEEDBACK
Front Face Code	Standard
Front Shaft Indicator	None

## Part detail

Revision	V
Type	AC
Mech. spec.	12G122
Base	
Status	PRD/A
Elec. spec.	12WGY225
Layout	12LYG122
Eff. date	02-17-2025
CD Diagram	CD0180
Poles	04
Leads	9#8
Proprietary	False
Created date	12-05-2011

Heater Indicator	No Heater
High Voltage Full Load Amps	48.0 a
Insulation Class	F
Inverter Code	Inverter Ready
KVA Code	J
Lifting Lugs	Standard Lifting Lugs
Locked Bearing Indicator	Locked Bearing
Motor Lead Exit	Ko Box
Motor Lead Quantity/Wire Size	9 @ 8 AWG
Motor Lead Termination	Flying Leads
Motor Standards	NEMA
Motor Type	1264M
Mounting Arrangement	F1
Number of Poles	4
Overall Length	30.28 IN
Power Factor	82
Product Family	General Purpose
Pulley End Bearing Type	Ball
Pulley Face Code	Standard
Pulley Shaft Indicator	Standard
Rodent Screen	None
Service Factor	1.15
Shaft Diameter	2.125 IN
Shaft Extension Location	Pulley End
Shaft Ground Indicator	Mounting Provisions Only
Shaft Rotation	Reversible
Shaft Slinger Indicator	No Slinger
Speed	1775 rpm
Speed Code	Single Speed
Starting Method	Direct on line
Thermal Device - Bearing	NONE (OLD)
Thermal Device - Winding	None
Vibration Sensor Indicator	No Vibration Sensor
Winding Thermal 1	None

**Winding Thermal 2**

**None**

---

**Nameplate**

**NP2138L**

<b>CAT.NO.</b>	EHM4110T	<b>P/N</b>		<b>ENCLOSURE</b>	TEFC
<b>SPEC.</b>	12G122Y225G1	<b>CC</b>	010A	<b>FRAME</b>	324T
<b>HP</b>	40	<b>CLASS</b>	F	<b>HZ</b>	60
<b>RPM</b>	1775	<b>PH</b>	3	<b>DES</b>	A
<b>VOLT</b>	230/460	<b>KVA-CODE</b>	J	<b>ODE BRG</b>	6311
<b>AMP</b>	96/48	<b>DE BRG</b>	6312		
<b>RATING</b>	40C AMB-CONT	<b>GREASE</b>	POLYREX EM		
<b>NEMA-NOM-EFF</b>	94.1	<b>PF</b>	82	<b>SER.F.</b>	1.15
<b>HTR-VOLTS</b>		<b>HTR-AMPS</b>			

**AC Induction Motor Performance Data**

Record # 53033

Typical performance - not guaranteed values

<b>Winding: 12WGY225-R002</b>		<b>Type: 1264M</b>		<b>Enclosure: TEFC</b>	
<b>Nameplate Data</b>			<b>460 V, 60 Hz: High Voltage Connection</b>		
<b>Rated Output (HP)</b>	40	<b>Full Load Torque</b>	118 LB-FT		
<b>Volts</b>	230/460	<b>Start Configuration</b>	direct on line		
<b>Full Load Amps</b>	96/48	<b>Breakdown Torque</b>	413 LB-FT		
<b>R.P.M.</b>	1775	<b>Pull-up Torque</b>	192 LB-FT		
<b>Hz</b>	60 <b>Phase</b>	3	<b>Locked-rotor Torque</b>	205 LB-FT	
<b>NEMA Design Code</b>	<b>A KVA Code</b>	J	<b>Starting Current</b>	370 A	
<b>Service Factor (S.F.)</b>		1.15	<b>No-load Current</b>	20.3 A	
<b>NEMA Nom. Eff.</b>	94.1 <b>Power Factor</b>	82	<b>Line-line Res. @ 25°C</b>	0.112 Ω	
<b>Rating - Duty</b>	40C AMB-CONT		<b>Temp. Rise @ Rated Load</b>	49°C	
<b>S.F. Amps</b>			<b>Temp. Rise @ S.F. Load</b>	58°C	
			<b>Locked-rotor Power Factor</b>	26	
			<b>Rotor inertia</b>	8.53 LB-FT <sup>2</sup>	

**Load Characteristics 460 V, 60 Hz, 40 HP**

<b>% of Rated Load</b>	<b>25</b>	<b>50</b>	<b>75</b>	<b>100</b>	<b>125</b>	<b>150</b>	<b>S.F.</b>
<b>Power Factor</b>	45	66	76	82	83	85	83
<b>Efficiency</b>	89.8	93.7	94.6	94.8	94.3	94.2	94.5
<b>Speed</b>	1796	1791	1787	1783	1778	1772	1780
<b>Line amperes</b>	23.6	30.7	39.2	48.5	59.2	69.8	54.9

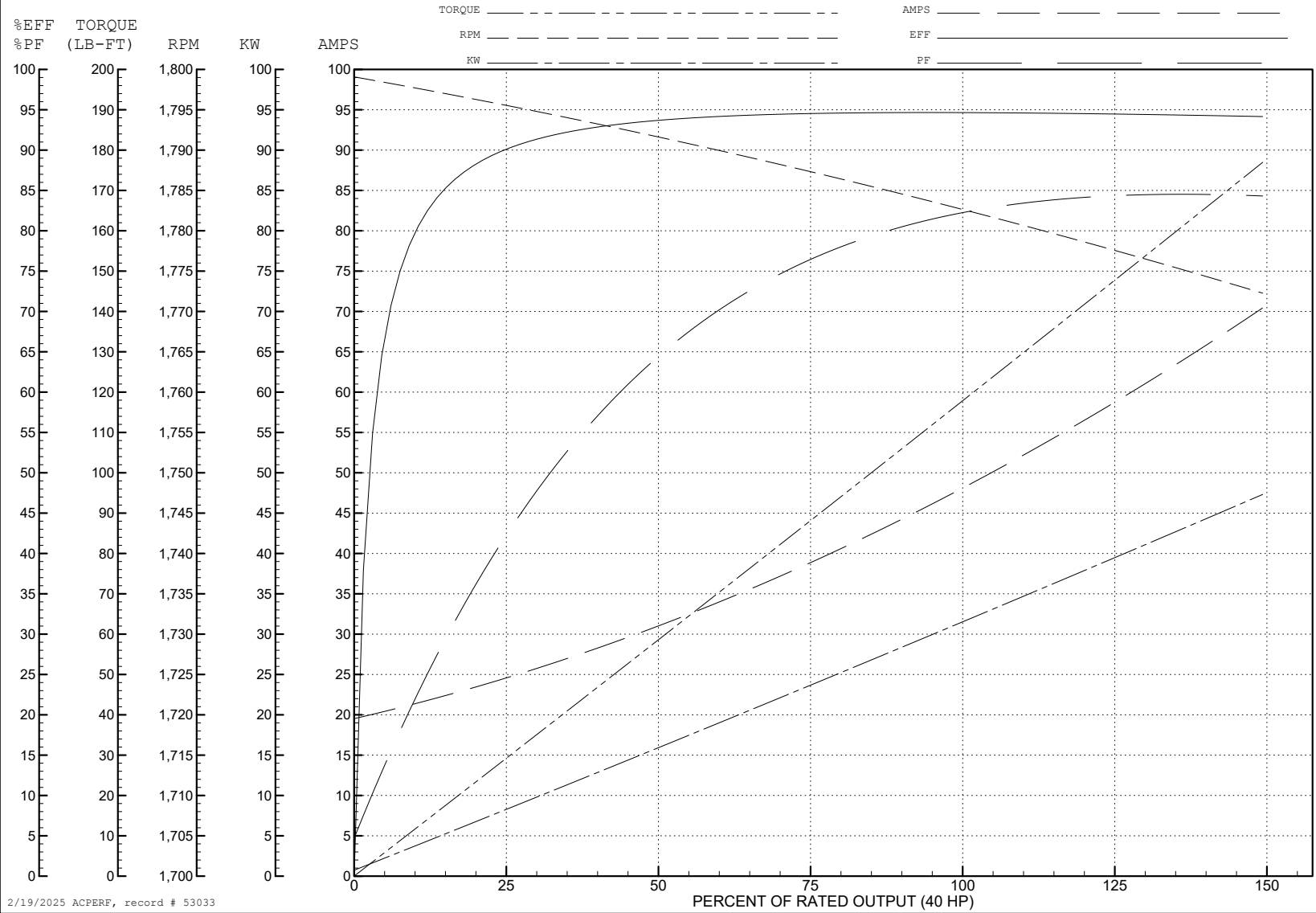
ABB Motors and Mechanical Inc.

WINDING # 12WGY225

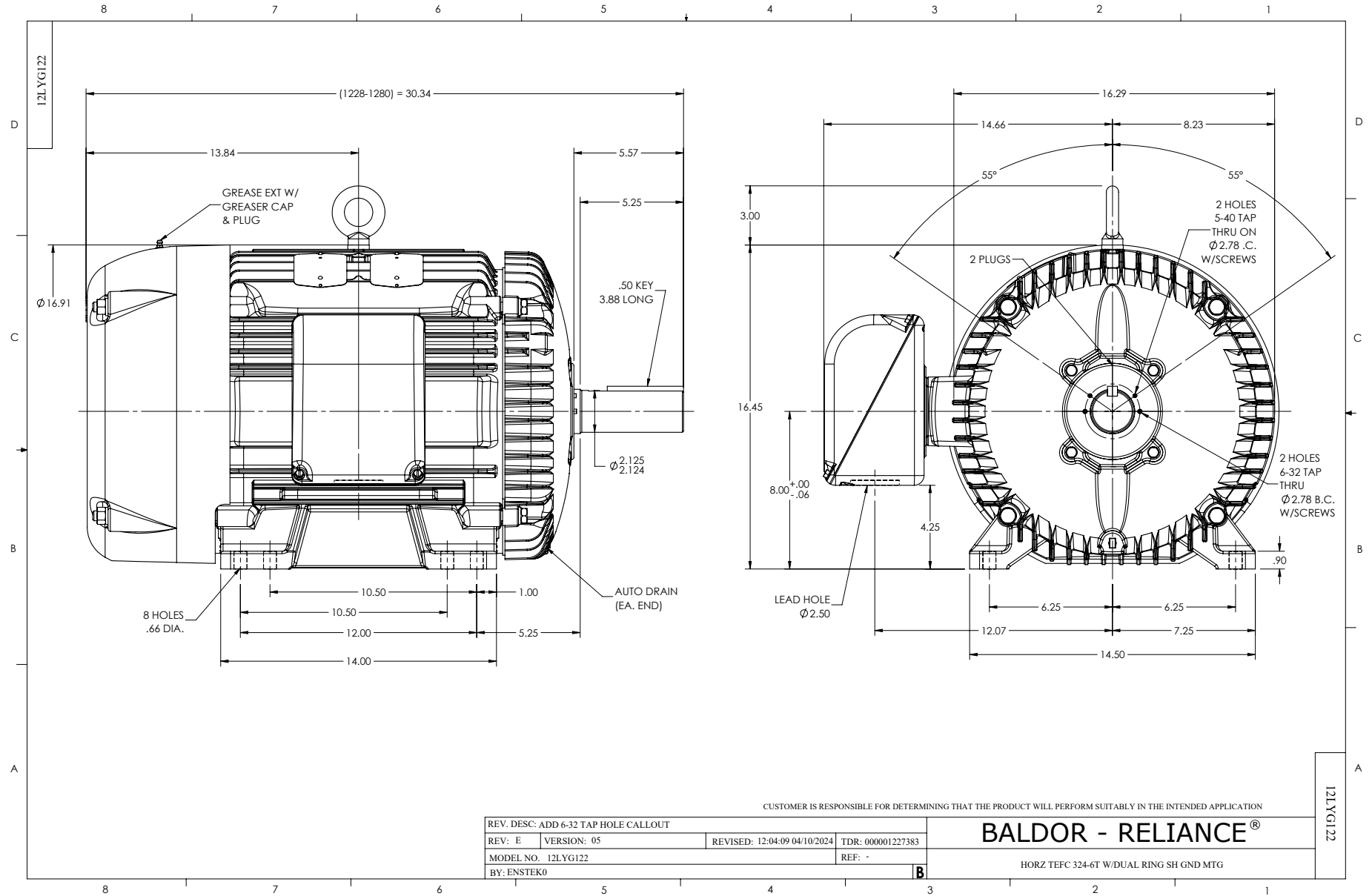
Typical performance - not guaranteed values.

40 HP 3 PH 60 HZ 1775 RPM 460 V 1264M

TORQUES (LB-FT): PO=413 PU=192 LR=205 LRA=370



2/19/2025 ACPERF, record # 53033



CUSTOMER IS RESPONSIBLE FOR DETERMINING THAT THE PRODUCT WILL PERFORM SUITABLY IN THE INTENDED APPLICATION

REV. DESC: ADD 6-32 TAP HOLE CALLOUT			
REV: E	VERSION: 05	REVISED: 12:04:09 04/10/2024	TDR: 000001227383
MODEL NO. 12LYG122		REF: -	
BY: ENSTEK0			

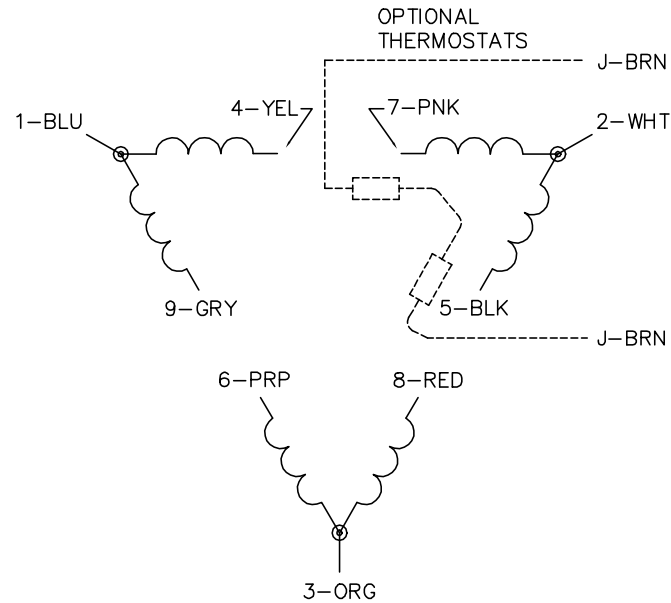
**BALDOR - RELIANCE**®

HORZ TEFC 324-6T W/DUAL RING SH GND MTG

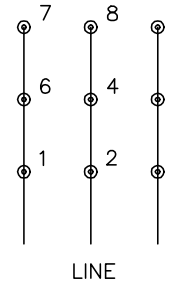
12LYG122



CD0180



LOW VOLTAGE  
(2D)



HIGH VOLTAGE  
(1D)



NOTES:

1. INTERCHANGE ANY TWO LINE LEADS TO REVERSE ROTATION.
2. OPTIONAL THERMOSTATS ARE PROVIDED WHEN SPECIFIED.
3. ACTUAL NUMBER OF INTERNAL PARALLEL CIRCUITS MAY BE A MULTIPLE OF THOSE SHOWN ABOVE.
4. LEAD COLORS ARE OPTIONAL. LEADS MUST ALWAYS BE NUMBERED AS SHOWN.

CD0180

REV. DESC: ADD CLASS CONN00000007		
REV. LTR: D	VERSION: 01	TDR: 000001099922
FILE: \AAA\00005\148	REVISED: 10: 25: 29 02/19/2019	BY: ENBRIRO
MTL: -	© □	

**BALDOR - RELIANCE®**

3PH, DV, 9 LEADS, DELTA CONNECTION

SH 1 of 1