



Customer information packet

EHM3554T-5

1.5HP, 1770RPM, 3PH, 60HZ, 145T, 3524M, TEFC, F

Class - None

Division - Not Applicable

Specifications

Enclosure	TEFC
Frame	145T
Frame Material	Steel
Frequency	60.00 Hz
Haz Area Class and Group	None
Haz Area Division	Not Applicable
Motor Letter Type	Three Phase
Output @ Frequency	1.500 HP @ 60 HZ
Phase	3
Synchronous Speed @ Frequency	1800 RPM @ 60 HZ
Voltage @ Frequency	575.0 V @ 60 HZ
Agency Approvals	CSA UR
Ambient Temperature	40 °C
Auxillary Box	No Auxillary Box
Auxillary Box Lead Termination	None
Base Indicator	Rigid
Bearing Grease Type	Polyrex EM (-20F +300F)
Blower	None
Current @ Voltage	1.700 A @ 575.0 V
Design Code	B
Drip Cover	No Drip Cover
Duty Rating	CONT
Efficiency @ 100% Load	86.5 %
Electrically Isolated Bearing	Not Electrically Isolated
Feedback Device	NO FEEDBACK
Front Shaft Indicator	None
Heater Indicator	No Heater
High Voltage Full Load Amps	1.7 a
Insulation Class	F
Inverter Code	Inverter Ready
KVA Code	L

Part detail

Revision	C
Type	AC
Mech. spec.	35Z141
Base	
Status	PRD/A
Elec. spec.	35WGG122
Layout	35LYZ141
Eff. date	06-06-2024
CD Diagram	CD0006
Poles	04
Leads	3#18
Proprietary	False
Created date	03-11-2022

Lifting Lugs	Standard Lifting Lugs
Locked Bearing Indicator	No Locked Bearing
Motor Lead Quantity/Wire Size	3 @ 18 AWG
Motor Lead Termination	Flying Leads
Motor Standards	NEMA
Motor Type	3524M
Mounting Arrangement	F1
Number of Poles	4
Overall Length	13.29 IN
Power Factor	77
Product Family	General Purpose
Pulley End Bearing Type	Ball
Pulley Face Code	Standard
Pulley Shaft Indicator	Standard
Rodent Screen	None
Service Factor	1.15
Shaft Diameter	0.875 IN
Shaft Ground Indicator	No Shaft Grounding
Shaft Rotation	Reversible
Shaft Slinger Indicator	No Slinger
Speed	1770 rpm
Speed Code	Single Speed
Starting Method	Direct on line
Thermal Device - Bearing	None
Thermal Device - Winding	None
Vibration Sensor Indicator	No Vibration Sensor
Winding Thermal 1	None
Winding Thermal 2	None

Nameplate

NP2094E06B03									
CAT.NO.	EHM3554T-5								
SPEC.	35Z141G122G1								
HP	1.5								
VOLTS	575								
AMPS	1.7								
RPM	1770								
FRAME	145T		HZ	60		PH	3		
SER.F.	1.15	CODE	M	DES	B	CL	F		
NEMA-NOM-EFF	86.5	PF	74						
RATING	40C AMB-CONT								
CC	010A		USABLE AT 208V				N/A		
DE	6205	ODE	6203						
AUTO	N	MANUAL	N	NONE	Y				
ENCL	TEFC	SN							
BLANK	SFA 1.9								

AC Induction Motor Performance Data

Record # 87553

Typical performance - not guaranteed values

Winding: 35WGG122-R001		Type: 3524M		Enclosure: TEFC	
Nameplate Data			575 V, 60 Hz: High Voltage Connection		
Rated Output (HP)	1.5	Full Load Torque	4.46 LB-FT		
Volts	575	Start Configuration	direct on line		
Full Load Amps	1.7	Breakdown Torque	17.4 LB-FT		
R.P.M.	1770	Pull-up Torque	9.2 LB-FT		
Hz	60 Phase	3	Locked-rotor Torque	11.3 LB-FT	
NEMA Design Code	B	KVA Code	L	Starting Current	14.8 A
Service Factor (S.F.)	1.15	No-load Current	1 A		
NEMA Nom. Eff.	86.5	Power Factor	77	Line-line Res. @ 25°C	18.8 Ω
Rating - Duty	40C AMB-CONT		Temp. Rise @ Rated Load	41°C	
S.F. Amps	1.9	Temp. Rise @ S.F. Load	49°C		
		Locked-rotor Power Factor	58.3		
		Rotor inertia	0.173 lb-ft ²		

Load Characteristics 575 V, 60 Hz, 1.5 HP

% of Rated Load	25	50	75	100	125	150	S.F.
Power Factor	36	56	69	77	82	85	81
Efficiency	76.7	84.6	86.5	86.7	85.9	84.7	86.1
Speed	1792	1786	1779	1770	1762	1753	1762
Line amperes	1.06	1.2	1.42	1.7	2.01	2.36	1.85

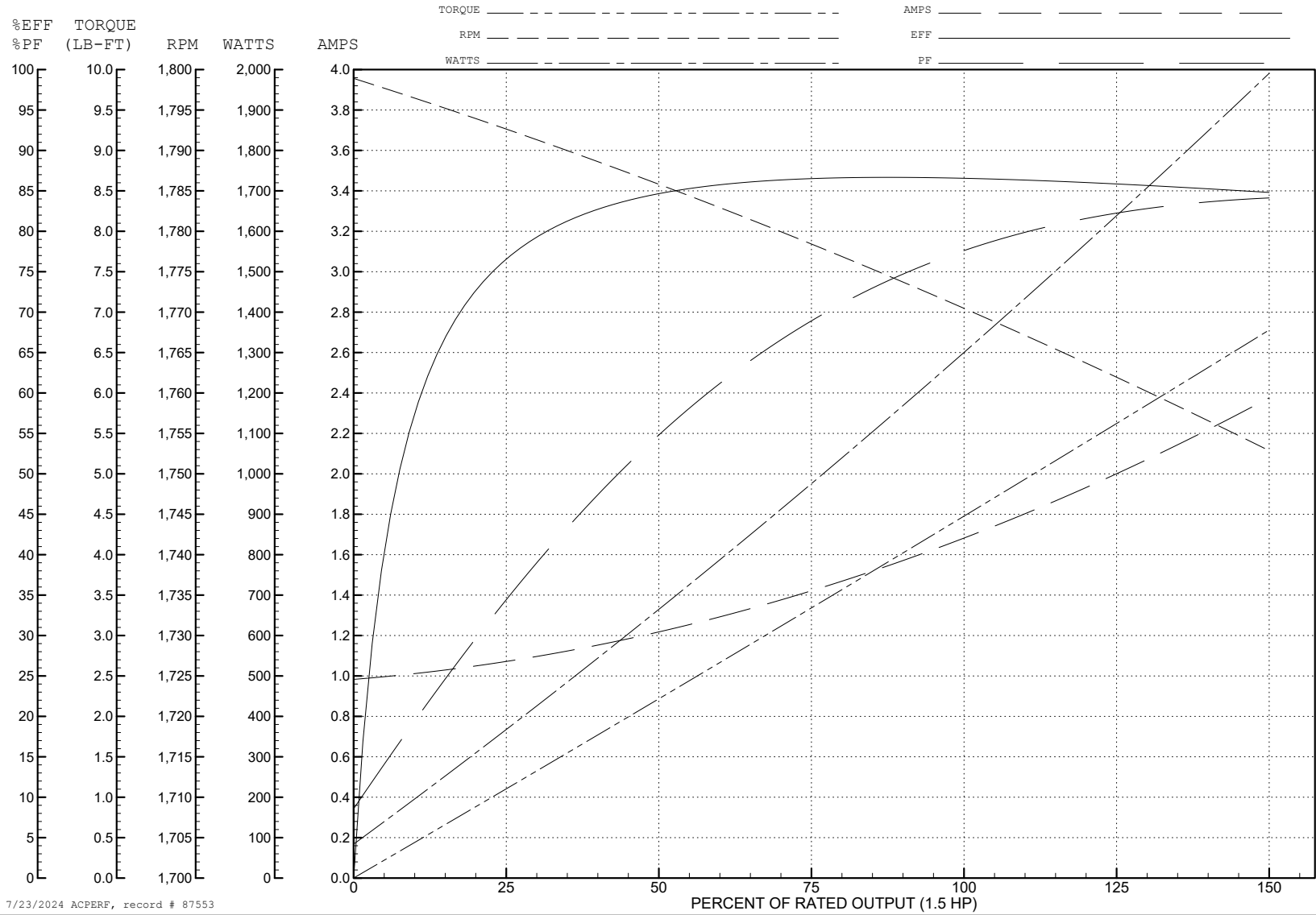
ABB Motors and Mechanical Inc.

WINDING # 35WGG122

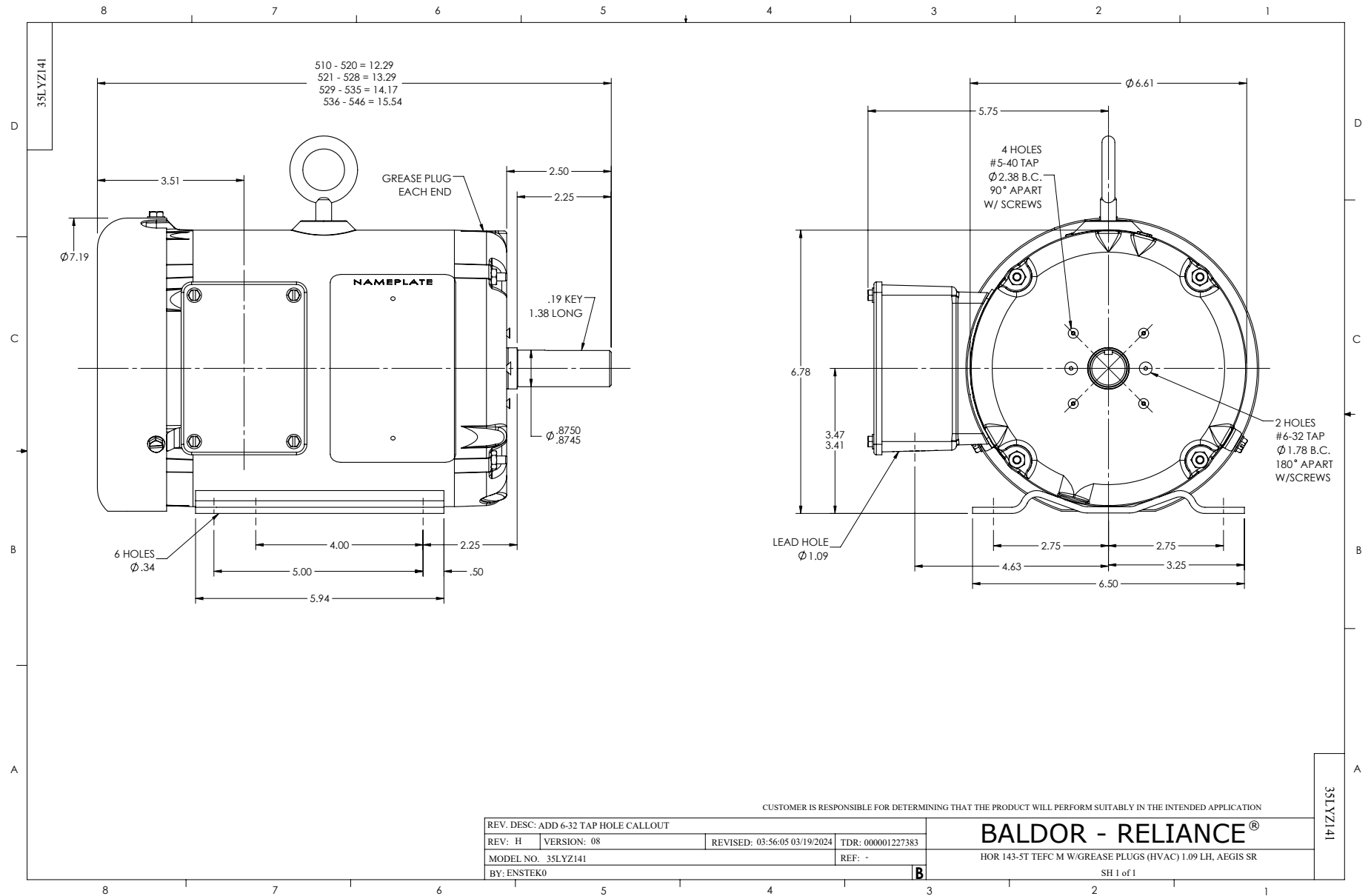
1.5 HP 3 PH 60 HZ 1770 RPM 575 V 3524M

Typical performance - not guaranteed values.

TORQUES (LB-FT): PO=17.4 PU=9.2 LR=11.3 LRA=14.8



7/23/2024 ACPERF, record # 87553

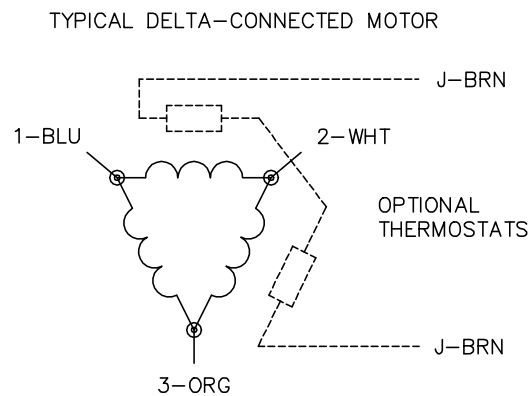
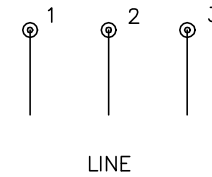
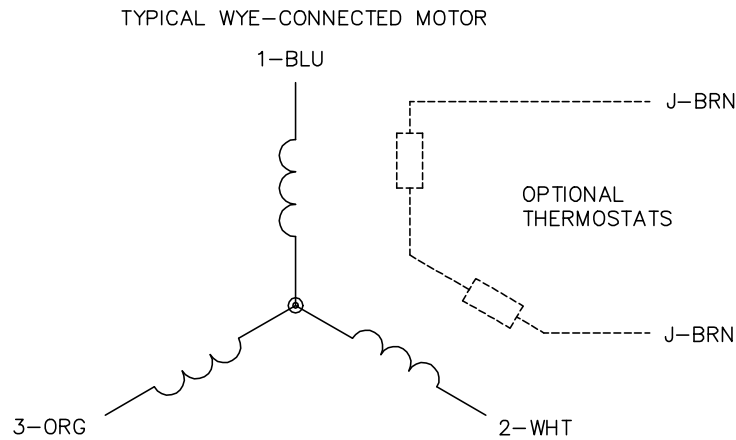


CUSTOMER IS RESPONSIBLE FOR DETERMINING THAT THE PRODUCT WILL PERFORM SUITABLY IN THE INTENDED APPLICATION

REV. DESC: ADD 6-32 TAP HOLE CALLOUT		REVISED: 03:56:05 03/19/2024		TDR: 000001227383
REV: H	VERSION: 08	REF: -		
MODEL NO. 35LYZ141		BY: ENSTEKO		

BALDOR - RELIANCE®
 HOR 143-5T TEFC M W/GREASE PLUGS (HVAC) 1.09 LH, AEGIS SR
 SH 1 of 1

CD0006



NOTES:

1. THREE LEAD MOTOR MAY BE EITHER WYE CONNECTED OR DELTA CONNECTED.
2. INTERCHANGE ANY TWO LINE LEADS TO REVERSE ROTATION.
3. OPTIONAL THERMOSTATS ARE PROVIDED WHEN SPECIFIED.
4. ACTUAL NUMBER OF INTERNAL PARALLEL CIRCUITS MAY VARY.
5. LEAD COLORS ARE OPTIONAL. LEADS MUST BE NUMBERED AS SHOWN.

CD0006

REV. DESC: ADD CLASS CONN00000007		
REV. LTR: E	VERSION: 01	TDR: 000001099922
FILE: \AAA\00005\141	REVISED: 10:24:49 02/19/2019	BY: ENBRIRO
MTL: -		© □

BALDOR - RELIANCE®

3PH, SV, 3 LEADS, WYE OR DELTA CONNECTED

SH 1 of 1