

**BALDOR • RELIANCE**

---

# Customer information packet

## EHM3157T

2HP, 1760RPM, 3PH, 60HZ, 145T, 3528M, OPSB, F1

Class - None

Division - Not Applicable

## Specifications

|                                |   |
|--------------------------------|---|
| Enclosure                      | OPSB  |
| Frame                          | 145T  |
| Frame Material                 | Steel   |
| Frequency                      | 60.00 Hz  |
| Haz Area Class and Group       | None  |
| Haz Area Division              | Not Applicable  |
| Motor Letter Type              | Three Phase   |
| Output @ Frequency             | 2.000 HP @ 60 HZ  |
| Phase                          | 3   |
| Synchronous Speed @ Frequency  | 1800 RPM @ 60 HZ  |
| Voltage @ Frequency            | 230.0 V @ 60 HZ<br>460.0 V @ 60 HZ                          |
| Agency Approvals               | CSA<br>UR   |
| Ambient Temperature            | 40 °C   |
| Auxillary Box                  | No Auxillary Box  |
| Auxillary Box Lead Termination | None  |
| Base Indicator                 | Rigid   |
| Bearing Grease Type            | Polyrex EM (-20F +300F)                                     |
| Blower                         | None  |
| Current @ Voltage              | 2.800 A @ 460.0 V<br>5.600 A @ 230.0 V<br>5.800 A @ 208.0 V |
| Design Code                    | B   |
| Drip Cover                     | No Drip Cover   |
| Duty Rating                    | CONT  |
| Efficiency @ 100% Load         | 86.5 %  |
| Electrically Isolated Bearing  | Not Electrically Isolated                                   |
| Feedback Device                | NO FEEDBACK   |
| Front Shaft Indicator          | None  |
| Heater Indicator               | No Heater   |
| High Voltage Full Load Amps    | 2.8 a   |

## Part detail

|              |            |
|--------------|------------|
| Revision     | D          |
| Type         | AC         |
| Mech. spec.  | 35VV807    |
| Base         |            |
| Status       | PRD/A      |
| Elec. spec.  | 35WGG073   |
| Layout       | 35LYVV807  |
| Eff. date    | 05-05-2025 |
| CD Diagram   | CD0005     |
| Poles        | 04         |
| Leads        | 9#18       |
| Proprietary  | False      |
| Created date | 02-21-2023 |

|                                      |                     |
|--------------------------------------|---------------------|
| <b>Insulation Class</b>              | F                   |
| <b>Inverter Code</b>                 | Inverter Ready      |
| <b>KVA Code</b>                      | K                   |
| <b>Lifting Lugs</b>                  | No Lifting Lugs     |
| <b>Locked Bearing Indicator</b>      | No Locked Bearing   |
| <b>Motor Lead Quantity/Wire Size</b> | 9 @ 18 AWG          |
| <b>Motor Lead Termination</b>        | Flying Leads        |
| <b>Motor Standards</b>               | NEMA                |
| <b>Motor Type</b>                    | 3528M               |
| <b>Mounting Arrangement</b>          | F1                  |
| <b>Number of Poles</b>               | 4                   |
| <b>Overall Length</b>                | 12.13 IN            |
| <b>Power Factor</b>                  | 77                  |
| <b>Product Family</b>                | General Purpose     |
| <b>Pulley End Bearing Type</b>       | Ball                |
| <b>Pulley Face Code</b>              | Standard            |
| <b>Pulley Shaft Indicator</b>        | Standard            |
| <b>Rodent Screen</b>                 | None                |
| <b>Service Factor</b>                | 1.15                |
| <b>Shaft Diameter</b>                | 0.875 IN            |
| <b>Shaft Ground Indicator</b>        | No Shaft Grounding  |
| <b>Shaft Rotation</b>                | Reversible          |
| <b>Shaft Slinger Indicator</b>       | No Slinger          |
| <b>Speed</b>                         | 1760 rpm            |
| <b>Speed Code</b>                    | Single Speed        |
| <b>Starting Method</b>               | Direct on line      |
| <b>Thermal Device - Bearing</b>      | None                |
| <b>Thermal Device - Winding</b>      | None                |
| <b>Vibration Sensor Indicator</b>    | No Vibration Sensor |
| <b>Winding Thermal 1</b>             | None                |
| <b>Winding Thermal 2</b>             | None                |

**Nameplate**

| <b>NP2094C06B03</b> |               |               |           |             |   |           |   |  |  |
|---------------------|---------------|---------------|-----------|-------------|---|-----------|---|--|--|
| <b>CAT.NO.</b>      | EHM3157T      |               |           |             |   |           |   |  |  |
| <b>SPEC.</b>        | 35VV807G073G1 |               |           |             |   |           |   |  |  |
| <b>HP</b>           | 2             |               |           |             |   |           |   |  |  |
| <b>VOLTS</b>        | 230/460       |               |           |             |   |           |   |  |  |
| <b>AMPS</b>         | 5.6/2.8       |               |           |             |   |           |   |  |  |
| <b>RPM</b>          | 1760          |               |           |             |   |           |   |  |  |
| <b>FRAME</b>        | 145T          |               | <b>HZ</b> | 60          |   | <b>PH</b> | 3 |  |  |
| <b>SER.F.</b>       | 1.15          | <b>CODE</b>   | K         | <b>DES</b>  | B | <b>CL</b> | F |  |  |
| <b>NEMA-NOM-EFF</b> | 86.5          | <b>PF</b>     | 77        |             |   |           |   |  |  |
| <b>RATING</b>       | 40C AMB-CONT  |               |           |             |   |           |   |  |  |
| <b>CC</b>           | 010A          |               |           |             |   |           |   |  |  |
| <b>DE</b>           | 6205          | <b>ODE</b>    | 6203      |             |   |           |   |  |  |
| <b>AUTO</b>         | N             | <b>MANUAL</b> | N         | <b>NONE</b> | Y |           |   |  |  |
| <b>ENCL</b>         | OPSB          | <b>SN</b>     |           |             |   |           |   |  |  |
| <b>BLANK</b>        | SFA 6.3/3.15  |               |           |             |   |           |   |  |  |

**AC Induction Motor Performance Data**

Record # 81963

Typical performance - not guaranteed values

| Winding: 35WGG073-R009 |                   | Type: 3528M               | Enclosure: OPEN                                  |  |
|------------------------|-------------------|---------------------------|--|--|
| <b>Nameplate Data</b>  |                   |                           | <b>460 V, 60 Hz:<br/>High Voltage Connection</b> |  |
| Rated Output (HP)      | 2                 | Full Load Torque          | 5.99 LB-FT                                       |  |
| Volts                  | 230/460           | Start Configuration       | direct on line                                   |  |
| Full Load Amps         | 5.6/2.8           | Breakdown Torque          | 20.5 LB-FT                                       |  |
| R.P.M.                 | 1760              | Pull-up Torque            | 13.8 LB-FT                                       |  |
| Hz                     | 60 Phase          | Locked-rotor Torque       | 15 LB-FT   |  |
| NEMA Design Code       | B KVA Code        | Starting Current          | 22.5 A   |  |
| Service Factor (S.F.)  | 1.15              | No-load Current           | 1.62 A   |  |
| NEMA Nom. Eff.         | 86.5 Power Factor | Line-line Res. @ 25°C     | 9.54 Ω   |  |
| Rating - Duty          | 40C AMB-CONT      | Temp. Rise @ Rated Load   | 64°C   |  |
| S.F. Amps              |                   | Temp. Rise @ S.F. Load    | 77°C   |  |
|                        |                   | Locked-rotor Power Factor | 57.9   |  |
|                        |                   | Rotor inertia             | 0.202 lb-ft <sup>2</sup>                         |  |

**Load Characteristics 460 V, 60 Hz, 2 HP**

| % of Rated Load | 25   | 50   | 75   | 100  | 125  | 150  | S.F. |
|-----------------|------|------|------|------|------|------|------|
| Power Factor    | 35   | 55   | 68   | 76   | 81   | 84   | 83   |
| Efficiency      | 78.2 | 85.3 | 86.8 | 86.5 | 85.4 | 83.6 | 86.3 |
| Speed           | 1791 | 1782 | 1771 | 1760 | 1748 | 1734 | 1758 |
| Line amperes    | 1.71 | 1.97 | 2.34 | 2.82 | 3.36 | 3.97 | 3.02 |

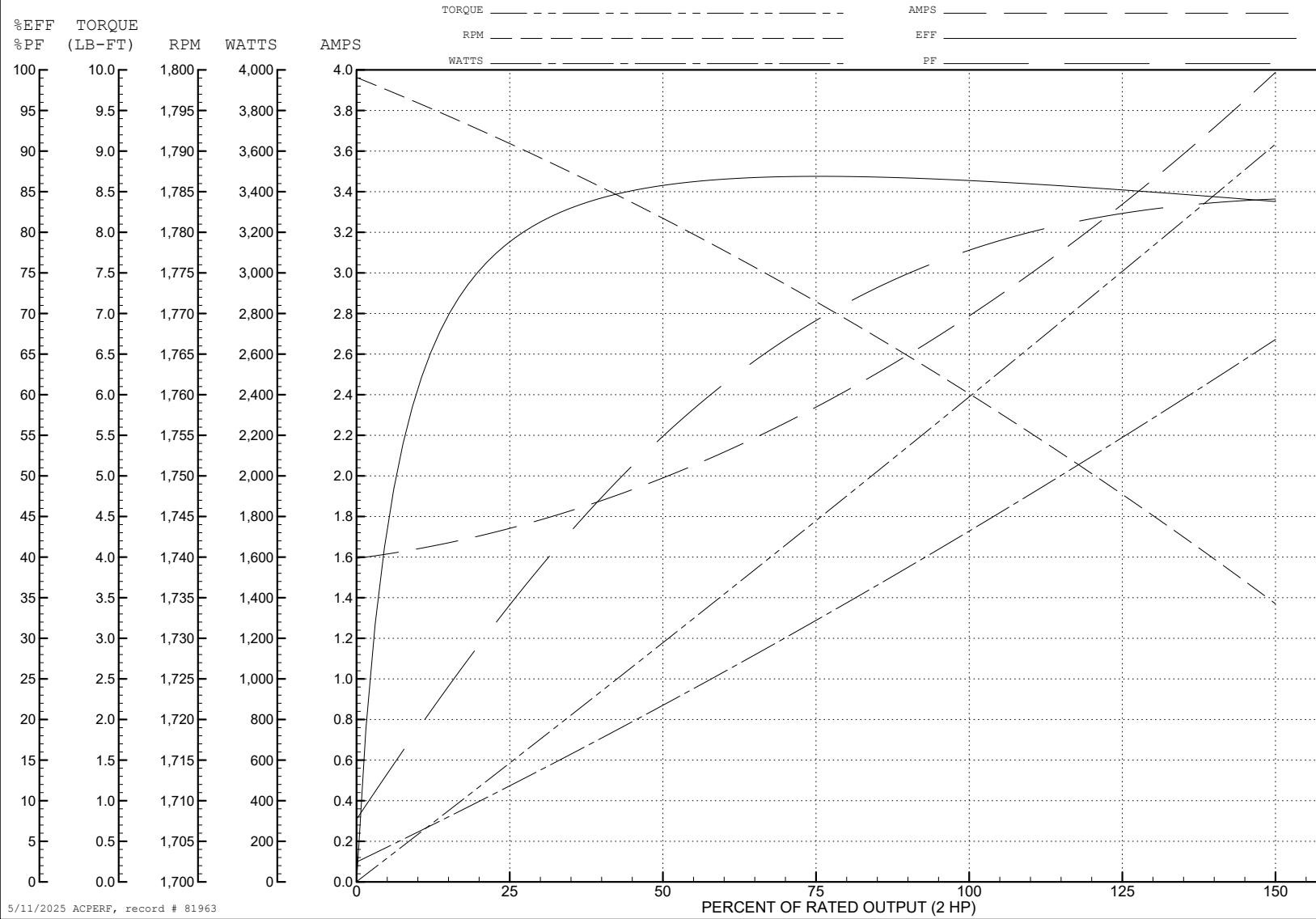
ABB Motors and Mechanical Inc.

WINDING # 35WGG073

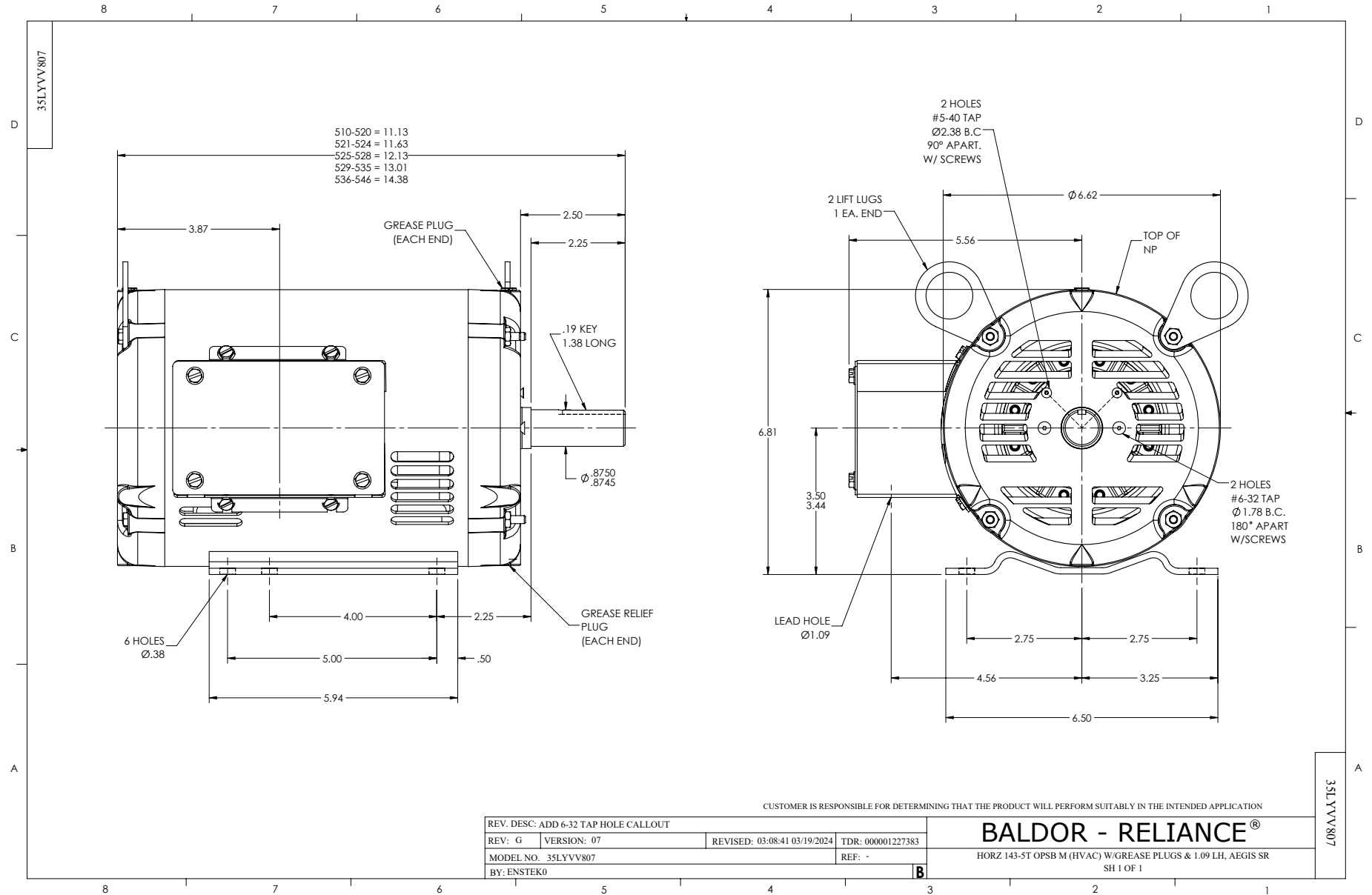
Typical performance - not guaranteed values.

2 HP 3 PH 60 HZ 1760 RPM 460 V 3528M

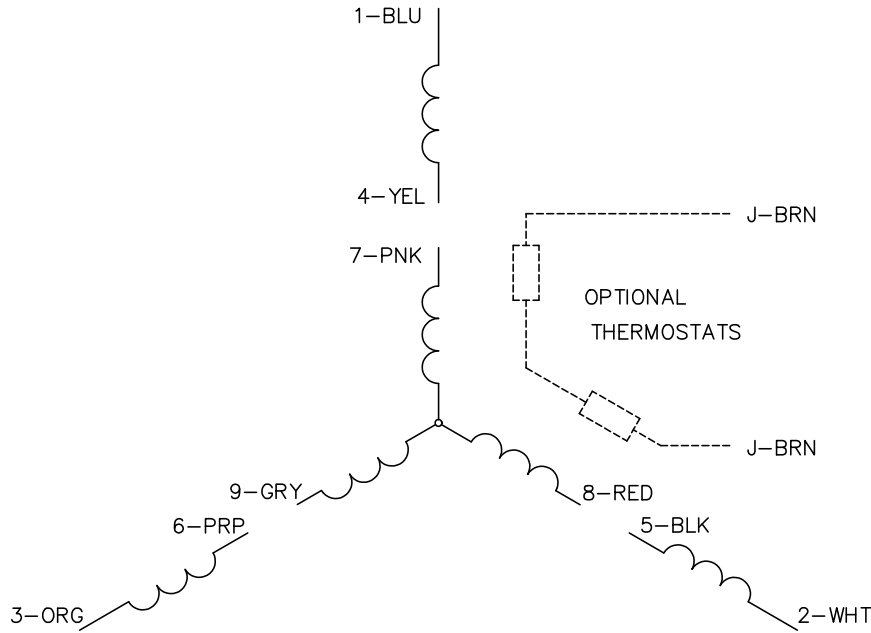
TORQUES (LB-FT): PO=20.5 PU=13.8 LR=15 LRA=22.5



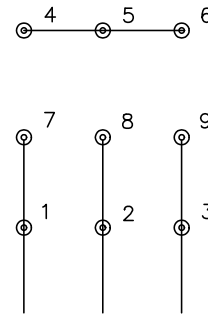
5/11/2025 ACPERF, record # 81963



CD0005

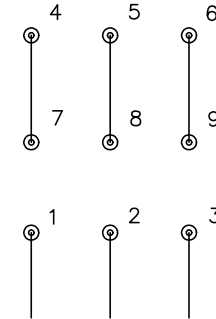


LOW VOLTAGE  
(2Y)



LINE

HIGH VOLTAGE  
(1Y)



LINE

NOTES:

1. INTERCHANGE ANY TWO LINE LEADS TO REVERSE ROTATION.
2. OPTIONAL THERMOSTATS ARE PROVIDED WHEN SPECIFIED.
3. ACTUAL NUMBER OF INTERNAL PARALLEL CIRCUITS MAY BE A MULTIPLE OF THOSE SHOWN ABOVE.
4. LEAD COLORS ARE OPTIONAL. LEADS MUST ALWAYS BE NUMBERED AS SHOWN.

|   |         |                         |              |
|---|---------|-------------------------|--------------|
| REV. DESC: REVISE TO SHOW OPTIONAL COLORS |         |                         |              |
| REV. LTR: E                               | BY: JLP | REVISED: 01/19/99 10:15 | TDR: 0171435 |
| S00000                                    |         | FILE: AAA00005140       | MDL: -       |
|   |         | MTL: -                  |              |

**BALDOR ELECTRIC Co.**

3PH, DV, 9 LEADS

CD0005