



Customer information packet

EHM3116T

1HP, 1770RPM, 3PH, 60HZ, 143T, 3520M, OPSB, F1

Class - None

Division - Not Applicable

Specifications

Enclosure	OPSB
Frame	143T
Frame Material	Steel
Frequency	60.00 Hz
Haz Area Class and Group	None
Haz Area Division	Not Applicable
Motor Letter Type	Three Phase
Output @ Frequency	1.000 HP @ 60 HZ
Phase	3
Synchronous Speed @ Frequency	1800 RPM @ 60 HZ
Voltage @ Frequency	230.0 V @ 60 HZ 460.0 V @ 60 HZ
Agency Approvals	CSA UR
Ambient Temperature	40 °C
Auxillary Box	No Auxillary Box
Auxillary Box Lead Termination	None
Base Indicator	Rigid
Bearing Grease Type	Polyrex EM (-20F +300F)
Blower	None
Current @ Voltage	1.600 A @ 460.0 V 3.200 A @ 208.0 V 3.200 A @ 230.0 V
Design Code	B
Drip Cover	No Drip Cover
Duty Rating	CONT
Efficiency @ 100% Load	85.5 %
Electrically Isolated Bearing	Not Electrically Isolated
Feedback Device	NO FEEDBACK
Front Shaft Indicator	None
Heater Indicator	No Heater
High Voltage Full Load Amps	1.6 a

Part detail

Revision	G
Type	AC
Mech. spec.	35VV807
Base	
Status	PRD/A
Elec. spec.	35WGG004
Layout	35LYVV807
Eff. date	05-05-2025
CD Diagram	CD0005
Poles	04
Leads	9#18 Y
Proprietary	False
Created date	01-10-2022

Insulation Class	F
Inverter Code	Inverter Ready
KVA Code	N
Lifting Lugs	Vertical Lifting Lugs
Locked Bearing Indicator	No Locked Bearing
Motor Lead Quantity/Wire Size	9 @ 18 AWG
Motor Lead Termination	Flying Leads
Motor Standards	NEMA
Motor Type	3520M
Mounting Arrangement	F1
Number of Poles	4
Overall Length	11.12 IN
Power Factor	69
Product Family	General Purpose
Pulley End Bearing Type	Ball
Pulley Face Code	Standard
Pulley Shaft Indicator	Standard
Rodent Screen	None
Service Factor	1.15
Shaft Diameter	0.875 IN
Shaft Ground Indicator	No Shaft Grounding
Shaft Rotation	Reversible
Shaft Slinger Indicator	No Slinger
Speed	1770 rpm
Speed Code	Single Speed
Starting Method	Direct on line
Thermal Device - Bearing	None
Thermal Device - Winding	None
Vibration Sensor Indicator	No Vibration Sensor
Winding Thermal 1	None
Winding Thermal 2	None

Nameplate

NP2094C06B03									
CAT.NO.	EHM3116T								
SPEC.	35VV807G004G1								
HP	1								
VOLTS	230/460								
AMPS	3.2/1.6								
RPM	1770								
FRAME	143T		HZ	60		PH	3		
SER.F.	1.15	CODE	N	DES	B	CL	F		
NEMA-NOM-EFF	85.5	PF	69						
RATING	40C AMB-CONT								
CC	010A								
DE	6205	ODE	6203						
AUTO	N	MANUAL	N	NONE	Y				
ENCL	OPSB	SN							
BLANK	SFA 3.4/1.7								

AC Induction Motor Performance Data

Record # 91625

Typical performance - not guaranteed values

Winding: 35WGG004-R001		Type: 3520M		Enclosure: TEFC	
Nameplate Data			460 V, 60 Hz: High Voltage Connection		
Rated Output (HP)		1	Full Load Torque		2.982 LB-FT
Volts		230/460	Start Configuration		direct on line
Full Load Amps		3.2/1.6	Breakdown Torque		14.6 LB-FT
R.P.M.		1770	Pull-up Torque		7.57 LB-FT
Hz	60	Phase	3	Locked-rotor Torque	9.17 LB-FT
NEMA Design Code		B KVA Code	N	Starting Current	14.6 A
Service Factor (S.F.)			1.15	No-load Current	1.2 A
NEMA Nom. Eff.	85.5	Power Factor	69	Line-line Res. @ 25°C	16.049 Ω
Rating - Duty			40C AMB-CONT	Temp. Rise @ Rated Load	36°C
S.F. Amps			3.4/1.7	Temp. Rise @ S.F. Load	41°C
				Locked-rotor Power Factor	61.549
				Rotor inertia	0.144 lb-ft ²

Load Characteristics 460 V, 60 Hz, 1 HP

% of Rated Load	25	50	75	100	125	150	S.F.
Power Factor	29	45	58	67	73	78	71
Efficiency	71.1	81.2	84.7	85.8	86	85.6	85.9
Speed	1794	1787.3	1781.1	1774.3	1767.4	1759.4	1770
Line amperes	1.22	1.31	1.46	1.64	1.86	2.11	1.77

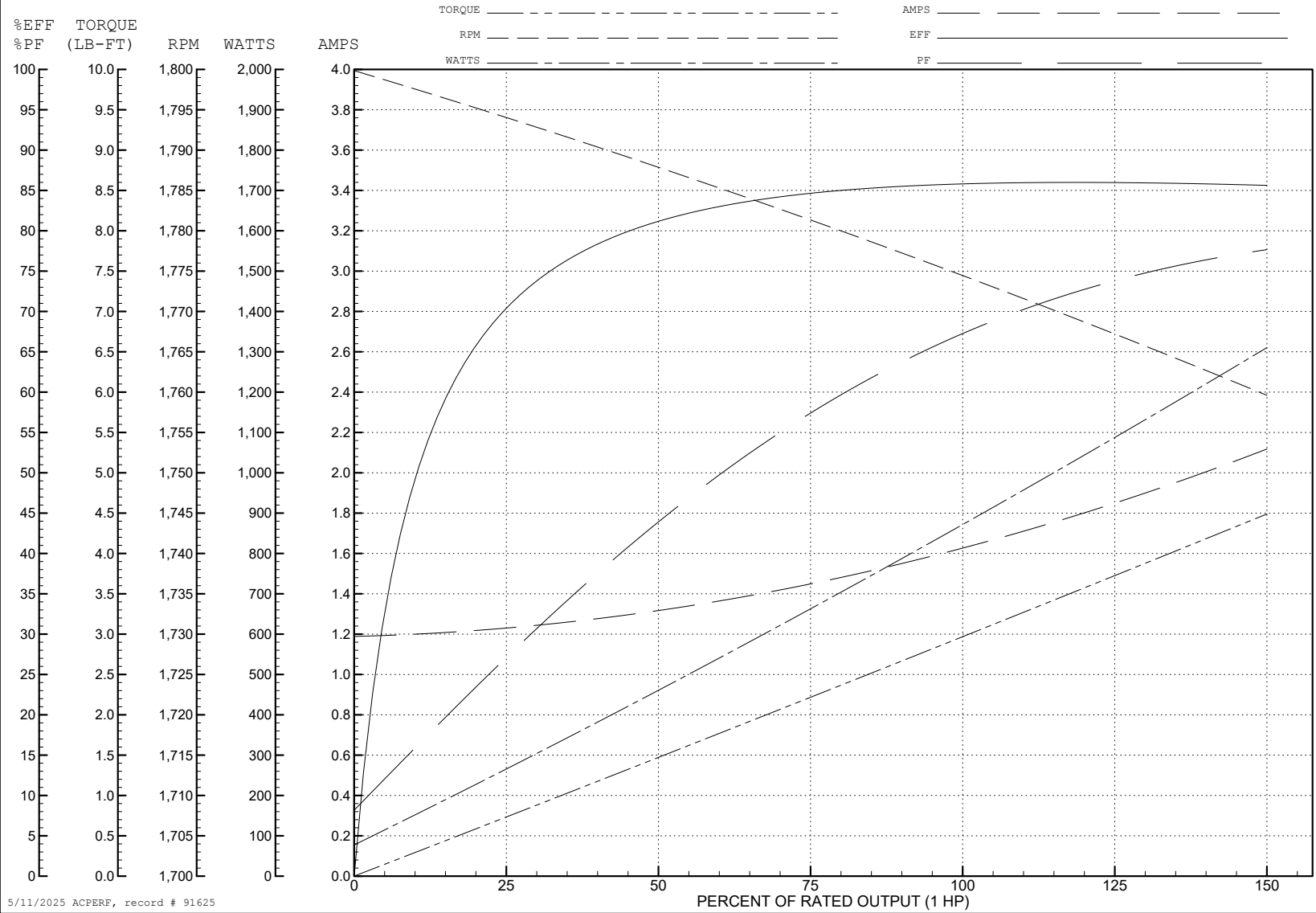
ABB Motors and Mechanical Inc.

WINDING # 35WGG004

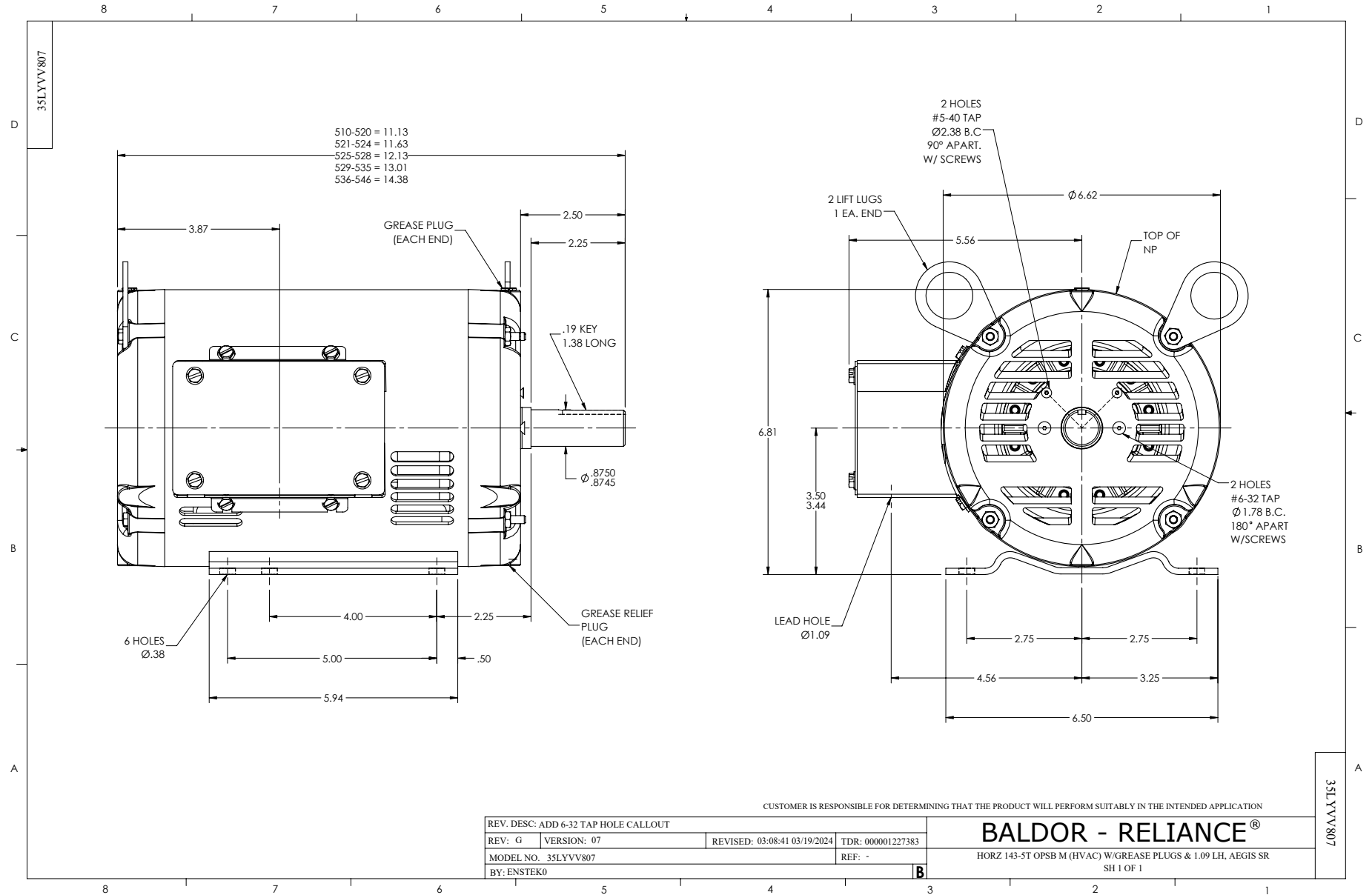
Typical performance - not guaranteed values.

1 HP 3 PH 60 HZ 1770 RPM 460 V 3520M

TORQUES (LB-FT): PO=14.6 PU=7.57 LR=9.17 LRA=14.6



5/11/2025 ACPERF, record # 91625



CD0005



LOW VOLTAGE
(2Y)



LINE

HIGH VOLTAGE
(1Y)



LINE

NOTES:

1. INTERCHANGE ANY TWO LINE LEADS TO REVERSE ROTATION.
2. OPTIONAL THERMOSTATS ARE PROVIDED WHEN SPECIFIED.
3. ACTUAL NUMBER OF INTERNAL PARALLEL CIRCUITS MAY BE A MULTIPLE OF THOSE SHOWN ABOVE.
4. LEAD COLORS ARE OPTIONAL. LEADS MUST ALWAYS BE NUMBERED AS SHOWN.

CD0005

REV. DESC: REVISE TO SHOW OPTIONAL COLORS			
REV. LTR: E	BY: JLP	REVISED: 01/19/99 10:15	TDR: 0171435
S00000		FILE: AAA00005140	MDL: -
		MTL: -	

BALDOR ELECTRIC Co.

3PH, DV, 9 LEADS