

ABB BALDOR RELIANCE III



Customer information packet

EHM2532T

25HP, 1180RPM, 3PH, 60HZ, 324T, 4072M, OPSB, F1

Copyright © All product information within this document is subject to ABB Motors and Mechanical Inc. copyright © protection, unless otherwise noted.

7/8/2026 9:40:49 PM

Specifications

Enclosure	OPSB
Frame	324T
Frame Material	Steel
Frequency	60.00 Hz
Motor Letter Type	Three Phase
Output @ Frequency	25.000 HP @ 60 HZ
Phase	3
Synchronous Speed @ Frequency	1200 RPM @ 60 HZ
Voltage @ Frequency	230.0 V @ 60 HZ 460.0 V @ 60 HZ
Agency Approvals	CSA UR
Ambient Temperature	40 °C
Auxiliary Box	NO AUXILLARY BOX
Auxiliary Box Lead Termination	None
Base Indicator	Rigid
Bearing Grease Type	Polyrex EM (-20F +300F)
Blower	None
Current @ Voltage	34.000 A @ 460.0 V 68.000 A @ 230.0 V 70.000 A @ 208.0 V
Design Code	A
Drip Cover	No Drip Cover
Duty Rating	CONT
Efficiency @ 100% Load	93.0 %
Feedback Device	NO FEEDBACK
Front Face Code	Standard
Front Shaft Indicator	None
Heater Indicator	No Heater
High Voltage Full Load Amps	34.0 a
Insulation Class	F
Inverter Code	Inverter Ready

Part Detail

Revision	H
Type	AC
Mech. spec.	40E329
Base	
Status	PRD/A
Elec. spec.	40WGX192
Layout	40LYE329
Eff. date	07-10-2024
CD Diagram	CD0180
Poles	06
Leads	9#10
Proprietary	False
Created date	10-21-2013

KVA Code	J
Lifting Lugs	Standard Lifting Lugs
Locked Bearing Indicator	No Locked Bearing
Motor Lead Exit	Ko Box
Motor Lead Quantity/Wire Size	9 @ 10 AWG
Motor Lead Termination	Flying Leads
Motor Standards	NEMA
Motor Type	4072M
Mounting Arrangement	F1
Number of Poles	6
Overall Length	27.69 IN
Power Factor	76
Product Family	General Purpose
Pulley End Bearing Type	Ball
Pulley Face Code	Standard
Pulley Shaft Indicator	Standard
Rodent Screen	None
Service Factor	1.15
Shaft Extension Location	Pulley End
Shaft Ground Indicator	Mounting Provisions Only
Shaft Rotation	Reversible
Shaft Slinger Indicator	No Slinger
Speed	1180 rpm
Speed Code	Single Speed
Starting Method	Direct on line
Thermal Device - Bearing	None
Thermal Device - Winding	None
Vibration Sensor Indicator	No Vibration Sensor

Nameplate

NP2094E06B03										
CAT.NO.	EHM2532T									
SPEC.	40E329X192G1									
HP	25									
VOLTS	230/460									
AMPS	68/34									
RPM	1180									
FRAME	324T	HZ	60	PH	3					
SER.F.	1.15	CODE	J	DES	A	CL	F			
NEMA-NOM-EFF	93	PF	76							
RATING	40C AMB-CONT									
CC	010A	USABLE AT 208V						N/A		
DE	6312	ODE	6309							
AUTO	MANUAL			NONE						
ENCL	OPSB	SN								
BLANK										

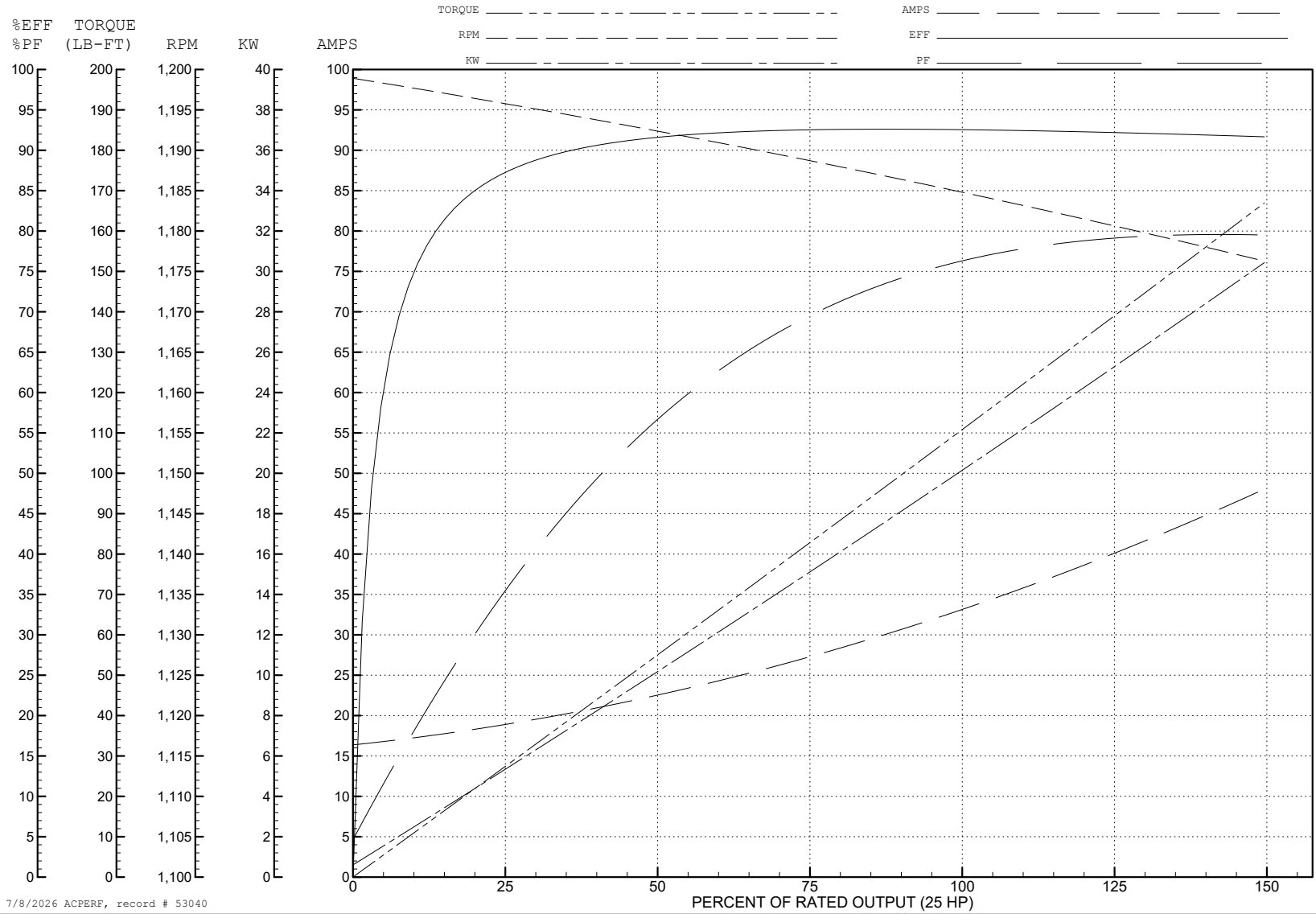
ABB Motors and Mechanical Inc.

WINDING # 40WGX192

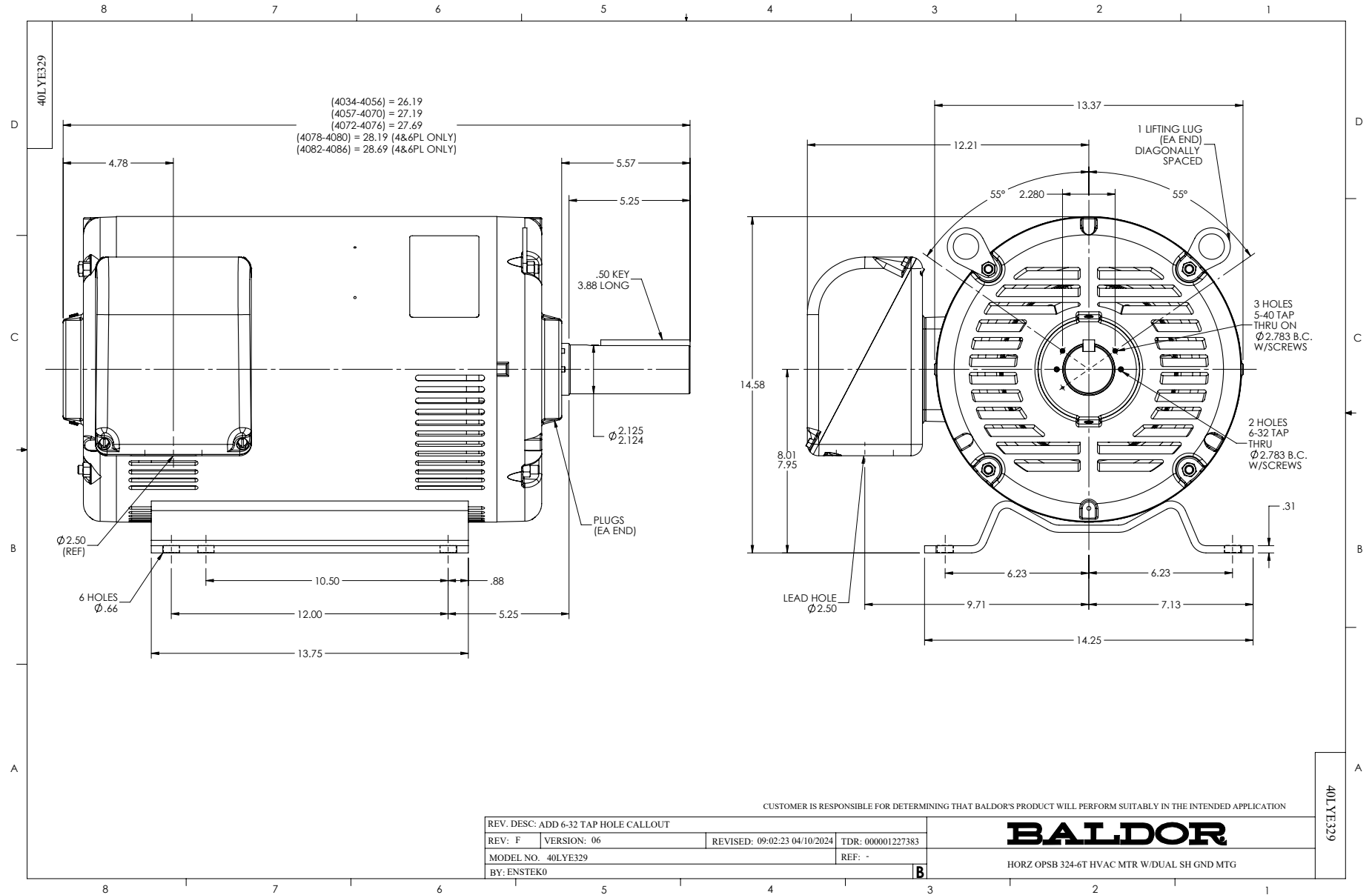
Typical performance - not guaranteed values.

25 HP 3 PH 60 HZ 1180 RPM 460 V 4072M

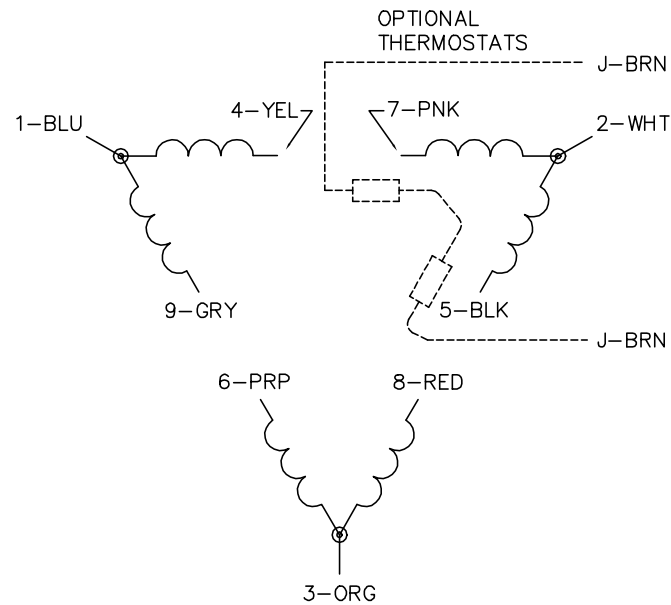
TORQUES (LB-FT): PO=410 PU=205 LR=217 LRA=236



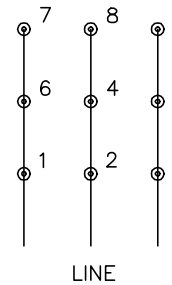
7/8/2026 ACPERF, record # 53040



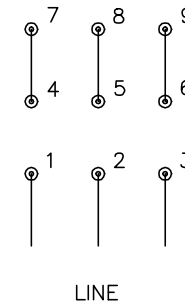
CD0180



LOW VOLTAGE
(2D)



HIGH VOLTAGE
(1D)



NOTES:

1. INTERCHANGE ANY TWO LINE LEADS TO REVERSE ROTATION.
2. OPTIONAL THERMOSTATS ARE PROVIDED WHEN SPECIFIED.
3. ACTUAL NUMBER OF INTERNAL PARALLEL CIRCUITS MAY BE A MULTIPLE OF THOSE SHOWN ABOVE.
4. LEAD COLORS ARE OPTIONAL. LEADS MUST ALWAYS BE NUMBERED AS SHOWN.

CD0180

REV. DESC: ADD CLASS CONN00000007		
REV. LTR: D	VERSION: 01	TDR: 000001099922
FILE: \AAA\00005\148	REVISED: 10:25:29 02/19/2019	BY: ENBRIRO
MTL: -	© □	

BALDOR - RELIANCE®

3PH, DV, 9 LEADS, DELTA CONNECTION

SH 1 of 1