

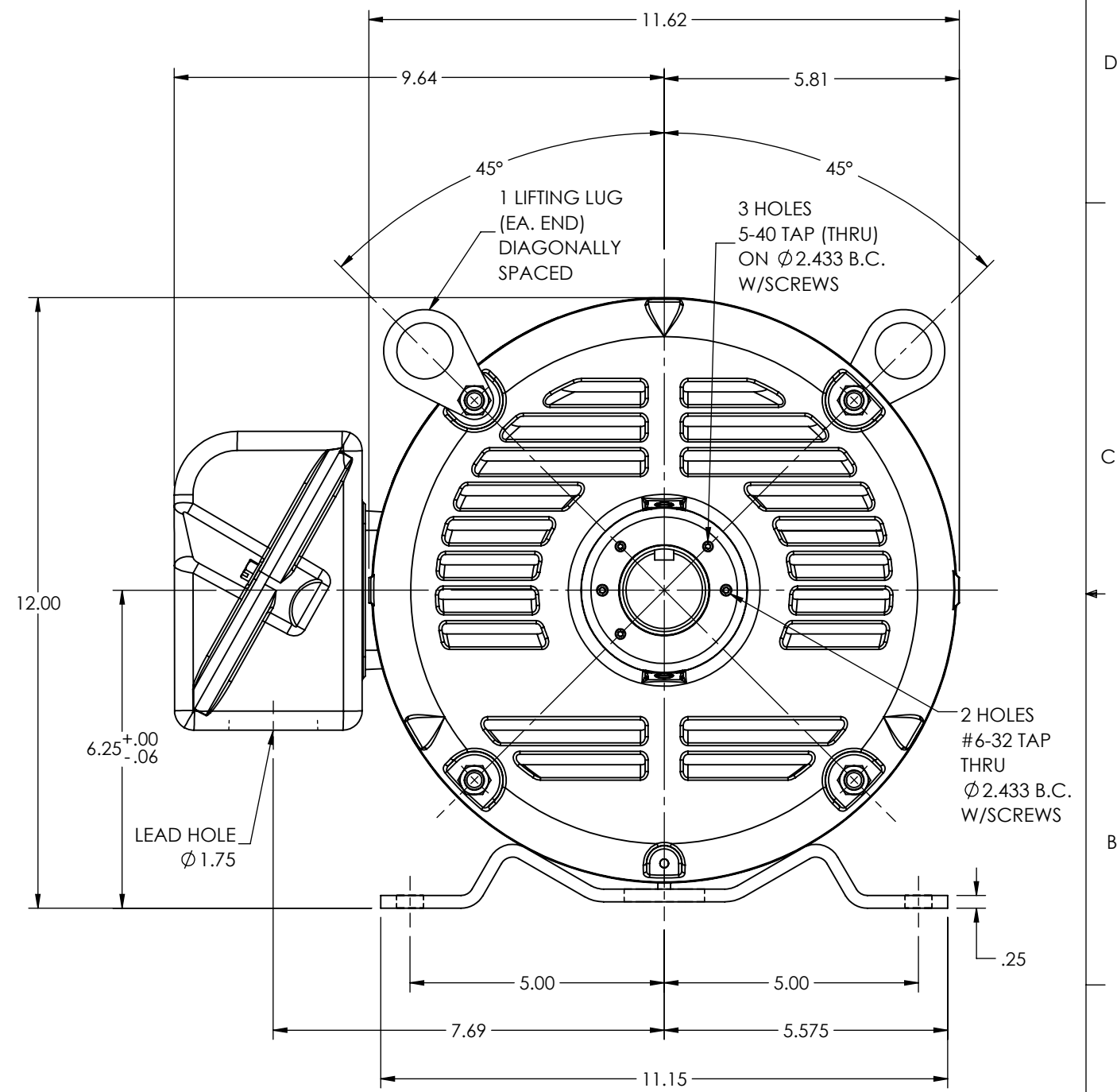
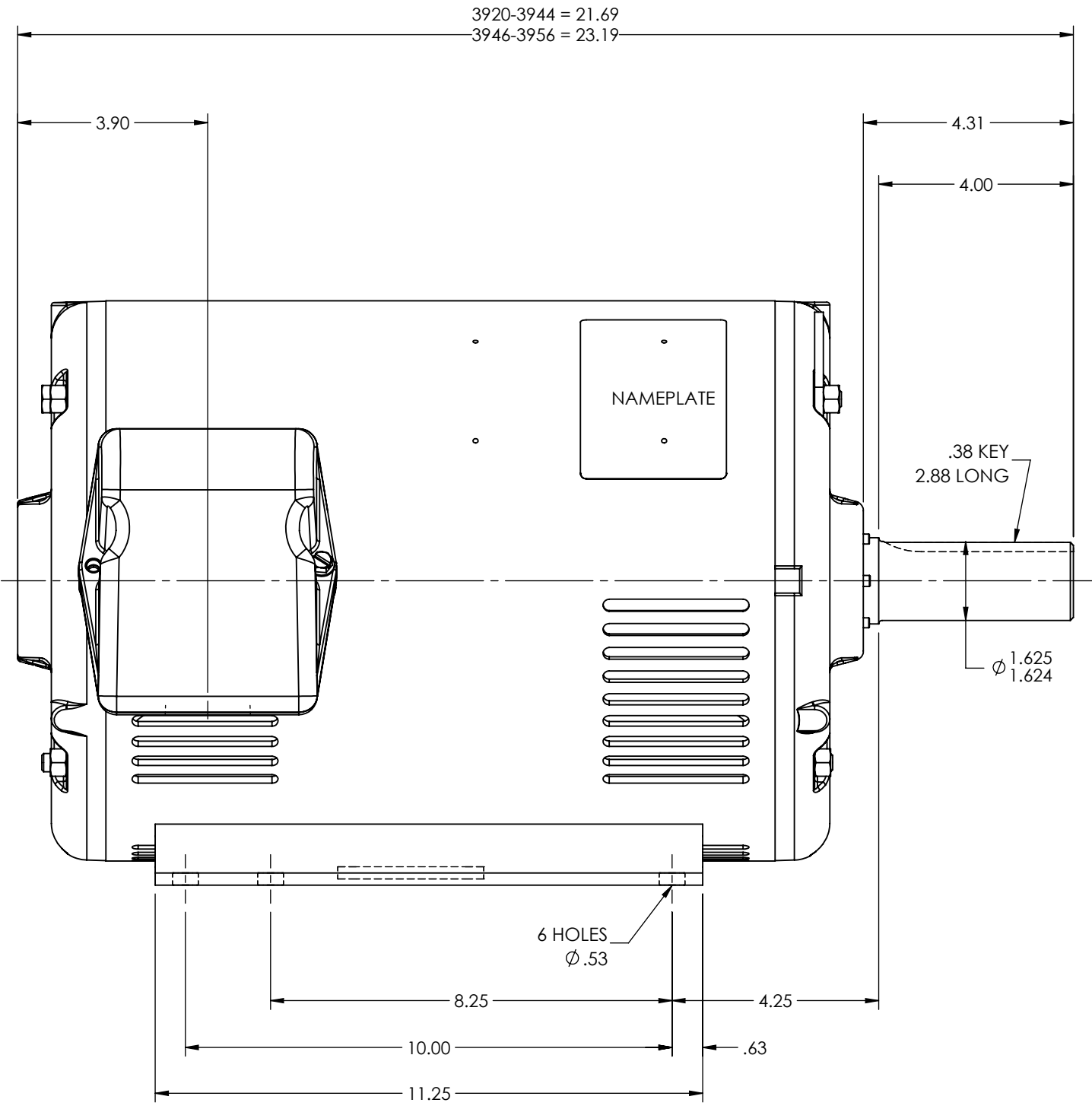
39LYR006

D

C

B

A



D

C

B

A

CUSTOMER IS RESPONSIBLE FOR DETERMINING THAT THE PRODUCT WILL PERFORM SUITABLY IN THE INTENDED APPLICATION

REV. DESC: ADD 6-32 TAP HOLE CALLOUT			
REV: H	VERSION: 08	REVISED: 11:44:44 04/01/2024	TDR: 000001227383
MODEL NO. 39LYR006			REF: -
BY: ENSTEK0			B

BALDOR - RELIANCE®

HORZ OPSB 254-6T W/GREASE PLUGS (HVAC MOTOR) PREMIUM EFF.

39LYR006

8 7 6 5 4 3 2 1