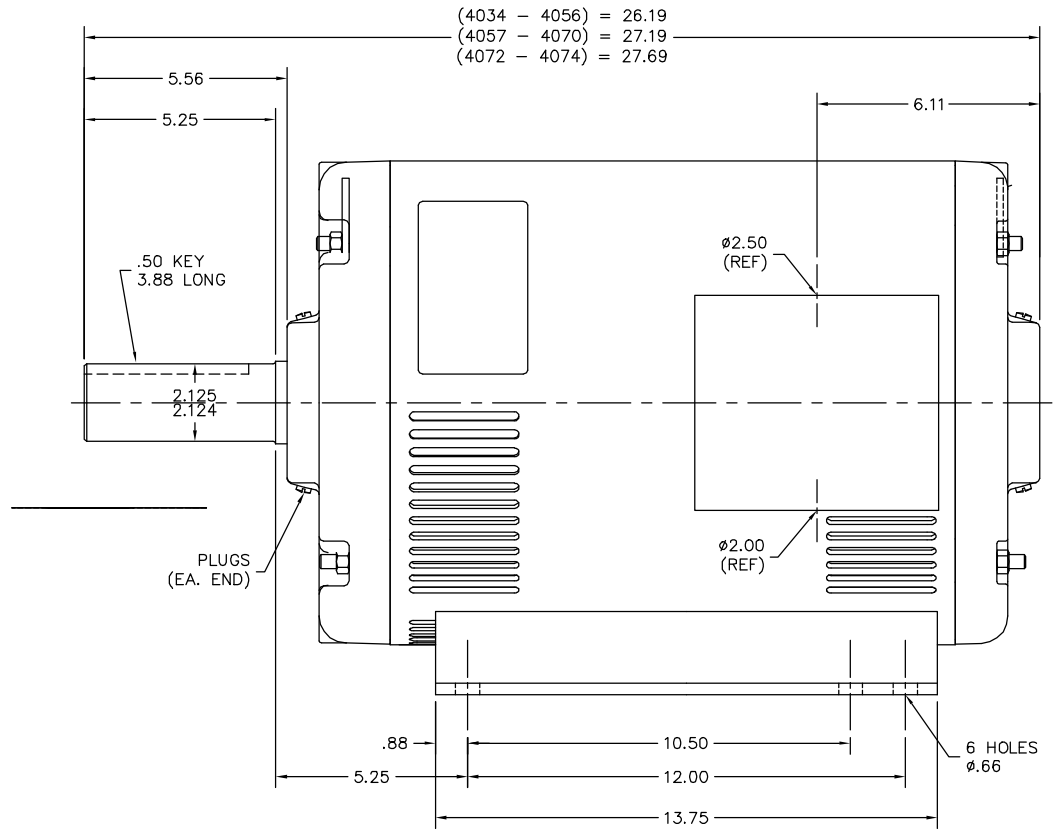
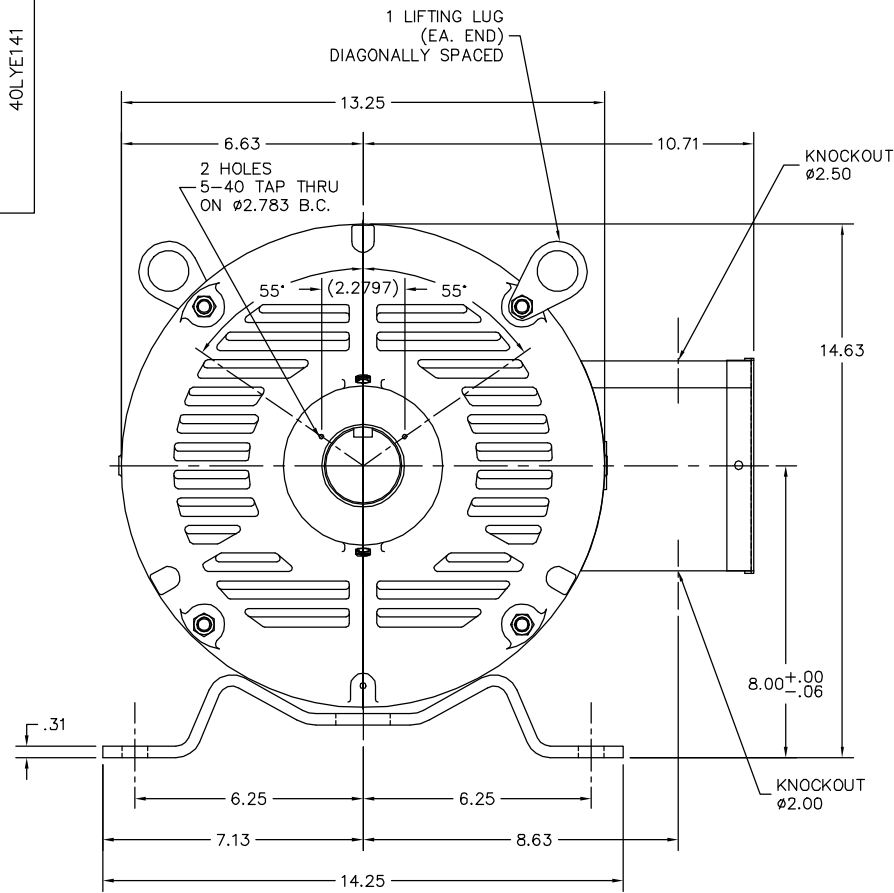


40LYE141



CUSTOMER IS RESPONSIBLE FOR DETERMINING THAT BALDOR'S PRODUCT WILL PERFORM SUITABLY IN THE INTENDED APPLICATION.

REV. DESC: ADDED REF DIMENSION TO FACE HOLES		
REV. LTR: B	VERSION: 02	TDR: 00000861148
FILE: \AAA\00137\628	REVISED: 11:04:32 07/03/2014	BY: ENNINDO
MTL: -		

**BALDOR**

OPSB 324-6T F2 (HVAC MOTOR) W/1/2 SH GND MTG

SH 1 of 1

40LYE141