

**BALDOR • RELIANCE**

---

# Customer information packet

## EHF2515T

20HP, 1765RPM, 3PH, 60HZ, 256T, 3948M, OPSB, F2

Class - None

Division - Not Applicable

## Specifications

Enclosure	OPSB
Frame	256T
Frame Material	Steel
Frequency	60.00 Hz
Haz Area Class and Group	None
Haz Area Division	Not Applicable
Motor Letter Type	Three Phase
Output @ Frequency	20.000 HP @ 60 HZ
Phase	3
Synchronous Speed @ Frequency	1800 RPM @ 60 HZ
Voltage @ Frequency	230.0 V @ 60 HZ 460.0 V @ 60 HZ
Agency Approvals	CSA UR
Ambient Temperature	40 °C
Auxillary Box	No Auxillary Box
Auxillary Box Lead Termination	None
Base Indicator	Rigid
Bearing Grease Type	Polyrex EM (-20F +300F)
Blower	None
Current @ Voltage	52.000 A @ 208.0 V 48.000 A @ 230.0 V 24.000 A @ 460.0 V
Design Code	A
Drip Cover	No Drip Cover
Duty Rating	CONT
Efficiency @ 100% Load	93.0 %
Electrically Isolated Bearing	Not Electrically Isolated
Feedback Device	NO FEEDBACK
Front Face Code	Standard
Front Shaft Indicator	None
Heater Indicator	No Heater

## Part detail

Revision	M
Type	AC
Mech. spec.	39E172
Base	
Status	PRD/A
Elec. spec.	39WGX952
Layout	39LYE172
Eff. date	07-10-2024
CD Diagram	CD0180
Poles	04
Leads	9#10
Proprietary	False
Created date	06-22-2016

High Voltage Full Load Amps	24.0 a
Insulation Class	F
Inverter Code	Inverter Ready
KVA Code	G
Lifting Lugs	Standard Lifting Lugs
Locked Bearing Indicator	No Locked Bearing
Motor Lead Exit	Ko Box
Motor Lead Quantity/Wire Size	9 @ 10 AWG
Motor Lead Termination	Flying Leads
Motor Standards	NEMA
Motor Type	3948M
Mounting Arrangement	F2
Number of Poles	4
Overall Length	23.19 IN
Power Factor	85
Product Family	General Purpose
Pulley End Bearing Type	Ball
Pulley Face Code	Standard
Pulley Shaft Indicator	Standard
Rodent Screen	None
Service Factor	1.15
Shaft Diameter	1.625 IN
Shaft Extension Location	Pulley End
Shaft Ground Indicator	No Shaft Grounding
Shaft Rotation	Reversible
Shaft Slinger Indicator	No Slinger
Speed	1765 rpm
Speed Code	Single Speed
Starting Method	Direct on line
Thermal Device - Bearing	None
Thermal Device - Winding	None
Vibration Sensor Indicator	No Vibration Sensor
Winding Thermal 1	None
Winding Thermal 2	None

**Nameplate**

<b>NP2094E06B03</b>									
<b>CAT.NO.</b>	EHFM2515T								
<b>SPEC.</b>	39E172X952G1								
<b>HP</b>	20								
<b>VOLTS</b>	230/460								
<b>AMPS</b>	48/24								
<b>RPM</b>	1765								
<b>FRAME</b>	256T	<b>HZ</b>	60	<b>PH</b>	3				
<b>SER.F.</b>	1.15	<b>CODE</b>	G	<b>DES</b>	A	<b>CL</b>	F		
<b>NEMA-NOM-EFF</b>	93	<b>PF</b>	85						
<b>RATING</b>	40C AMB-CONT								
<b>CC</b>	010A	<b>USABLE AT 208V</b>					N/A		
<b>DE</b>	6309	<b>ODE</b>	6208						
<b>AUTO</b>		<b>MANUAL</b>		<b>NONE</b>					
<b>ENCL</b>	OPSB	<b>SN</b>							
<b>BLANK</b>									

**AC Induction Motor Performance Data**

Record # 56778

Typical performance - not guaranteed values

Winding: 39WGX952-R001		Type: 3948M	Enclosure: OPSB	
<b>Nameplate Data</b>			<b>460 V, 60 Hz: High Voltage Connection</b>	
Rated Output (HP)	20	Full Load Torque	59.7 LB-FT	
Volts	230/460	Start Configuration	direct on line	
Full Load Amps	48/24	Breakdown Torque	187 LB-FT	
R.P.M.	1765	Pull-up Torque	78.1 LB-FT	
Hz	60 Phase	Locked-rotor Torque	112 LB-FT	
NEMA Design Code	A KVA Code	Starting Current	156 A	
Service Factor (S.F.)	1.15	No-load Current	8.83 A	
NEMA Nom. Eff.	93 Power Factor	Line-line Res. @ 25°C	0.48438 Ω	
Rating - Duty	40C AMB-CONT	Temp. Rise @ Rated Load	37°C	
S.F. Amps		Temp. Rise @ S.F. Load	46°C	
		Locked-rotor Power Factor	33.3	

**Load Characteristics 460 V, 60 Hz, 20 HP**

% of Rated Load	25	50	75	100	125	150	S.F.
Power Factor	50	72	81	85	87	87	86
Efficiency	90.2	93.3	93.5	93	92.2	91	92.5
Speed	1792.2	1784.8	1776.1	1767.5	1757.6	1746.3	1762
Line amperes	10.5	14	18.6	23.8	29.4	35.6	27.2

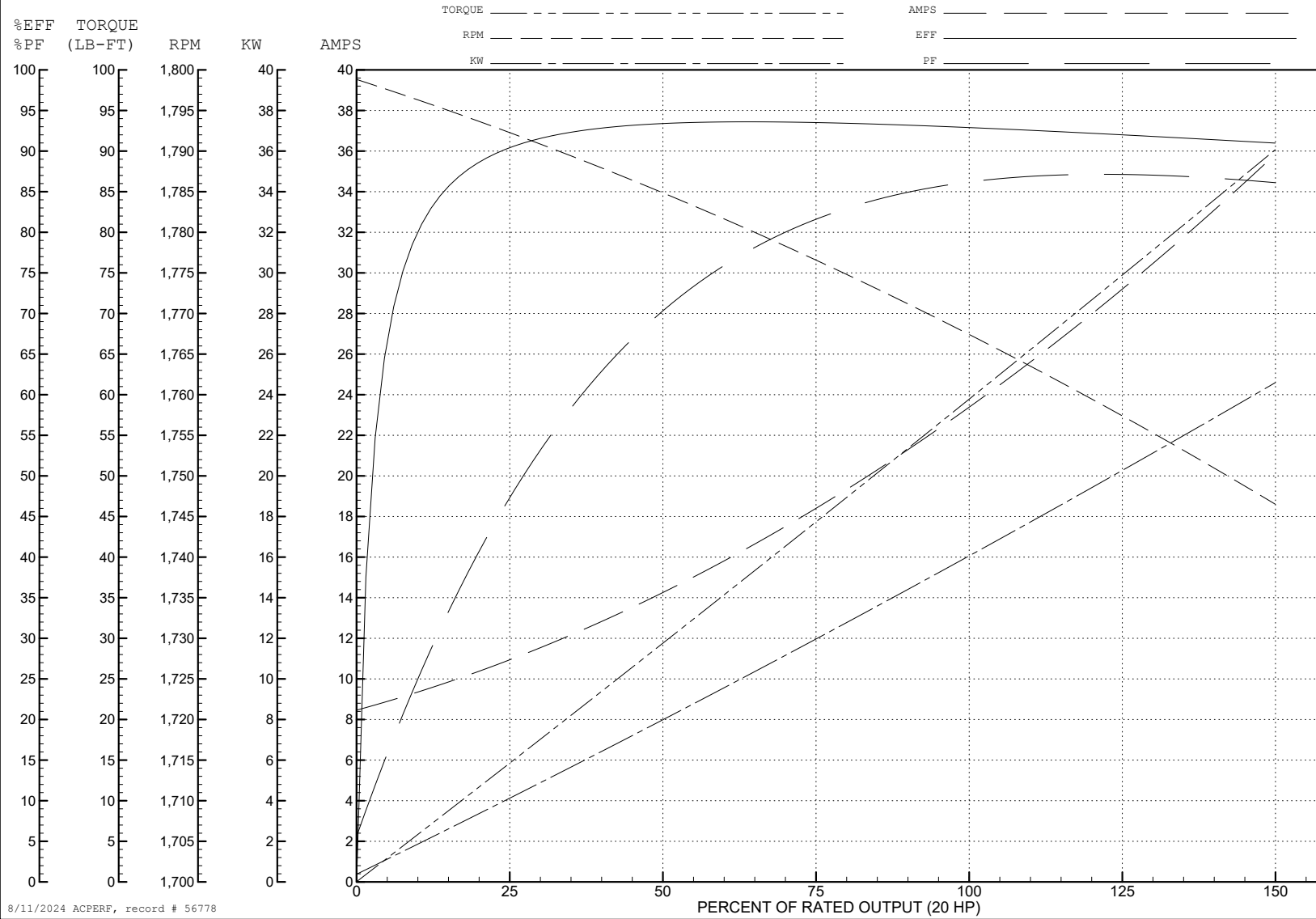
ABB Motors and Mechanical Inc.

WINDING # 39WGX952

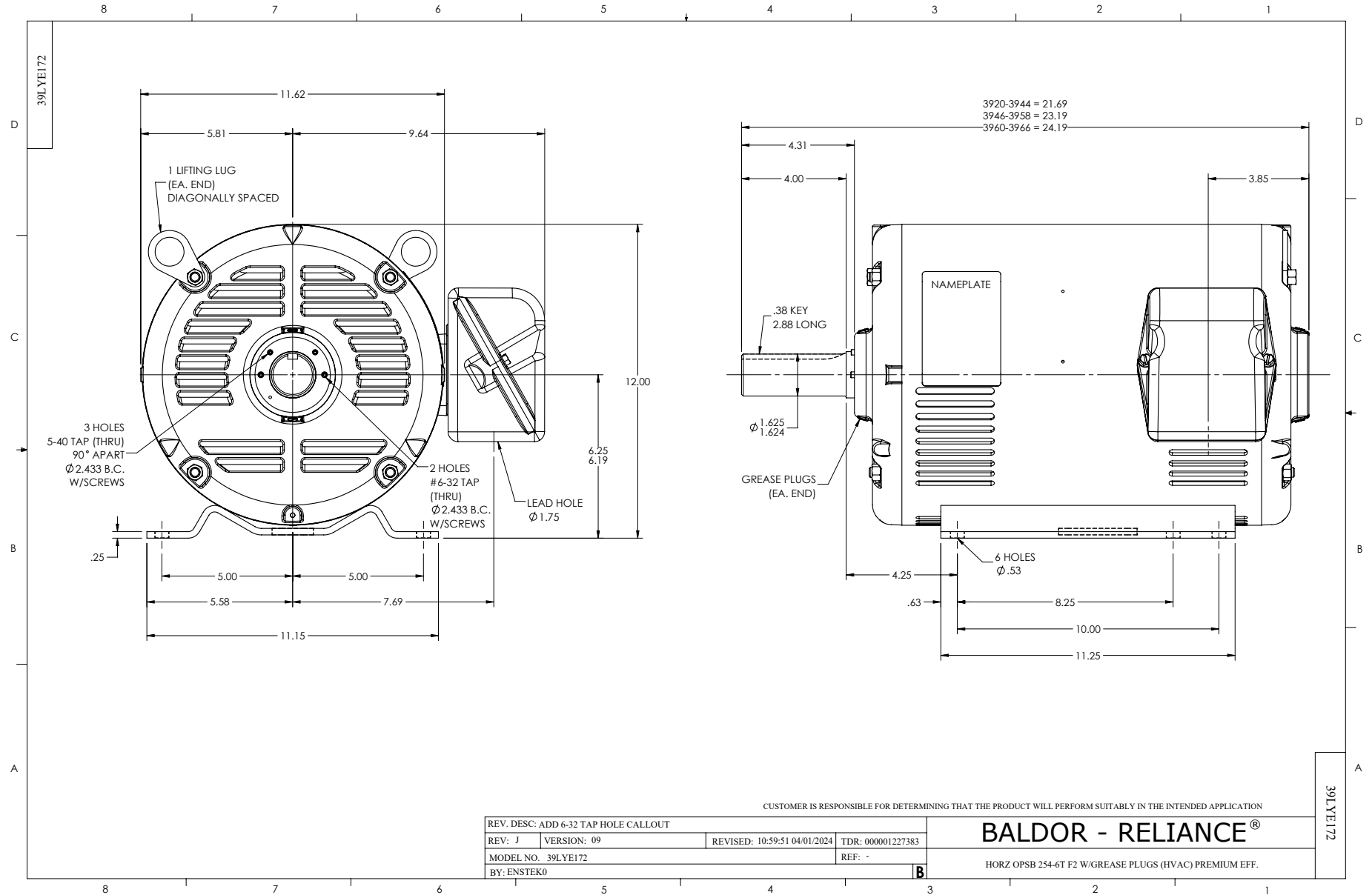
Typical performance - not guaranteed values.

20 HP 3 PH 60 HZ 1765 RPM 460 V 3948M

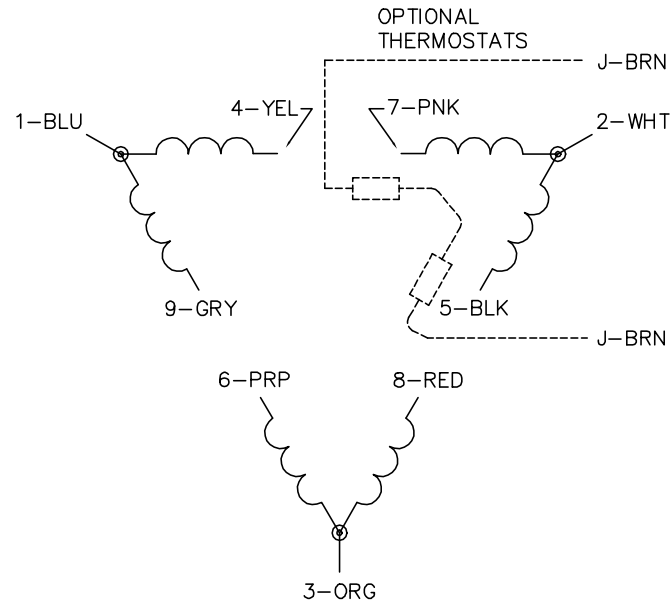
TORQUES (LB-FT): PO=187 PU=78.1 LR=112 LRA=156



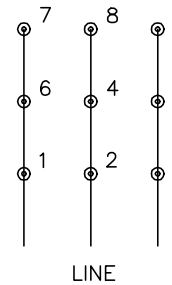
8/11/2024 ACPERF, record # 56778



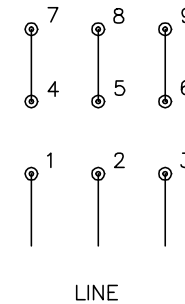
CD0180



LOW VOLTAGE  
(2D)



HIGH VOLTAGE  
(1D)



NOTES:

1. INTERCHANGE ANY TWO LINE LEADS TO REVERSE ROTATION.
2. OPTIONAL THERMOSTATS ARE PROVIDED WHEN SPECIFIED.
3. ACTUAL NUMBER OF INTERNAL PARALLEL CIRCUITS MAY BE A MULTIPLE OF THOSE SHOWN ABOVE.
4. LEAD COLORS ARE OPTIONAL. LEADS MUST ALWAYS BE NUMBERED AS SHOWN.

CD0180

REV. DESC: ADD CLASS CONN00000007		
REV. LTR: D	VERSION: 01	TDR: 000001099922
FILE: \AAA\00005\148	REVISED: 10:25:29 02/19/2019	BY: ENBRIRO
MTL: -	© □	

**BALDOR - RELIANCE®**

3PH, DV, 9 LEADS, DELTA CONNECTION

SH 1 of 1