



Customer information packet

EFM4404T

75HP, 1185RPM, 3PH, 60HZ, 405T, TEFC, FOOT, F2

Class - None

Division - Not Applicable

Specifications

Enclosure	TEFC
Frame	405T
Frame Material	Iron
Frequency	60.00 Hz
Haz Area Class and Group	None
Haz Area Division	Not Applicable
Motor Letter Type	Three Phase
Output @ Frequency	75.000 HP @ 60 HZ
Phase	3
Synchronous Speed @ Frequency	1200 RPM @ 60 HZ
Voltage @ Frequency	230.0 V @ 60 HZ 460.0 V @ 60 HZ
Agency Approvals	CCSAUSEEV
Ambient Temperature	40 °C
Auxillary Box	No Auxillary Box
Base Indicator	Rigid
Bearing Grease Type	Polyrex EM (-20F +300F)
Current @ Voltage	174.000 A @ 230.0 V 190.000 A @ 208.0 V 86.900 A @ 460.0 V
Design Code	B
Drip Cover	No Drip Cover
Duty Rating	CONT
Efficiency @ 100% Load	95.0 %
Feedback Device	NO FEEDBACK
Heater Indicator	No Heater
High Voltage Full Load Amps	86.9 a
Insulation Class	F
Inverter Code	Inverter Ready
IP Rating	NONE
KVA Code	G
Lifting Lugs	Standard Lifting Lugs

Part detail

Revision	M
Type	AC
Mech. spec.	
Base	
Status	PRD/A
Elec. spec.	A40WG0770
Layout	617429-629
Eff. date	09-04-2024
CD Diagram	416820-002
Poles	06
Leads	3#2,6#4
Proprietary	False
Created date	06-07-2014

Motor Lead Quantity/Wire Size	3 @ 2 AWG
Motor Standards	NEMA
Motor Type	A40064M
Mounting Arrangement	F2
Number of Poles	6
Overall Length	38.04 IN
Power Factor	85
Product Family	General Industrial
Pulley End Bearing Type	Ball
Pulley Face Code	Standard
Service Factor	1.15
Shaft Diameter	2.875 IN
Shaft Ground Indicator	No Shaft Grounding
Shaft Rotation	Reversible
Shaft Slinger Indicator	No Slinger
Speed	1185 rpm
Speed Code	Single Speed
Starting Method	Direct on line
Thermal Device - Bearing	None
Thermal Device - Winding	None

Nameplate

NP2349L

SPEC NO.	A40-6087-1503	CAT.NO.	EFM4404T	FRAME	405T				
HP	75	VOLTS	230/460	PHASE	3	DESIGN	B	TYPE	P
RPM	1185	AMPS	174/86.9	HZ	60	AMB	40	SF	1.15
DRIVE END BEARING	80BC03J30X	DUTY	CONT	INSUL.CLASS	F				
OPP D.E. BEARING	80BC03J30X	ENCL	TEFC	CODE	G				
SER.NO.		POWER FACTOR	85	NEMA-NOM-EFFICIENCY	95				
		MAX CORR KVAR	15	GUARANTEED EFFICIENCY	94.1				
		NEMA NOM/CSA QUOTED EFF							
		MOTOR WEIGHT							

NP2496L

MOBIL POLYREX EM

617429-629

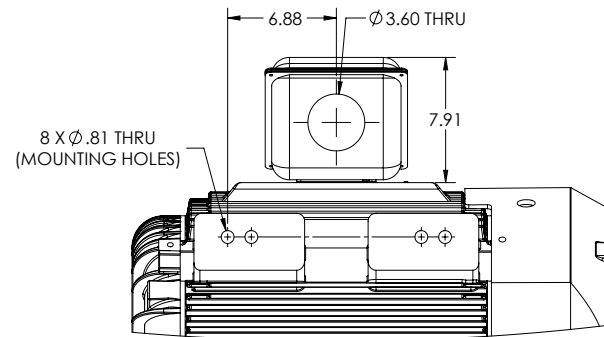
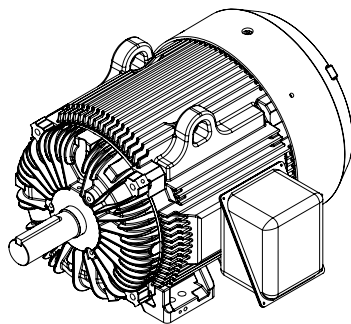
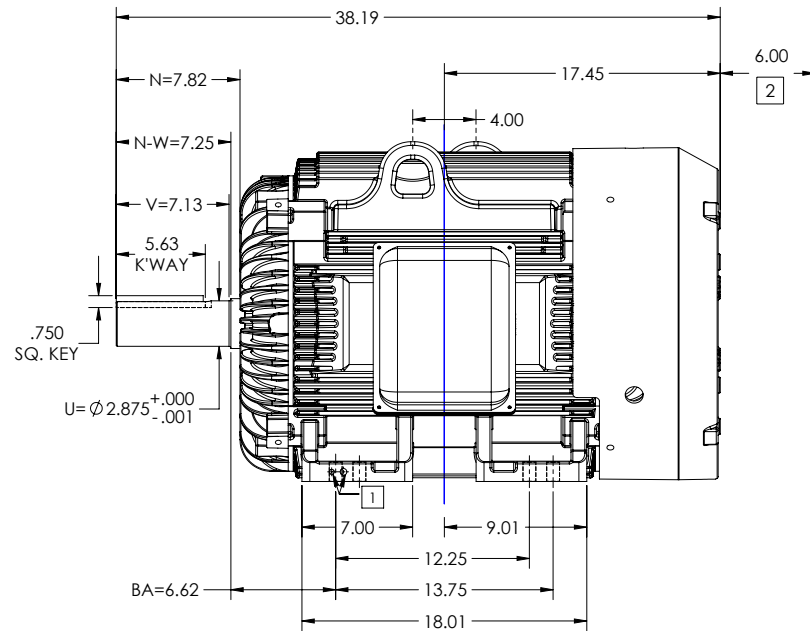
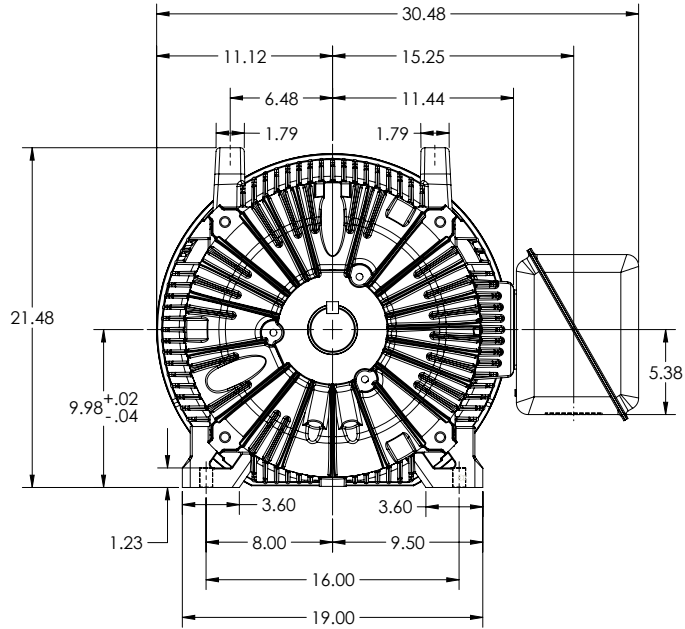
ENCLOSURE: TOTALLY ENCLOSED

MOUNTING: FOOT, F-2

DUTY MASTER ALTERNATING CURRENT MOTORS
SQUIRREL-CAGE INDUCTION

G405T/G404T FRAME MOUNTING HOLES

COOLING: FAN COOLED



SHEET NUMBER
1 OF 1
629-629-119

1. GROUND HOLES QTY 1 1/2-13 TAP; QTY 1 3/8-16 TAP
 2. OBSTRUCTION MUST NOT ENCR OACH ON AIR INLET
- IF MOUNTING CLEARANCE DETAILS ARE REQUIRED, CONSULT FACTORY.
MAX PERMISSIBLE SHAFT RUNOUT WHEN MEASURED AT END OF STANDARD SHAFT EXTENSION IS .003" T.I.R.

DIMENSIONS ARE IN INCHES
WEIGHT (LBS): 1350. MOTOR WEIGHTS MAY VARY BY 15% DEPENDING ON RATING.
CUSTOMER IS RESPONSIBLE FOR DETERMINING THAT MOTOR PERFORMANCE IS SUITABLE IN THE APPLICATION.

REV. DESC: UPDATED DS
REV: A | VERSION: 01 | REVISED: 10-32-51 10/25/2016 | TDR: 00001000817
MODEL NO. 617429-629 | BY: USJEDL | Material: | REF:

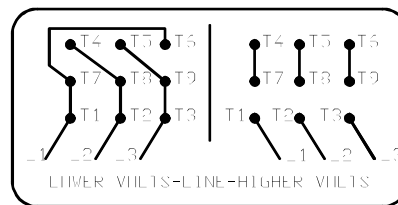
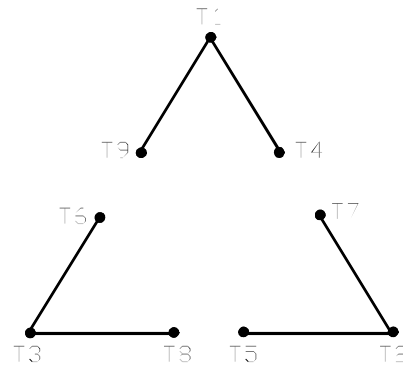
BALDOR

G405T/404T TEFC F2 FOOTED STD ENCLOSURE W/ STEEL BOX

617429-629

416820-002

A-C MOTOR
 CONNECTION DIAGRAM
 STANDARD 9 LEAD DELTA-CONNECTED



(N.P. 1575-B)

416820-002

REV. DESC: FONT CHANGE FOR PDF SEARCHABLE		
REV. LTR: A	VERSION: 01	TDR: 000001009382
FILE: \MGA\00000\661	REVISED: 02:46:19 02/13/2020	BY: MGHMTT
MTL: -	© □	

BALDOR - RELIANCE®

CONN DIAG - STANDARD 9 LEAD, DELTA-CONNECTED

SH 1 of 1