



---

# Customer information packet

## EFM4115T

50HP, 1775RPM, 3PH, 60HZ, 326T, 1272M, TEFC, F2

Class - None

Division - Not Applicable

## Specifications

Enclosure	TEFC
Frame	326T
Frame Material	Iron
Frequency	60.00 Hz
Motor Letter Type	Three Phase
Output @ Frequency	50.000 HP @ 60 HZ
Phase	3
Synchronous Speed @ Frequency	1800 RPM @ 60 HZ
Voltage @ Frequency	230.0 V @ 60 HZ 460.0 V @ 60 HZ
XP Class and Group	None
XP Division	Not Applicable
Agency Approvals	CSA CSA EEV NEMA PREMIUM UR
Ambient Temperature	40 °C
Auxillary Box	No Auxillary Box
Auxillary Box Lead Termination	None
Base Indicator	Rigid
Bearing Grease Type	Polyrex EM (-20F +300F)
Blower	None
Current @ Voltage	58.000 A @ 460.0 V 126.000 A @ 208.0 V 116.000 A @ 230.0 V
Design Code	A
Drip Cover	No Drip Cover
Duty Rating	CONT
Efficiency @ 100% Load	94.5 %
Electrically Isolated Bearing	Not Electrically Isolated
Feedback Device	NO FEEDBACK
Front Shaft Indicator	None

## Part detail

Revision	B
Type	AC
Mech. spec.	12C56
Base	
Status	PRD/A
Elec. spec.	12WGZ279
Layout	12LYC056
Eff. date	02-16-2022
CD Diagram	CD0180
Poles	04
Leads	9#6
Proprietary	False
Created date	02-03-2021

Heater Indicator	No Heater
High Voltage Full Load Amps	58.0 a
Insulation Class	F
Inverter Code	Inverter Ready
KVA Code	H
Lifting Lugs	Standard Lifting Lugs
Locked Bearing Indicator	Locked Bearing
Motor Lead Quantity/Wire Size	9 @ 6 AWG
Motor Lead Termination	Flying Leads
Motor Standards	NEMA
Motor Type	1272M
Mounting Arrangement	F2
Number of Poles	4
Overall Length	30.28 IN
Power Factor	85
Product Family	General Purpose
Pulley End Bearing Type	Ball
Pulley Face Code	Standard
Pulley Shaft Indicator	Standard
Rodent Screen	None
Service Factor	1.15
Shaft Diameter	2.125 IN
Shaft Ground Indicator	No Shaft Grounding
Shaft Rotation	Reversible
Shaft Slinger Indicator	Shaft Slinger
Speed	1775 rpm
Speed Code	Single Speed
Starting Method	Direct on line
Thermal Device - Bearing	None
Thermal Device - Winding	None
Vibration Sensor Indicator	No Vibration Sensor
Winding Thermal 1	None
Winding Thermal 2	None

**Nameplate**

**NP3443L**

<b>CAT.NO.</b>	EFM4115T	<b>CUST. P/N</b>				<b>ENCL</b>	<b>TEFC</b>
<b>SPEC.</b>	12C056Z279G2	<b>CC</b>	010A	<b>FRAME</b>	326T	<b>SER.NO.</b>	
<b>HP</b>	50	<b>CLASS</b>	F	<b>HZ</b>	60		
<b>R.P.M.</b>	1775	<b>PH</b>	3	<b>DES</b>	A		
<b>VOLTS</b>	230/460	<b>CODE</b>	H	<b>ODE BRG</b>	6311	<b>DE BRG</b>	6312
<b>AMPS</b>	116/58	<b>USABLE AT 208V</b>		126			
<b>RATING</b>	40C AMB-CONT	<b>NEMA NOM. EFF.</b>		94.5	<b>GREASE</b>	POLYREX EM	
<b>P.F.</b>	85	<b>SER.F.</b>	1.15	<b>VPWM INVERTER READY</b>			
	SFA 132/66						
<b>HTR-VOLTS</b>		<b>HTR-AMPS</b>		<b>HTR-WATTS</b>			

**AC Induction Motor Performance Data**

Record # 85607

Preliminary Data Sheet

Winding: 12WGZ279-R001		Type: 1272M		Enclosure: TEFC			
<b>Nameplate Data</b>			<b>460 V, 60 Hz: High Voltage Connection</b>				
Rated Output (HP)	50	Full Load Torque	147.8 LB-FT				
Volts	230/460	Start Configuration	direct on line				
Full Load Amps	116/58	Breakdown Torque	475 LB-FT				
R.P.M.	1775	Pull-up Torque	210 LB-FT				
Hz	60 Phase	3	Locked-rotor Torque	240 LB-FT			
NEMA Design Code	A	KVA Code	H	Starting Current	413 A		
Service Factor (S.F.)	1.15	No-load Current	20.8 A				
NEMA Nom. Eff.	94.5	Power Factor	85	Line-line Res. @ 25°C	0.114 Ω		
Rating - Duty	40C	AMB-CONT	Temp. Rise @ Rated Load				68°C
S.F. Amps	132/68	Temp. Rise @ S.F. Load				88°C	
			Locked-rotor Power Factor			29.7	
			Rotor inertia			9.59 lb-ft <sup>2</sup>	

**Load Characteristics 460 V, 60 Hz, 50 HP**

% of Rated Load	25	50	75	100	125	150	S.F.
Power Factor	52	73	82	86	87	87	87
Efficiency	91.5	94.4	94.8	94.6	94	93.2	94.1
Speed	1794	1788	1782	1776	1769	1761	1770
Line amperes	24.8	33.9	45.3	57.9	71.6	87.5	66.1

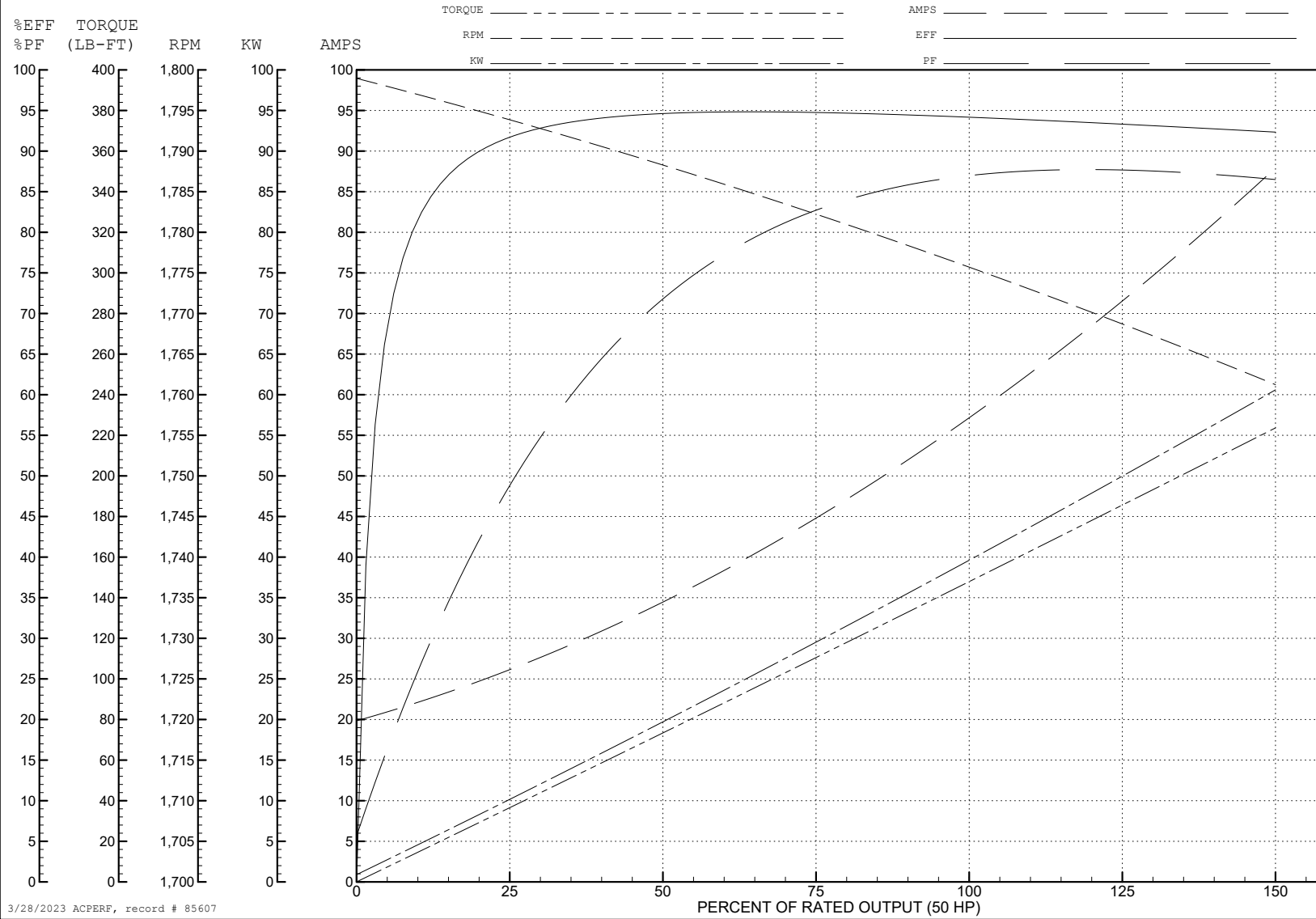
ABB Motors and Mechanical Inc.

WINDING # 12WGZ279

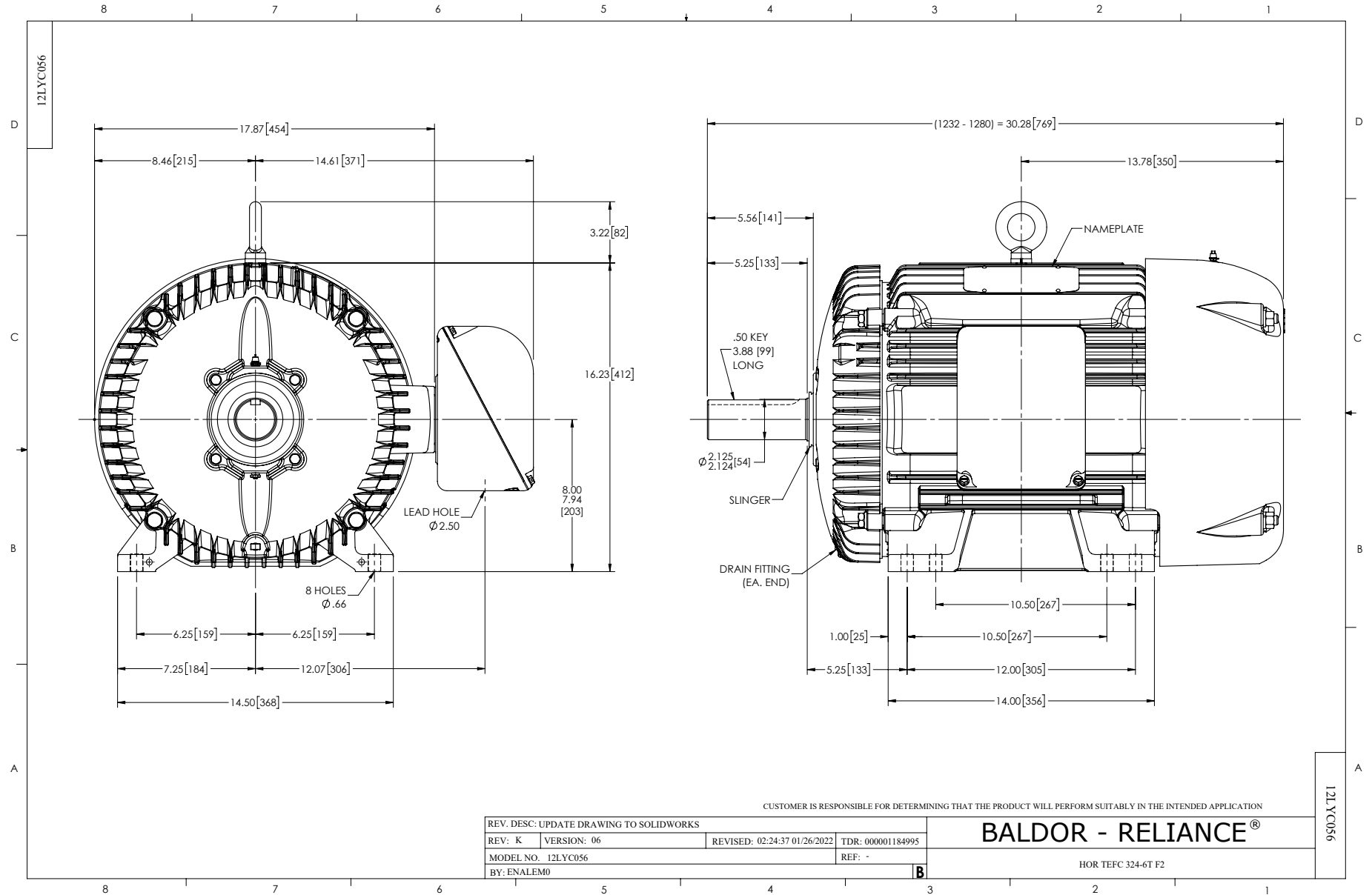
Typical performance - not guaranteed values.

50 HP 3 PH 60 HZ 1775 RPM 460 V 1272M

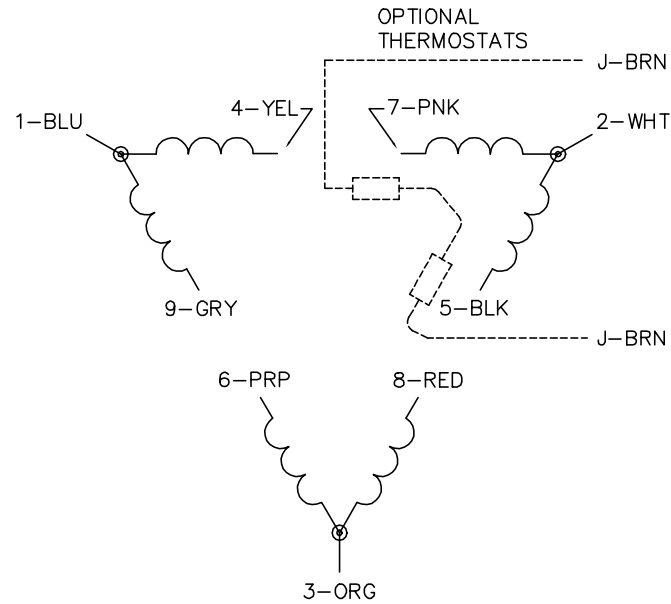
TORQUES (LB-FT): PO=475 PU=210 LR=240 LRA=413



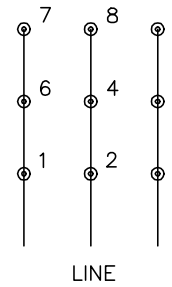
3/28/2023 ACPERF, record # 85607



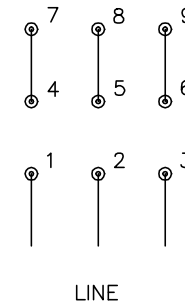
CD0180



LOW VOLTAGE  
(2D)



HIGH VOLTAGE  
(1D)



NOTES:

1. INTERCHANGE ANY TWO LINE LEADS TO REVERSE ROTATION.
2. OPTIONAL THERMOSTATS ARE PROVIDED WHEN SPECIFIED.
3. ACTUAL NUMBER OF INTERNAL PARALLEL CIRCUITS MAY BE A MULTIPLE OF THOSE SHOWN ABOVE.
4. LEAD COLORS ARE OPTIONAL. LEADS MUST ALWAYS BE NUMBERED AS SHOWN.

CD0180

REV. DESC: ADD CLASS CONN00000007		
REV. LTR: D	VERSION: 01	TDR: 000001099922
FILE: \AAA\00005\148	REVISED: 10: 25: 29 02/19/2019	BY: ENBRIRO
MTL: -	© □	

**BALDOR - RELIANCE®**

3PH, DV, 9 LEADS, DELTA CONNECTION

SH 1 of 1