

ABB BALDOR RELIANCE III

Customer information packet

EFM4114T

50HP, 3540RPM, 3PH, 60HZ, 326TS, 1252M, TEFC, F

Class - None

Division - Not Applicable

Specifications

| | |
|---------------------------------------|--|
| Enclosure | TEFC |
| Frame | 326TS |
| Frame Material | Iron |
| Frequency | 60.00 Hz |
| Haz Area Class and Group | None |
| Haz Area Division | Not Applicable |
| Motor Letter Type | Three Phase |
| Output @ Frequency | 50.000 HP @ 60 HZ |
| Phase | 3 |
| Synchronous Speed @ Frequency | 3600 RPM @ 60 HZ |
| Voltage @ Frequency | 460.0 V @ 60 HZ 230.0 V @ 60 HZ |
| Agency Approvals | CURUSEEV NEMA PREMIUM NEMA PREMIUM (OLD LOGO) |
| Ambient Temperature | 40 °C |
| Auxiliary Box | NO AUXILLARY BOX |
| Auxiliary Box Lead Termination | None |
| Base Indicator | Rigid |
| Bearing Grease Type | Polyrex EM (-20F +300F) |
| Blower | None |
| Current @ Voltage | 122.000 A @ 208.0 V 56.000 A @ 460.0 V 112.000 A @ 230.0 V |
| Design Code | A |
| Drip Cover | No Drip Cover |
| Duty Rating | CONT |
| Efficiency @ 100% Load | 93.0 % |
| Electrically Isolated Bearing | Not Electrically Isolated |
| Feedback Device | NO FEEDBACK |
| Front Face Code | Standard |
| Front Shaft Indicator | None |

Part Detail

| | |
|---------------------|------------|
| Revision | U |
| Type | AC |
| Mech. spec. | 12E347 |
| Base | |
| Status | PRD/A |
| Elec. spec. | 12WGY291 |
| Layout | 12LYE347 |
| Eff. date | 06-27-2024 |
| CD Diagram | CD0180 |
| Poles | 02 |
| Leads | 9#8 |
| Proprietary | False |
| Created date | 12-01-2010 |

| | |
|--------------------------------------|-----------------------|
| Heater Indicator | No Heater |
| High Voltage Full Load Amps | 56.0 a |
| Insulation Class | F |
| Inverter Code | Inverter Ready |
| IP Rating | NONE |
| KVA Code | H |
| Lifting Lugs | Standard Lifting Lugs |
| Locked Bearing Indicator | Locked Bearing |
| Motor Lead Exit | Ko Box |
| Motor Lead Quantity/Wire Size | 9 @ 8 AWG |
| Motor Lead Termination | Flying Leads |
| Motor Standards | NEMA |
| Motor Type | 1252M |
| Mounting Arrangement | F2 |
| Number of Poles | 2 |
| Overall Length | 28.84 IN |
| Power Factor | 90 |
| Product Family | General Purpose |
| Pulley End Bearing Type | Ball |
| Pulley Face Code | Standard |
| Pulley Shaft Indicator | Standard |
| Rodent Screen | None |
| Service Factor | 1.15 |
| Shaft Diameter | 1.875 IN |
| Shaft Extension Location | Pulley End |
| Shaft Ground Indicator | No Shaft Grounding |
| Shaft Rotation | Reversible |
| Shaft Slinger Indicator | Shaft Slinger |
| Speed | 3540 rpm |
| Speed Code | Single Speed |
| Starting Method | Direct on line |
| Thermal Device - Bearing | None |
| Thermal Device - Winding | None |
| Vibration Sensor Indicator | No Vibration Sensor |

Winding Thermal 1

None

Winding Thermal 2

None

Nameplate

NP3443L

| | | | | | | | |
|------------------|--------------|-----------------------|------|----------------------------|---------------|----------------|------|
| CAT.NO. | EFM4114T | CUST. P/N | | | | ENCL | TEFC |
| SPEC. | 12E347Y291G1 | CC | 010A | FRAME | 326TS | SER.NO. | |
| HP | 50 | CLASS | F | HZ | 60 | | |
| R.P.M. | 3540 | PH | 3 | DES | A | | |
| VOLTS | 230/460 | CODE | H | ODE BRG | 6311 | DE BRG | 6312 |
| AMPS | 112/56 | | | | | | |
| RATING | 40C AMB-CONT | NEMA NOM. EFF. | | 93 | GREASE | POLYREX EM | |
| P.F. | 90 | SER.F. | 1.15 | VPWM INVERTER READY | | | |
| HTR-VOLTS | | HTR-AMPS | | HTR-WATTS | | | |

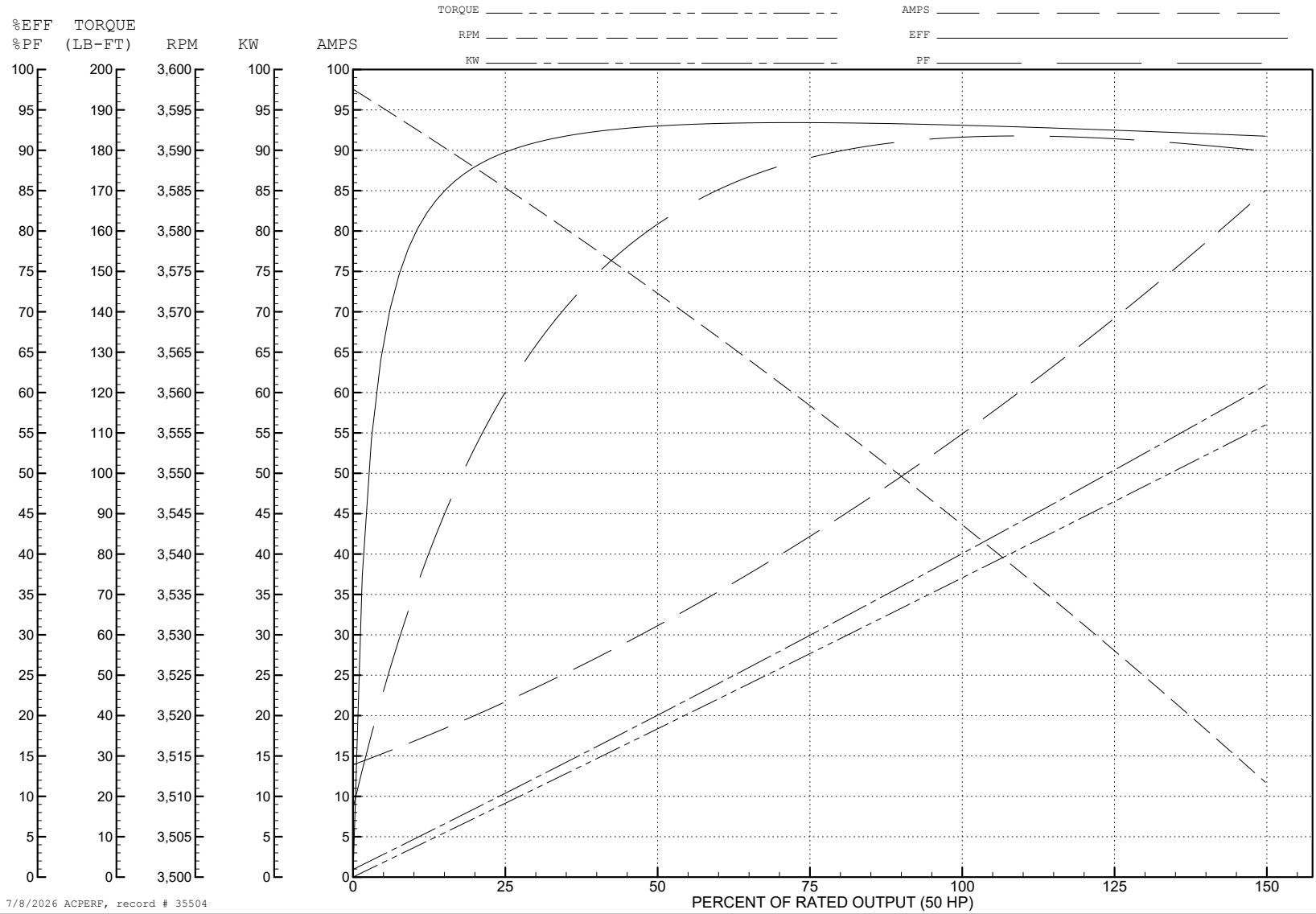
ABB Motors and Mechanical Inc.

WINDING # 12WGY291

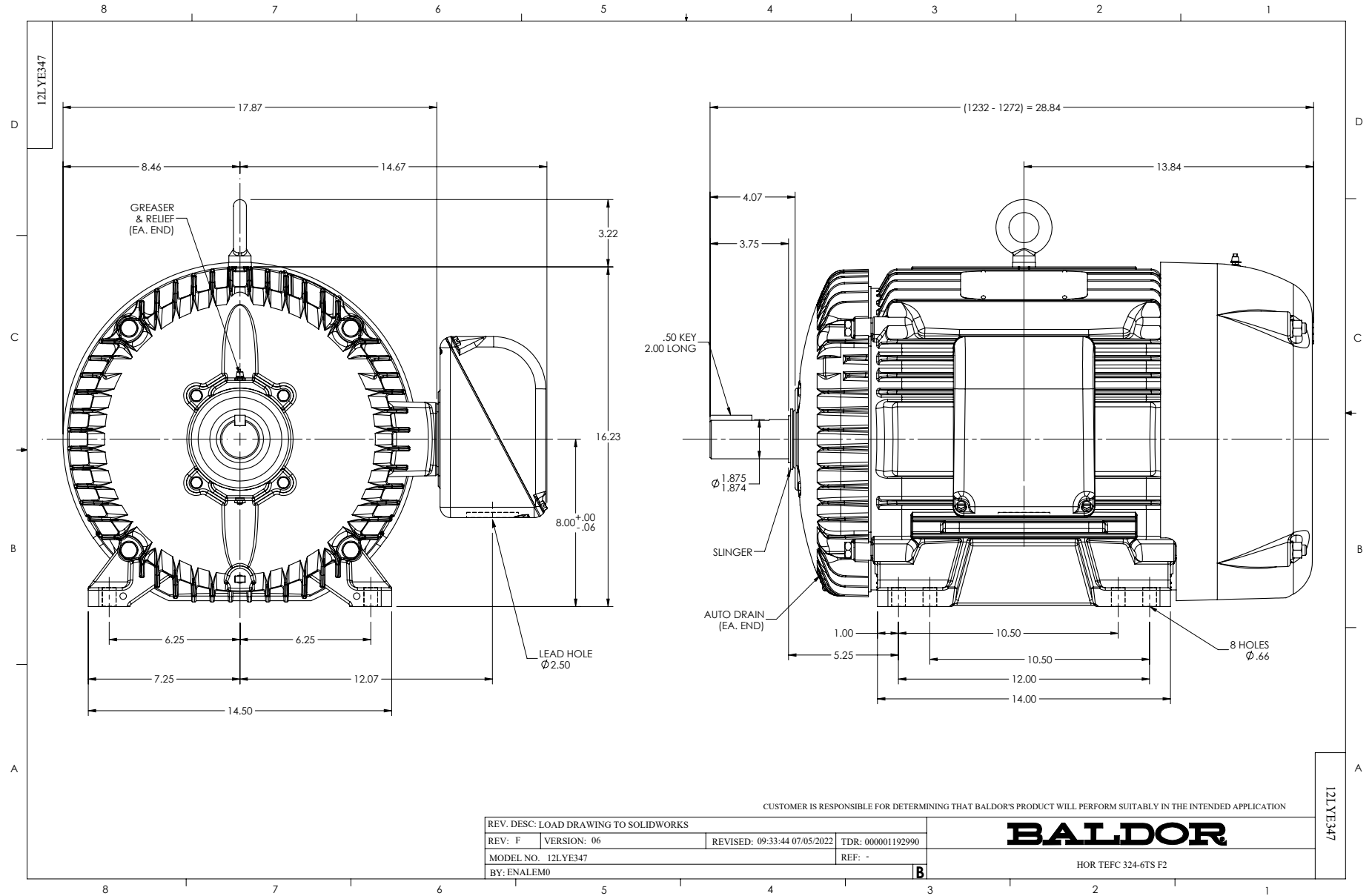
Typical performance - not guaranteed values.

50 HP 3 PH 60 HZ 3540 RPM 460 V 1252M

TORQUES (LB-FT): PO=292 PU=112 LR=139 LRA=408



7/8/2026 ACPERF, record # 35504



CD0180



LOW VOLTAGE
(2D)



HIGH VOLTAGE
(1D)



NOTES:

1. INTERCHANGE ANY TWO LINE LEADS TO REVERSE ROTATION.
2. OPTIONAL THERMOSTATS ARE PROVIDED WHEN SPECIFIED.
3. ACTUAL NUMBER OF INTERNAL PARALLEL CIRCUITS MAY BE A MULTIPLE OF THOSE SHOWN ABOVE.
4. LEAD COLORS ARE OPTIONAL. LEADS MUST ALWAYS BE NUMBERED AS SHOWN.

CD0180

| | | |
|-----------------------------------|------------------------------|-------------------|
| REV. DESC: ADD CLASS CONN00000007 | | |
| REV. LTR: D | VERSION: 01 | TDR: 000001099922 |
| FILE: \AAA\00005\148 | REVISED: 10:25:29 02/19/2019 | BY: ENBRIRO |
| MTL: - | © □ | |

BALDOR - RELIANCE®

3PH, DV, 9 LEADS, DELTA CONNECTION

SH 1 of 1